

TOSHIBA BIPOLAR LINEAR INTEGRATED CIRCUIT SILICON MONOLITHIC

**TA75072P, TA75072S, TA75072F****DUAL OPERATIONAL AMPLIFIER**

The TA75072P, TA75072S and TA75072F are J-FET input low-noise operational amplifiers with low input bias and offset current, fast slew rate and wide bandwidth.

The TA75072P is pin compatible with the TA75458P and 1458. The TA75072S is single-in-line package.

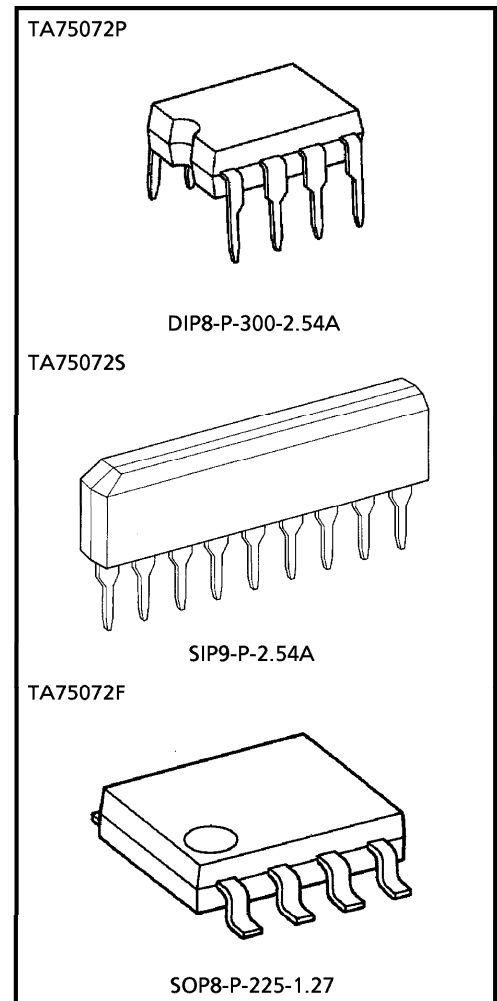
It is possible to exchange the position of 9 pin for 1 pin because of pin connection being symmetric.

The TA75072F is mini-flat package.

The TA75072P series are excellent choice for active filters, integrators, buffers and sample-and-hold circuits.

**FEATURES**

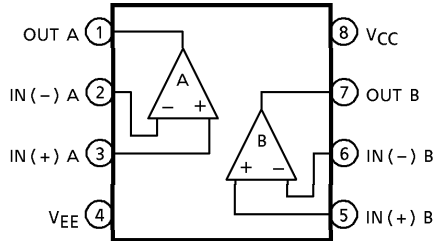
- Low Input Bias Current : 200pA MAX.
- Low Input Offset Current : 50pA MAX.
- High Slew Rate : 13V /  $\mu$ s
- Low Noise : 18nV /  $\sqrt{\text{Hz}}$
- Wide Bandwidth : 3MHz
- Wide Supply Voltage Range :  $\pm 4 \sim \pm 18$ V
- Internal Frequency Compensation
- Output Short Circuit Protection



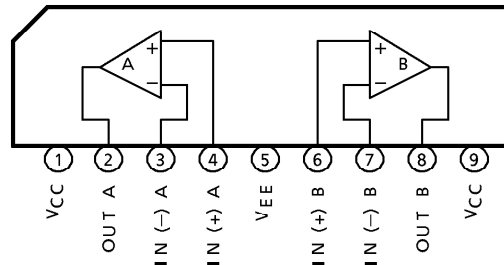
Weight  
 DIP8-P-300-2.54A : 0.5g (Typ.)  
 SIP9-P-2.54A : 0.9g (Typ.)  
 SOP8-P-225-1.27 : 0.1g (Typ.)

**PIN CONNECTION (TOP VIEW)**

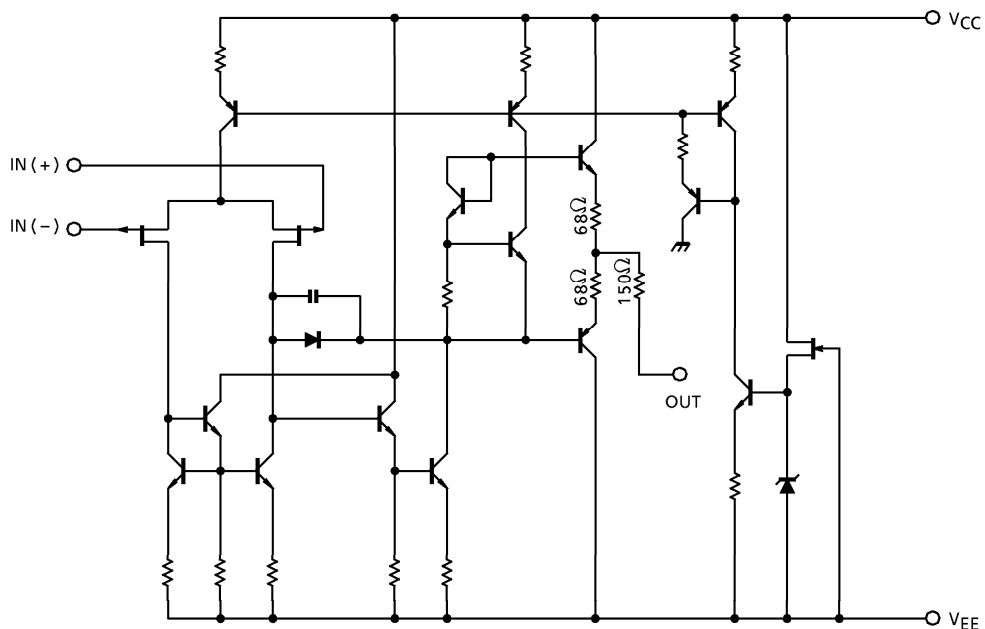
TA75072P, TA75072F



TA75072S



**EQUIVALENT CIRCUIT**



**MAXIMUM RATINGS (Ta = 25°C)**

CHARACTERISTIC	SYMBOL	RATING	UNIT
Supply Voltage	V <sub>CC</sub>	+ 18	V
	V <sub>EE</sub>	- 18	
Differential Input Voltage	DV <sub>IN</sub>	± 30	V
Input Voltage	V <sub>IN</sub>	± 15	V
Power Dissipation	TA75072P	P <sub>D</sub>	500
	TA75072S		
	TA75072F		
Operating Temperature	T <sub>opr</sub>	- 40~85	°C
Storage Temperature	T <sub>stg</sub>	- 55~125	°C

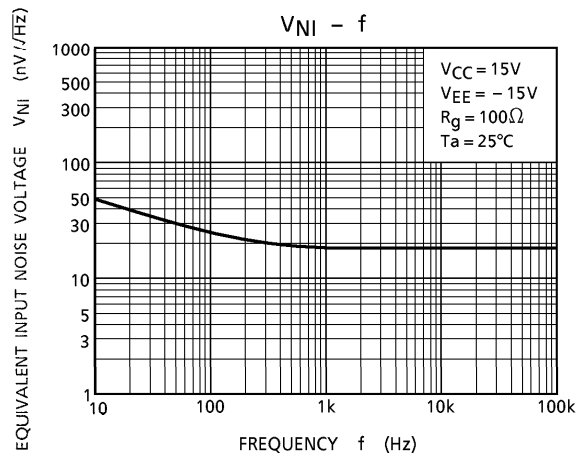
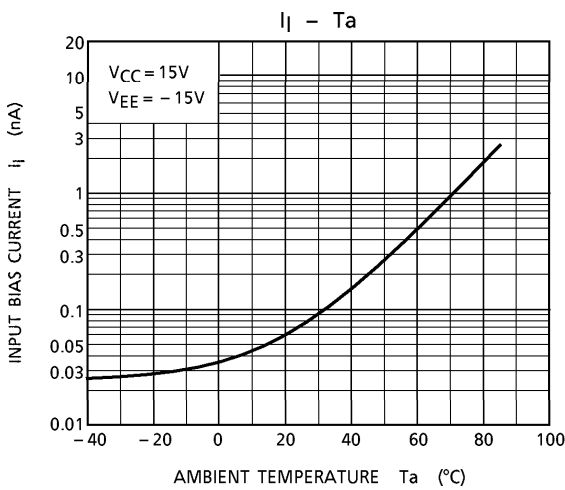
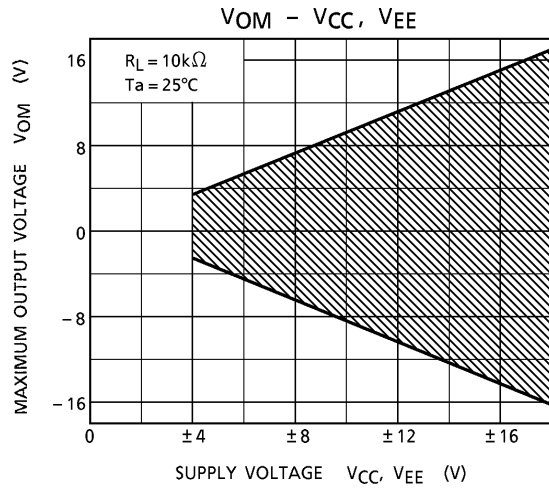
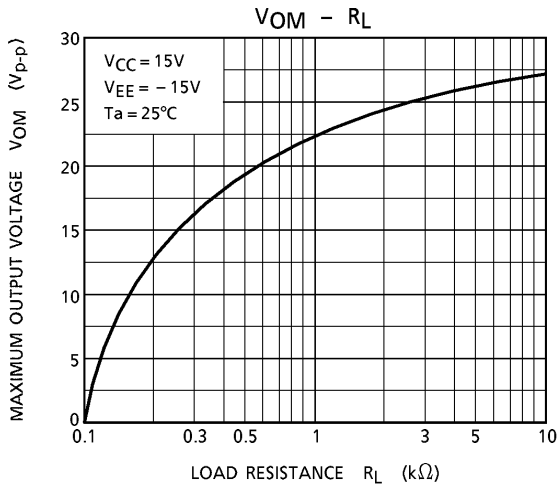
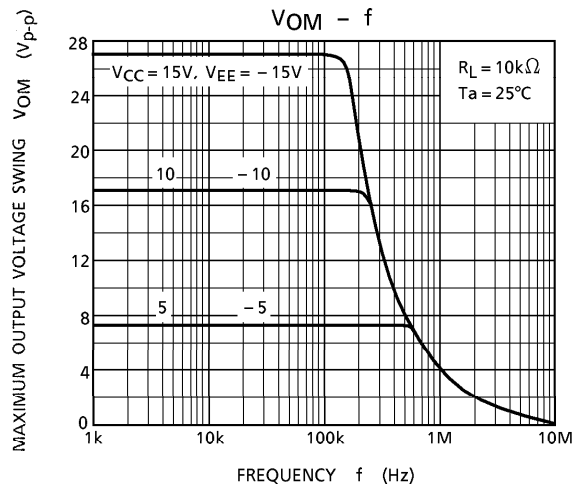
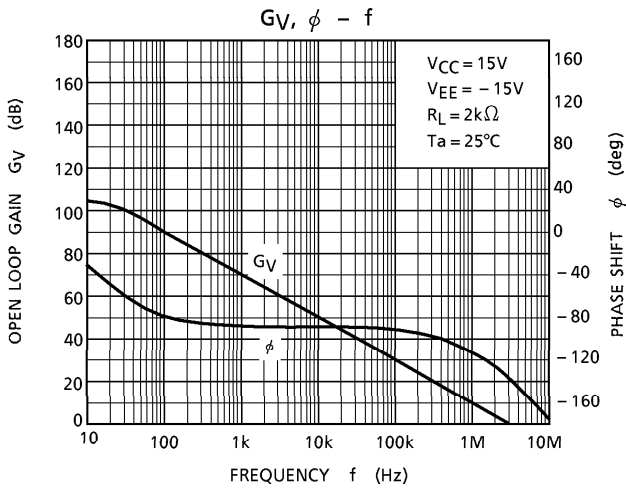
ELECTRICAL CHARACTERISTICS ( $V_{CC} = 15V$ ,  $V_{EE} = -15V$ ,  $T_a = 25^\circ C$ )

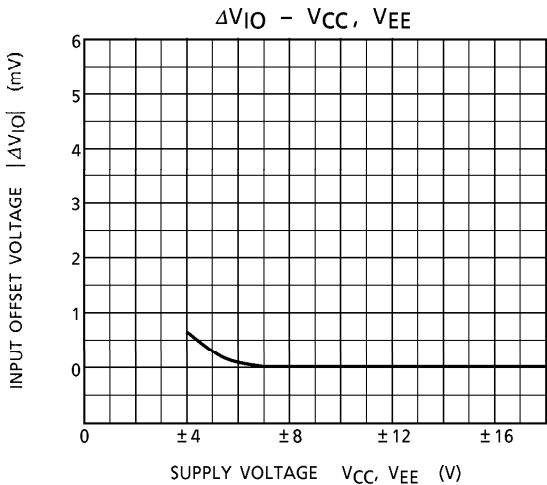
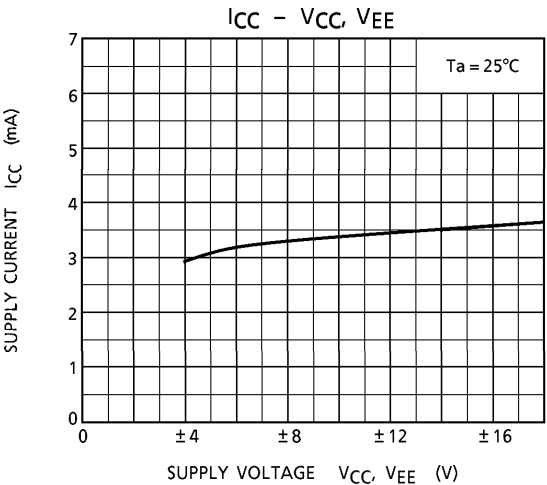
CHARACTERISTIC	SYMBOL	TEST CIR-CUIT	TEST CONDITION	MIN.	TYP.	MAX.	UNIT
Input Offset Voltage	$V_{IO}$	—	$R_g \leq 10k\Omega$	—	3	10	mV
TC Of Input Offset Voltage	$TCV_{IO}$	—	—	—	10	—	$\mu V / ^\circ C$
Input Offset Current	$I_{IO}$	—	—	—	5	50	pA
Input Bias Current	$I_I$	—	—	—	30	200	pA
Common Mode Input Voltage	$CMV_{IN}$	—	—	$\pm 11$	$\pm 12$	—	V
Maximum Output Voltage	$V_{OM}$	—	$R_L = 10k\Omega$	24	—	—	$V_{p-p}$
	$V_{OMR}$	—	$R_L = 2k\Omega$	20	24	—	
Voltage Gain (Open Loop)	$G_V$	—	$V_{OUT} = \pm 10V$ , $R_L = 2k\Omega$	25	200	—	V / mV
Unity Gain Cross Frequency	$f_T$	—	Open Loop, $R_L = 10k\Omega$	—	3	—	MHz
Input Resistance	$R_{IN}$	—	—	—	$10^{12}$	—	$\Omega$
Common Mode Input Signal Rejection Ratio	CMRR	—	$R_g \leq 10k\Omega$	70	76	—	dB
Supply Voltage Rejection Ratio	SVRR	—	$R_g \leq 10k\Omega$	70	76	—	dB
Supply Current	$I_{CC}$ , $I_{EE}$	—	Non load	—	2.8	5.0	mA
Cross Talk		—	—	—	-120	—	dB

OPERATING CHARACTERISTICS ( $V_{CC} = 15V$ ,  $V_{EE} = -15V$ ,  $T_a = 25^\circ C$ )

CHARACTERISTIC	SYMBOL	TEST CIR-CUIT	TEST CONDITION	MIN.	TYP.	MAX.	UNIT	
Slew Rate	SR	—	$V_{IN} = 10V_{p-p}$ , $R_L = 2k\Omega$ $C_L = 100pF$	—	13	—	$V / \mu s$	
Equivalent Input Noise Voltage	$V_{NI}$	—	$R_S = 100\Omega$	$f = 1kHz$	—	18	—	$nV / \sqrt{Hz}$
				$f = 10Hz \sim 10kHz$	—	4	—	$\mu V_{rms}$
Equivalent Input Noise Current	$I_{NI}$	—	$R_S = 100\Omega$ , $f = 1kHz$	—	0.01	—	$pA / \sqrt{Hz}$	
Total Harmonic Distortion	THD	—	$V_{OUT} = 10V_{rms}$ , $R_S \leq 1k\Omega$ $R_L \geq 2k\Omega$ , $f = 1kHz$	—	0.01	—	%	

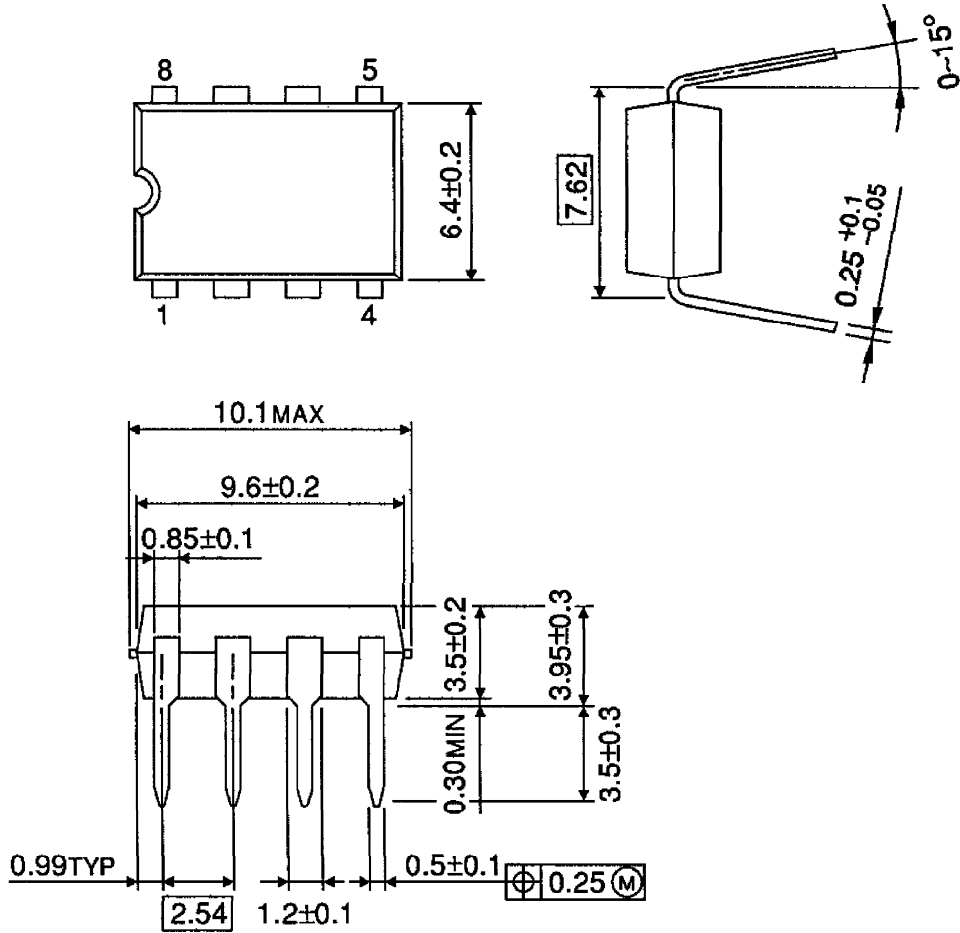
CHARACTERISTICS





**PACKAGE DIMENSIONS**  
DIP8-P-300-2.54A

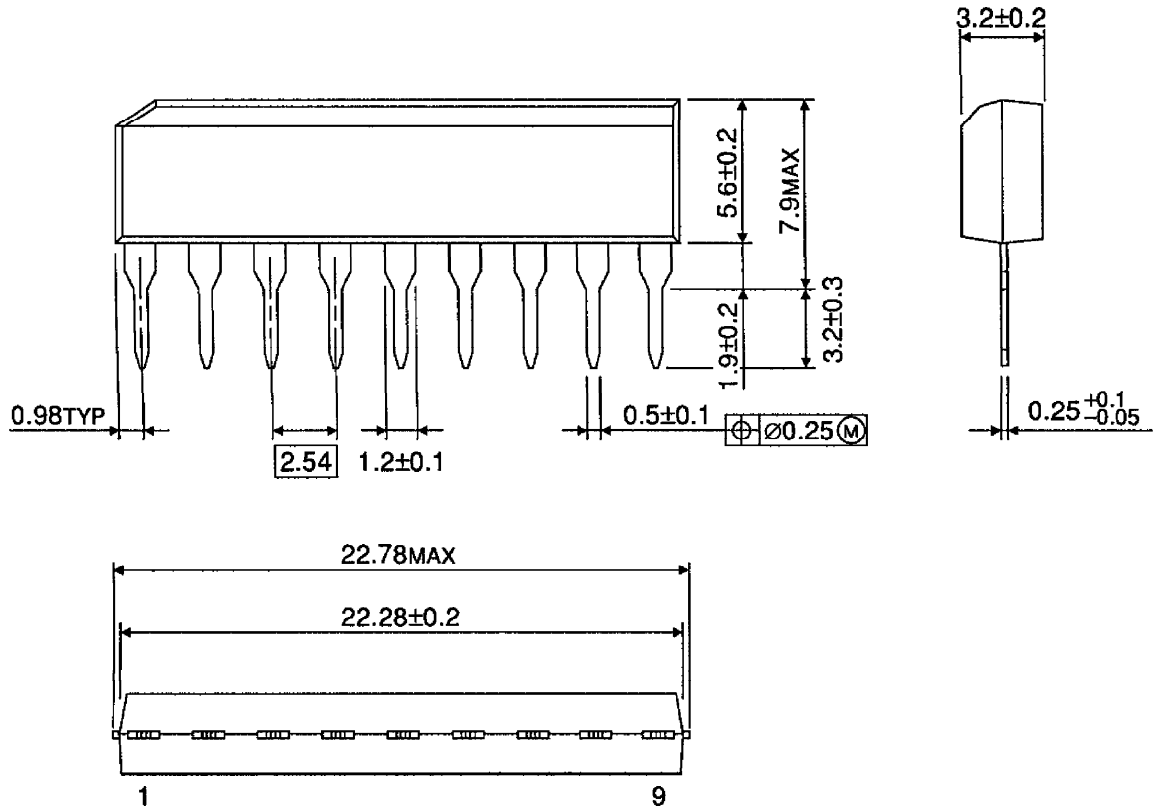
Unit : mm



Weight : 0.5g (Typ.)

**PACKAGE DIMENSIONS**  
SIP9-P-2.54A

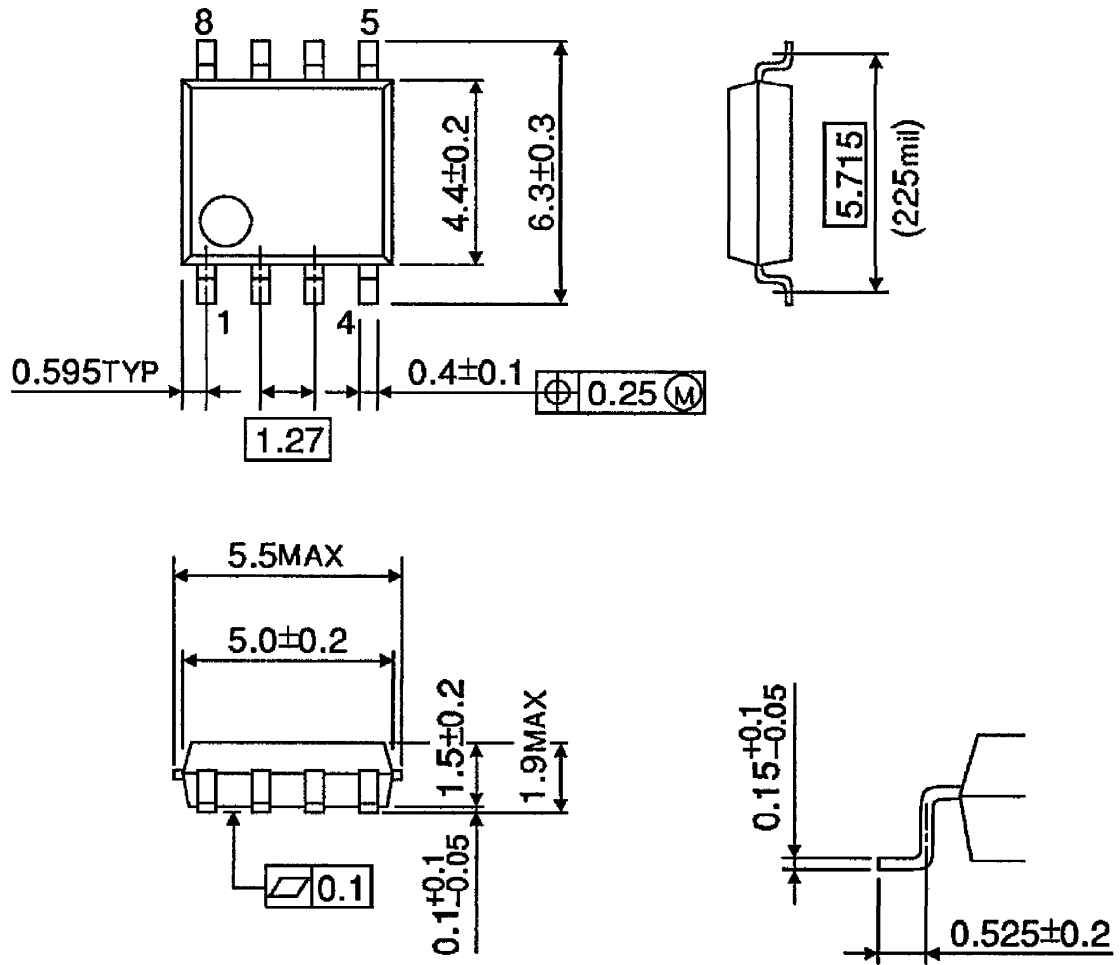
Unit : mm



Weight : 0.9g (Typ.)

PACKAGE DIMENSIONS  
SOP8-P-225-1.27

Unit : mm



Weight : 0.1g (Typ.)



**RESTRICTIONS ON PRODUCT USE**

000707EBA

- TOSHIBA is continually working to improve the quality and reliability of its products. Nevertheless, semiconductor devices in general can malfunction or fail due to their inherent electrical sensitivity and vulnerability to physical stress. It is the responsibility of the buyer, when utilizing TOSHIBA products, to comply with the standards of safety in making a safe design for the entire system, and to avoid situations in which a malfunction or failure of such TOSHIBA products could cause loss of human life, bodily injury or damage to property. In developing your designs, please ensure that TOSHIBA products are used within specified operating ranges as set forth in the most recent TOSHIBA products specifications. Also, please keep in mind the precautions and conditions set forth in the "Handling Guide for Semiconductor Devices," or "TOSHIBA Semiconductor Reliability Handbook" etc..
- The TOSHIBA products listed in this document are intended for usage in general electronics applications (computer, personal equipment, office equipment, measuring equipment, industrial robotics, domestic appliances, etc.). These TOSHIBA products are neither intended nor warranted for usage in equipment that requires extraordinarily high quality and/or reliability or a malfunction or failure of which may cause loss of human life or bodily injury ("Unintended Usage"). Unintended Usage include atomic energy control instruments, airplane or spaceship instruments, transportation instruments, traffic signal instruments, combustion control instruments, medical instruments, all types of safety devices, etc.. Unintended Usage of TOSHIBA products listed in this document shall be made at the customer's own risk.
- The products described in this document are subject to the foreign exchange and foreign trade laws.
- The information contained herein is presented only as a guide for the applications of our products. No responsibility is assumed by TOSHIBA CORPORATION for any infringements of intellectual property or other rights of the third parties which may result from its use. No license is granted by implication or otherwise under any intellectual property or other rights of TOSHIBA CORPORATION or others.
- The information contained herein is subject to change without notice.