

**SPECIFICATIONS**

**Header Connector**

**Mechanical**

Contact Retention Force: 10N min.

**HM25 Series**

**VERTICAL, T/H Type Plug**

**4.2mm [.165"] Pitch**

**Electrical**

Voltage Rating: 250V

Current Rating: 6.0A per pin

Dielectric Withstanding Voltage: 1500V AC

Insulation Resistance: 1000MΩ min.

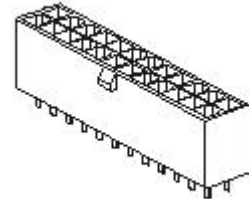
**Physical**

Housing: Thermoplastic, UL 94V-2 rating in natural color

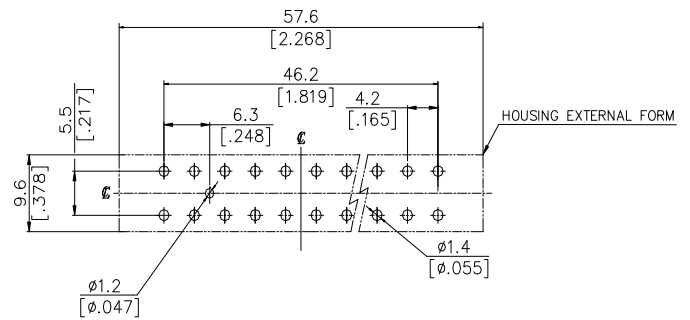
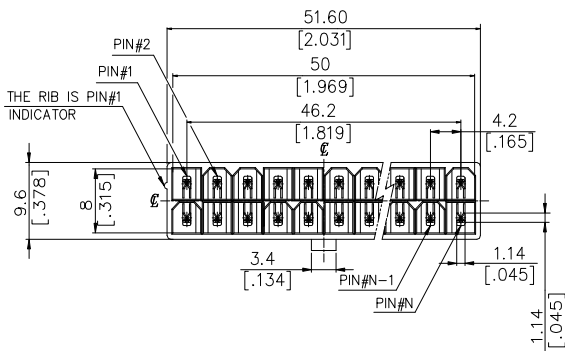
Contact: Copper Alloy

Plating: See "ORDERING INFORMATION"

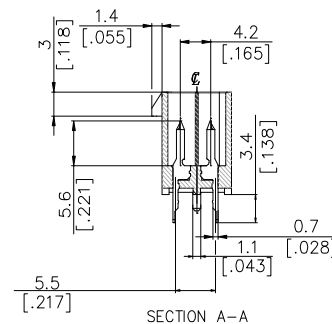
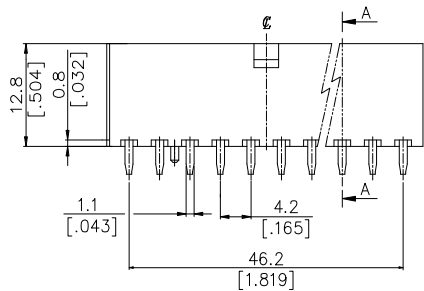
Operating Temperature: -55°C to +105°C



**DRAWING**



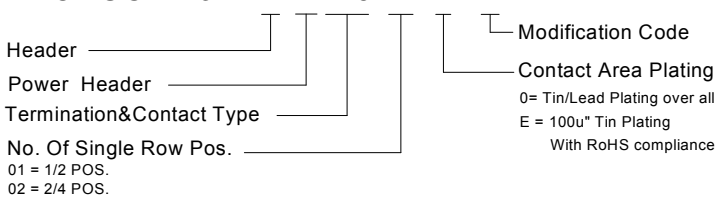
RECOMMENDED P.C.B. HOLES LAYOUT



SECTION A-A

**ORDERING INFORMATION**

PRODUCT No. : H M 2 5 \*\* \* - \*\*



12 = 12/24 POS.