

Technical Data  
Data Sheet 3118, Rev. -

## 30BQ015 SCHOTTKY RECTIFIER

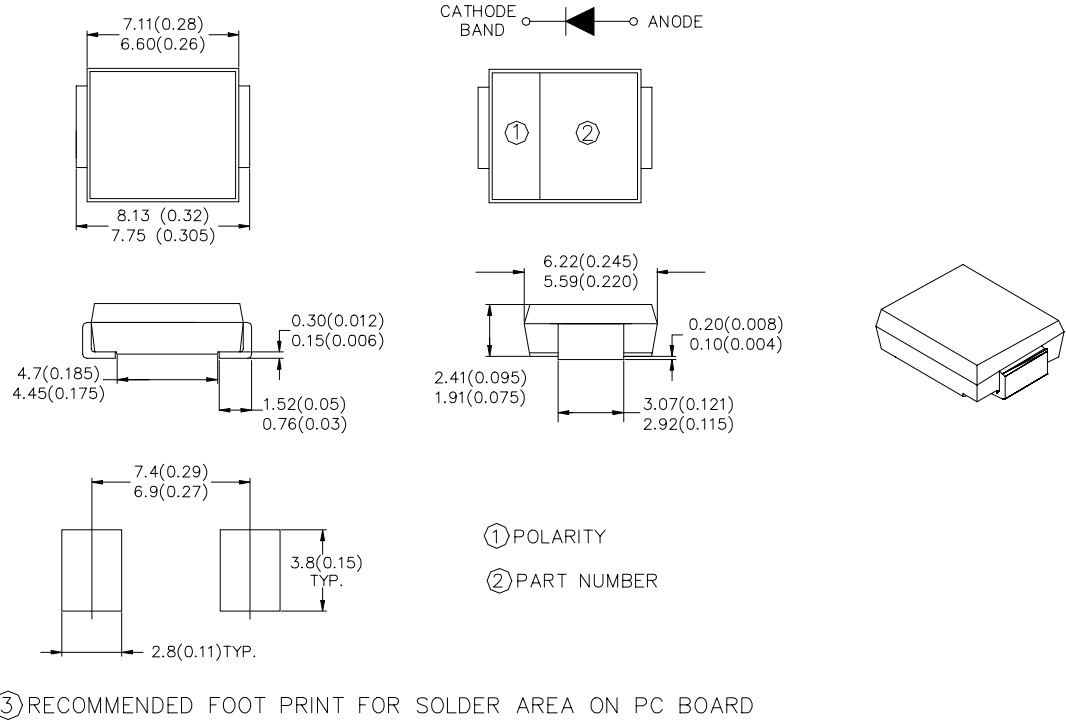
### Applications:

- Switching power supply • Converters • Free-Wheeling diodes • Reverse battery protection
- Disk drives • Battery charging

### Features:

- Small foot print, surface mountable
- Very low forward voltage drop
- High frequency operation
- Guard ring for enhanced ruggedness and long term reliability

### Mechanical Dimensions: In Inches / mm



**SMC**

Data Sheet 3118, Rev. -

**Maximum Ratings:**

Characteristics	Symbol	Condition	Max.	Units
Peak Inverse Voltage	$V_{RWM}$	-	15	V
Max. Average Forward Current	$I_{F(AV)}$	50% duty cycle @ $T_L = 118^\circ\text{C}$ , rectangular wave form	3.0	A
Max. Peak One Cycle Non-Repetitive Surge Current	$I_{FSM}$	8.3 ms, half Sine pulse	114	A

**Electrical Characteristics:**

Characteristics	Symbol	Condition	Max.	Units
Max. Forward Voltage Drop *	$V_{F1}$	@ 3 A, Pulse, $T_J = 25^\circ\text{C}$	0.35	V
	$V_{F2}$	@ 3 A, Pulse, $T_J = 75^\circ\text{C}$	0.30	V
Max. Reverse Current *	$I_{R1}$	@ $V_R = \text{rated } V_R$ $T_J = 25^\circ\text{C}$	4.00	mA
	$I_{R2}$	@ $V_R = \text{rated } V_R$ $T_J = 100^\circ\text{C}$	50	mA
Max. Junction Capacitance	$C_T$	@ $V_R = 5\text{ V}$ , $T_C = 25^\circ\text{C}$ $f_{SIG} = 1\text{MHz}$	1120	pF
Typical Series Inductance	$L_S$	Measured lead to lead 5 mm from package body	3.0	nH
Max. Voltage Rate of Change	dv/dt	-	10,000	V/ $\mu\text{s}$

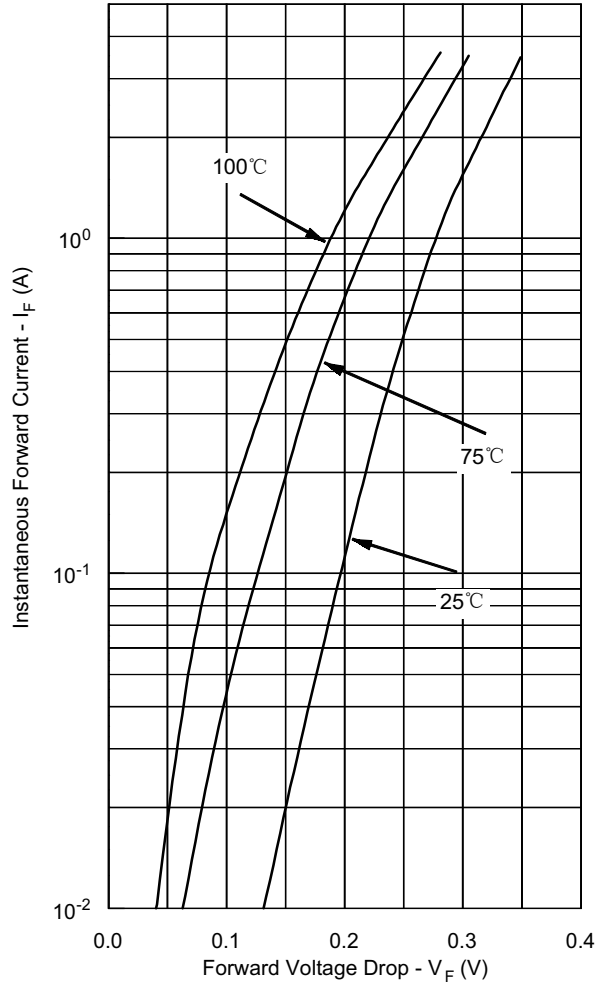
\* Pulse Width < 300 $\mu\text{s}$ , Duty Cycle <2%

**Thermal-Mechanical Specifications:**

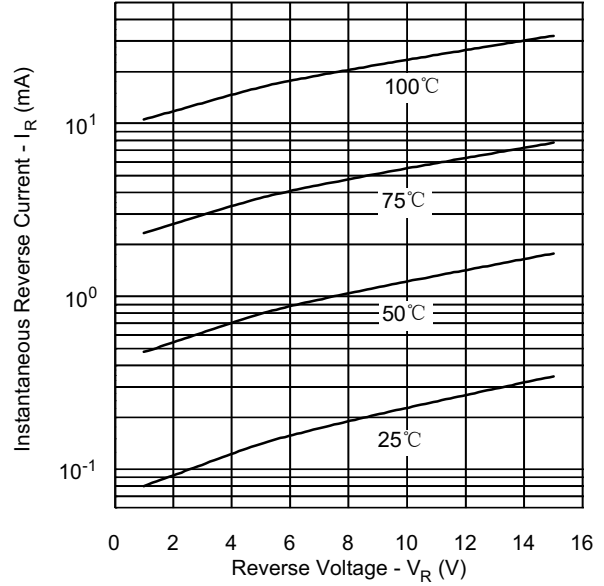
Characteristics	Symbol	Condition	Specification	Units
Max. Junction Temperature	$T_J$	-	-55 to +125	$^\circ\text{C}$
Max. Storage Temperature	$T_{stg}$	-	-55 to +125	$^\circ\text{C}$
Max. Thermal Resistance, Junction to Lead	$R_{\theta JL}$	DC operation	12	$^\circ\text{C/W}$
Max. Thermal Resistance, Junction to Ambient	$R_{\theta JA}$	DC operation	46	$^\circ\text{C/W}$
Approximate Weight	wt	-	0.24	g
Case Style	SMC			

Data Sheet 3118, Rev. -

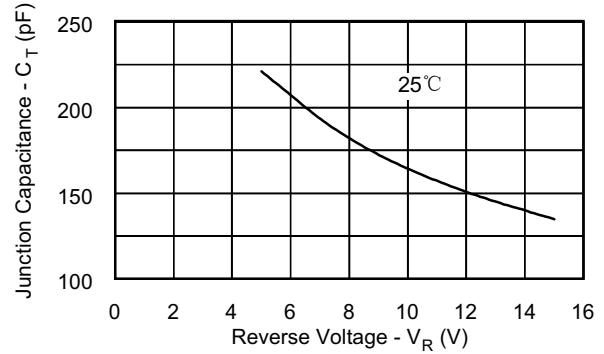
**Typical Forward Characteristics**



**Typical Reverse Characteristics**



**Typical Junction Capacitance**



Data Sheet 3118, Rev. -

### Marking & Identification

Each device has 2 rows of marking for identification.

The first row designates the device as manufactured by Sensitron Semiconductor as indicated by the letter "S". It also contains the information about package style, current and voltage rating.

The second row indicates the year and the week of manufacturing.

