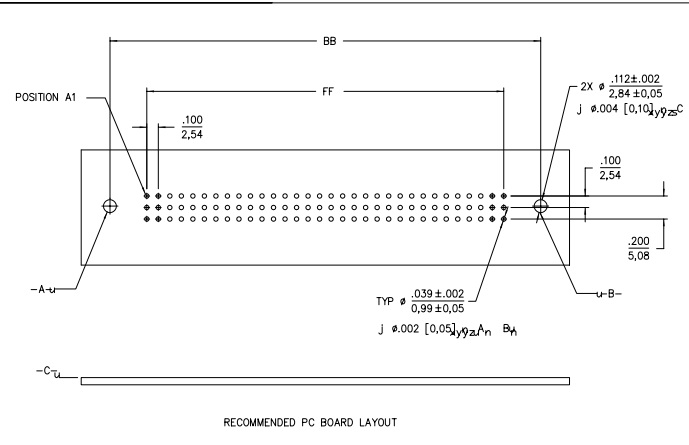
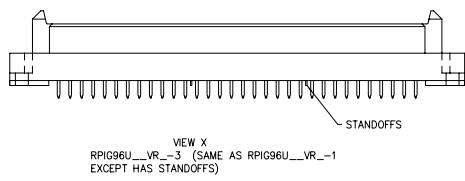
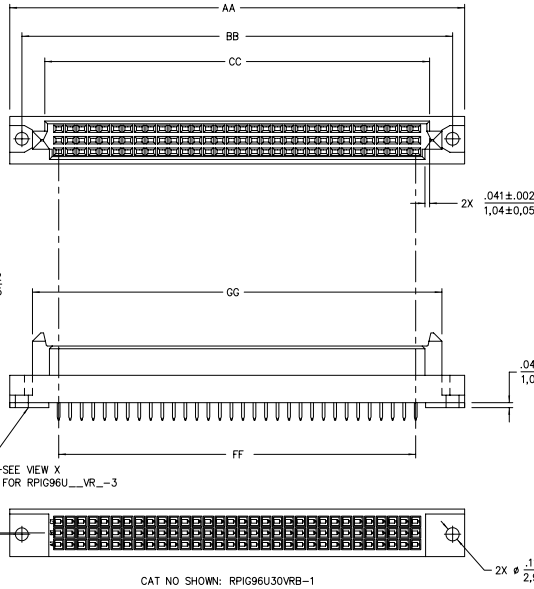
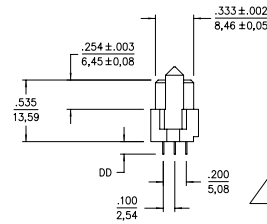
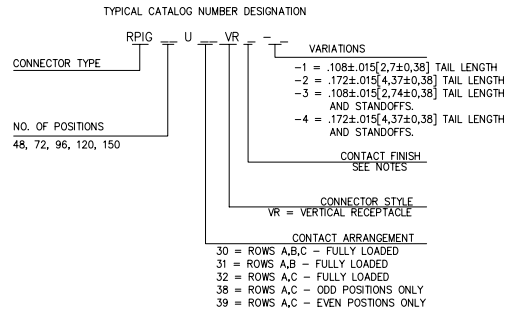


DIMENSIONS TABLE						
CATALOG NUMBER	AA	BB	CC	FF	GG	NO. OF POSITIONS
RPIG48U__VR__	2,349 59,67	2,140 54,36	1,742 44,25	1,500 38,10	1,955 49,66	48
RPIG72U__VR__	3,149 79,98	2,940 74,68	2,542 64,57	2,300 58,42	2,755 69,98	72
RPIG96U__VR__	3,949 100,30	3,740 95,00	3,342 84,89	3,100 78,74	3,555 90,30	96
RPIG120U__VR__	4,749 120,62	4,540 115,32	4,412 105,21	3,900 99,06	4,355 110,62	120
RPIG150U__VR__	5,749 146,02	5,540 140,72	5,142 130,61	4,900 124,46	5,355 136,02	150

TAIL LENGTH TABLE	
CATALOG NUMBER	DD ±0.15 ±0.38
RPIG__U__VR__-1	.108 2,74
RPIG__U__VR__-2	.172 4,37
RPIG__U__VR__-3	.108 2,74
RPIG__U__VR__-4	.172 4,37



NOTES: UNLESS OTHERWISE SPECIFIED:

MATERIALS:

BODY: GLASS REINFORCED POLYESTER UL94-0; COLOR-BLACK.

CONTACTS: COPPER ALLOY

CONTACT FINISH:

B: 30 MICRONS [0,76 MICRONS] MIN GOLD IN CONTACT AREA AND 200 MICRONS [5,08 MICRONS] MIN TIN/LEAD ALLOY ON CONTACT TAILS. 50 MICRONS [1,27 MICRONS] MIN NICKEL UNDERPLATE ALL OVER.

D: 5 MICRONS [0,13 MICRONS] MIN GOLD OVER 30 MICRONS [0,76 MICRONS] MIN PALLADIUM NICKEL IN CONTACT AREA AND 100 MICRONS [2,54 MICRONS] MIN TIN/LEAD ALLOY ON CONTACT TAILS. 50 MICRONS [1,27 MICRONS] MIN. NICKEL UNDERPLATE ALL OVER.



FCIconnect.com

Copyright FCI

mat'l. code		surface ISO 1302 ✓	tolerance ISO 406 ISO 1101	projection INCH/MM	product family DIN
ltr	ecn no dr	date		title	
1	ECN3590 RPS	10/01/96		GUIDED DIN VERTICAL RECEPTACLE	
2	ECN3717 DAF	5/21/97		scale 2:1	
D	V20210 TAB	2/30/02		sheet 1 of 1 size A3	
E	M06-0330 AGS	8/25/06		type Product Customer Drawing	
sheet index		revision sheet	E 1	FCI	