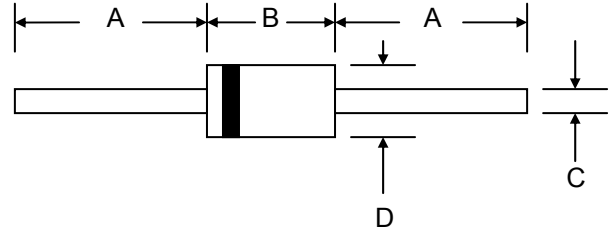


Features

- Glass Passivated Die Construction
- 400W Peak Pulse Power Dissipation
- 5.5V – 513V Standoff Voltage
- Uni- and Bi-Directional Versions Available
- Excellent Clamping Voltage
- Typical Response Time < 1nS
- Plastic Case Material has UL Flammability Classification Rating 94V-0



Mechanical Data

- Case: DO-41, Molded Plastic
- Terminals: Plated Leads Solderable per MIL-STD-202, Method 208
- Polarity: Cathode Band Except Bi-Directional
- Weight: 0.35 grams (approx.)
- Mounting Position: Any
- Marking: Type Number
- **Lead Free: For RoHS / Lead Free Version, Add "-LF" Suffix to Part Number, See Page 6**

DO-41		
Dim	Min	Max
A	25.4	—
B	4.06	5.21
C	0.71	0.864
D	2.00	2.72
All Dimensions in mm		

Maximum Ratings and Electrical Characteristics @ $T_A=25^\circ\text{C}$ unless otherwise specified

Characteristic	Symbol	Value	Unit
Peak Pulse Power Dissipation on 10/1000 μs Waveform (Note 1, 2, 5)	PPPM	400	W
Peak Pulse Current on 10/1000 μs Waveform (Note 1)	IPPM	See Table 1	A
Peak Forward Surge Current (Note 2, 3)	IFSM	40	A
Maximum Instantaneous Forward Voltage at 25A (Note 3, 4)	V _F	3.5 / 5.0	V
Power Dissipation at T _L = 75°C (Note 2)	P _D	1.0	W
Typical Thermal Resistance, Junction to Ambient (Note 2)	R _{JA}	100	°C/W
Typical Thermal Resistance, Junction to Lead (Note 2)	R _{JL}	60	°C/W
Operating and Storage Temperature Range	T _J , T _{STG}	-55 to +150	°C

- Note: 1. Non-repetitive current pulse per Figure 5 and derated above T_A = 25°C per Figure 1.
 2. Mounted on 40 x 40 x 1.0mm thick copper pads to each terminal that maintained at a distance of 9.5mm from the case.
 3. Measured on 8.3ms single half sine-wave, duty cycle = 4 pulses per minute maximum. For uni-directional devices only.
 4. V_F < 3.5V for V_{BR} ≤ 200V and V_F < 5.0V for V_{BR} ≥ 201V.
 5. Peak pulse power waveform is 10/1000 μs .

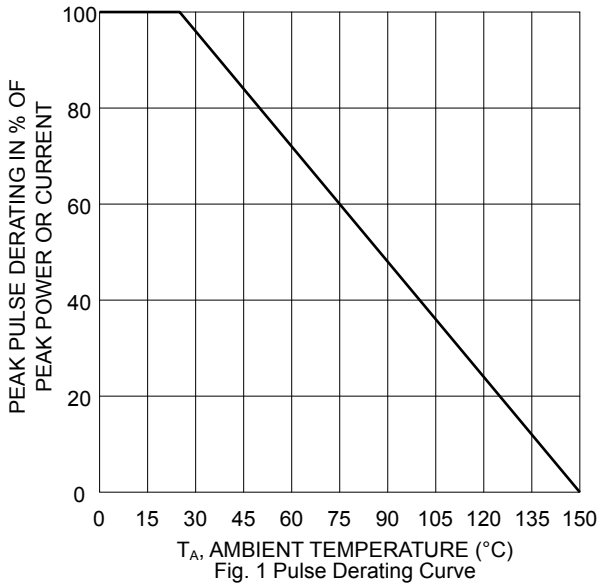


Fig. 1 Pulse Derating Curve

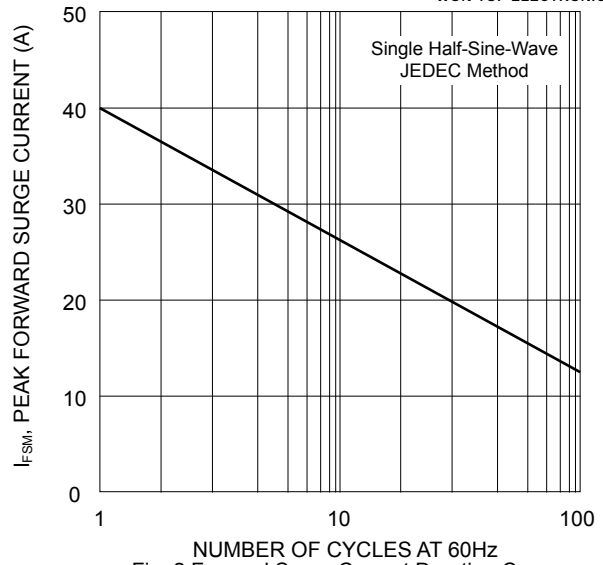


Fig. 2 Forward Surge Current Derating Curve

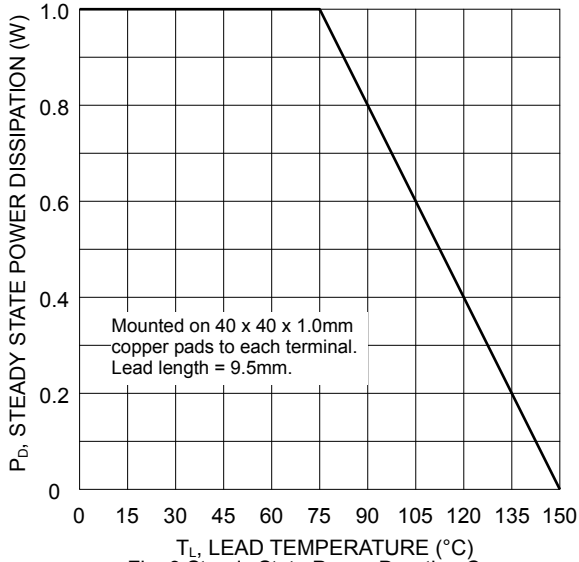


Fig. 3 Steady State Power Derating Curve

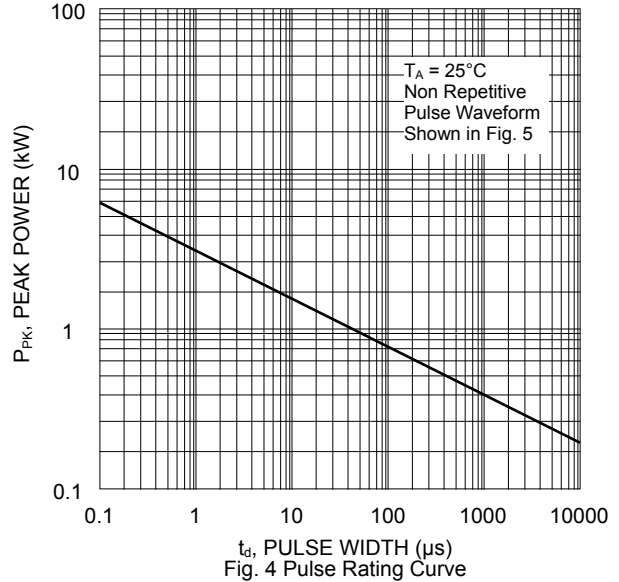


Fig. 4 Pulse Rating Curve

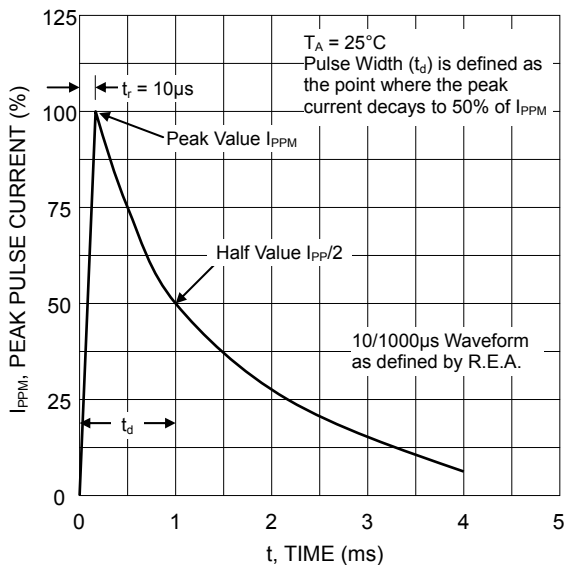


Fig. 5 Pulse Waveform

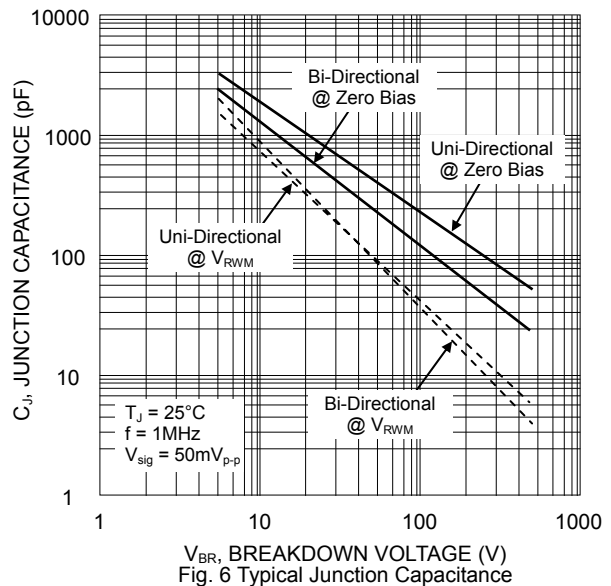


Fig. 6 Typical Junction Capacitance

Electrical Characteristics (@T_A=25°C unless otherwise specified) Table 1

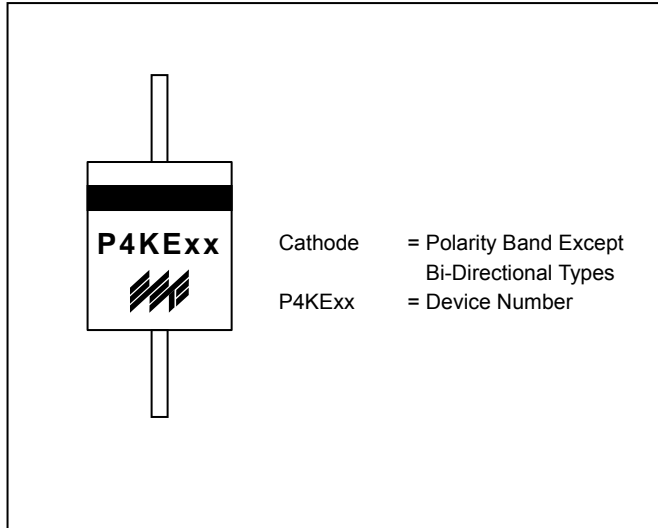
Uni-Directional Part No.	Bi-Directional Part No.	Reverse Stand-Off Voltage V _{RWM} (V)	Breakdown Voltage V _{BR} (V) @I _T		Test Current I _T (mA)	Maximum Clamping Voltage @I _{PP} V _C (V)	Peak Pulse Current I _{PP} (A)	Reverse Leakage* @V _{RWM} I _R (μA)
			Min.	Max.				
P4KE6.8	P4KE6.8C	5.5	6.12	7.48	10	10.8	37.04	1000
P4KE6.8A	P4KE6.8CA	5.8	6.46	7.14	10	10.5	38.10	1000
P4KE7.5	P4KE7.5C	6.1	6.75	8.25	10	11.7	34.19	500
P4KE7.5A	P4KE7.5CA	6.4	7.13	7.88	10	11.3	35.40	500
P4KE8.2	P4KE8.2C	6.6	7.38	9.02	10	12.5	32.00	200
P4KE8.2A	P4KE8.2CA	7.0	7.79	8.61	10	12.1	33.06	200
P4KE9.1	P4KE9.1C	7.4	8.19	10.01	1	13.8	28.99	50
P4KE9.1A	P4KE9.1CA	7.8	8.65	9.56	1	13.4	29.85	50
P4KE10	P4KE10C	8.1	9.00	11.00	1	15.0	26.67	10
P4KE10A	P4KE10CA	8.6	9.50	10.50	1	14.5	27.59	10
P4KE11	P4KE11C	8.9	9.90	12.10	1	16.2	24.69	5
P4KE11A	P4KE11CA	9.4	10.45	11.55	1	15.6	25.64	5
P4KE12	P4KE12C	9.7	10.80	13.20	1	17.3	23.12	5
P4KE12A	P4KE12CA	10.2	11.40	12.60	1	16.7	23.95	5
P4KE13	P4KE13C	10.5	11.70	14.30	1	19.0	21.05	1
P4KE13A	P4KE13CA	11.1	12.35	13.65	1	18.2	21.98	1
P4KE15	P4KE15C	12.1	13.50	16.50	1	22.0	18.18	1
P4KE15A	P4KE15CA	12.8	14.25	15.75	1	21.2	18.87	1
P4KE16	P4KE16C	12.9	14.40	17.60	1	23.5	17.02	1
P4KE16A	P4KE16CA	13.6	15.20	16.80	1	22.5	17.78	1
P4KE18	P4KE18C	14.5	16.20	19.80	1	26.5	15.09	1
P4KE18A	P4KE18CA	15.3	17.10	18.90	1	25.2	15.87	1
P4KE20	P4KE20C	16.2	18.00	22.00	1	29.1	13.75	1
P4KE20A	P4KE20CA	17.1	19.00	21.00	1	27.7	14.44	1
P4KE22	P4KE22C	17.8	19.80	24.20	1	31.9	12.54	1
P4KE22A	P4KE22CA	18.8	20.90	23.10	1	30.6	13.07	1
P4KE24	P4KE24C	19.4	21.60	26.40	1	34.7	11.53	1
P4KE24A	P4KE24CA	20.5	22.80	25.20	1	33.2	12.05	1
P4KE27	P4KE27C	21.8	24.30	29.70	1	39.1	10.23	1
P4KE27A	P4KE27CA	23.1	25.65	28.35	1	37.5	10.67	1
P4KE30	P4KE30C	24.3	27.00	33.00	1	43.5	9.20	1
P4KE30A	P4KE30CA	25.6	28.50	31.50	1	41.4	9.66	1
P4KE33	P4KE33C	26.8	29.70	36.30	1	47.7	8.39	1
P4KE33A	P4KE33CA	28.2	31.35	34.65	1	45.7	8.75	1
P4KE36	P4KE36C	29.1	32.40	39.60	1	52.0	7.69	1
P4KE36A	P4KE36CA	30.8	34.20	37.80	1	49.9	8.02	1
P4KE39	P4KE39C	31.6	35.10	42.90	1	56.4	7.09	1
P4KE39A	P4KE39CA	33.3	37.05	40.95	1	53.9	7.42	1
P4KE43	P4KE43C	34.8	38.70	47.30	1	61.9	6.46	1
P4KE43A	P4KE43CA	36.8	40.85	45.15	1	59.3	6.75	1
P4KE47	P4KE47C	38.1	42.30	51.70	1	67.8	5.90	1
P4KE47A	P4KE47CA	40.2	44.65	49.35	1	64.8	6.17	1
P4KE51	P4KE51C	41.3	45.90	56.10	1	73.5	5.44	1
P4KE51A	P4KE51CA	43.6	48.45	53.55	1	70.1	5.71	1
P4KE56	P4KE56C	45.4	50.40	61.60	1	80.5	4.97	1
P4KE56A	P4KE56CA	47.8	53.20	58.80	1	77.0	5.19	1
P4KE62	P4KE62C	50.2	55.80	68.20	1	89.0	4.49	1
P4KE62A	P4KE62CA	53.0	58.90	65.10	1	85.0	4.71	1
P4KE68	P4KE68C	55.1	61.20	74.80	1	98.0	4.08	1
P4KE68A	P4KE68CA	58.1	64.60	71.40	1	92.0	4.35	1
P4KE75	P4KE75C	60.7	67.50	82.50	1	108.0	3.70	1
P4KE75A	P4KE75CA	64.1	71.25	78.75	1	103.0	3.88	1
P4KE82	P4KE82C	66.4	73.80	90.20	1	118.0	3.39	1
P4KE82A	P4KE82CA	70.1	77.90	86.10	1	113.0	3.54	1
P4KE91	P4KE91C	73.7	81.90	100.10	1	131.0	3.05	1
P4KE91A	P4KE91CA	77.8	86.45	95.55	1	125.0	3.20	1
P4KE100	P4KE100C	81.0	90.00	110.00	1	144.0	2.78	1
P4KE100A	P4KE100CA	85.5	95.00	105.00	1	137.0	2.92	1
P4KE110	P4KE110C	89.2	99.00	121.00	1	158.0	2.53	1
P4KE110A	P4KE110CA	94.0	104.50	115.50	1	152.0	2.63	1
P4KE120	P4KE120C	97.2	108.00	132.00	1	173.0	2.31	1
P4KE120A	P4KE120CA	102.0	114.00	126.00	1	165.0	2.42	1
P4KE130	P4KE130C	105.0	117.00	143.00	1	187.0	2.14	1
P4KE130A	P4KE130CA	111.0	123.50	136.50	1	179.0	2.23	1

*For bi-directional devices V_{RWM} ≤ 10V, the I_R limit is double.

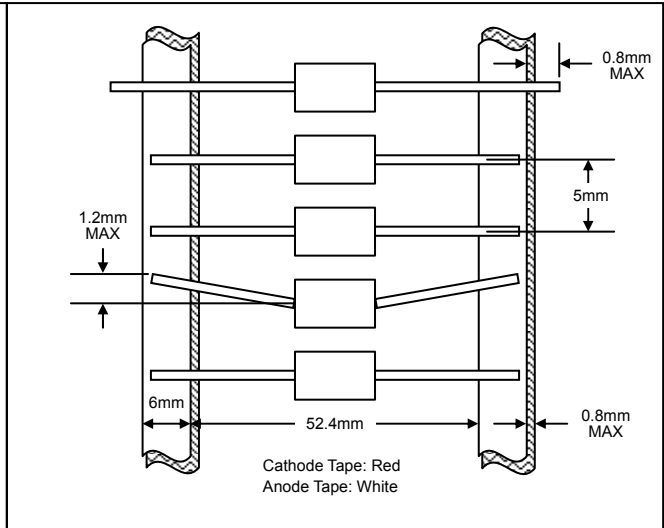
Electrical Characteristics (@T_A=25°C unless otherwise specified) Table 1 (Cont'd)

Uni-Directional Part No.	Bi-Directional Part No.	Reverse Stand-Off Voltage V _{RWM} (V)	Breakdown Voltage V _{BR} (V) @I _T		Test Current I _T (mA)	Maximum Clamping Voltage @I _{PP} V _C (V)	Peak Pulse Current I _{PP} (A)	Reverse Leakage* @V _{RWM} I _R (μA)
			Min.	Max.				
P4KE150	P4KE150C	121.0	135.00	165.00	1	215.0	1.86	1
P4KE150A	P4KE150CA	128.0	142.50	157.50	1	207.0	1.93	1
P4KE160	P4KE160C	130.0	144.00	176.00	1	230.0	1.74	1
P4KE160A	P4KE160CA	136.0	152.00	168.00	1	219.0	1.83	1
P4KE170	P4KE170C	138.0	153.00	187.00	1	244.0	1.64	1
P4KE170A	P4KE170CA	145.0	161.50	178.50	1	234.0	1.71	1
P4KE180	P4KE180C	146.0	162.00	198.00	1	258.0	1.55	1
P4KE180A	P4KE180CA	154.0	171.00	189.00	1	246.0	1.63	1
P4KE200	P4KE200C	162.0	180.00	220.00	1	287.0	1.39	1
P4KE200A	P4KE200CA	171.0	190.00	210.00	1	274.0	1.46	1
P4KE220	P4KE220C	175.0	198.00	242.00	1	344.0	1.16	1
P4KE220A	P4KE220CA	185.0	209.00	231.00	1	328.0	1.22	1
P4KE250	P4KE250C	202.0	225.00	275.00	1	360.0	1.11	1
P4KE250A	P4KE250CA	214.0	237.50	262.50	1	344.0	1.16	1
P4KE300	P4KE300C	243.0	270.00	330.00	1	430.0	0.93	1
P4KE300A	P4KE300CA	256.0	285.00	315.00	1	414.0	0.97	1
P4KE350	P4KE350C	284.2	315.00	385.00	1	504.0	0.79	1
P4KE350A	P4KE350CA	299.3	332.50	367.50	1	482.0	0.83	1
P4KE380	P4KE380C	308.6	342.00	418.00	1	547.2	0.73	1
P4KE380A	P4KE380CA	324.9	361.00	399.00	1	524.4	0.76	1
P4KE400	P4KE400C	324.8	360.00	440.00	1	574.0	0.70	1
P4KE400A	P4KE400CA	342.0	380.00	420.00	1	548.0	0.73	1
P4KE440	P4KE440C	357.3	396.00	484.00	1	631.0	0.63	1
P4KE440A	P4KE440CA	376.2	418.00	462.00	1	602.0	0.66	1
P4KE500	P4KE500C	406.0	450.00	550.00	1	720.0	0.56	1
P4KE500A	P4KE500CA	427.5	475.00	525.00	1	690.0	0.58	1
P4KE520	P4KE520C	422.2	468.00	572.00	1	748.8	0.53	1
P4KE520A	P4KE520CA	444.6	494.00	546.00	1	717.6	0.56	1
P4KE550	P4KE550C	446.6	495.00	605.00	1	792.0	0.51	1
P4KE550A	P4KE550CA	470.3	522.50	577.50	1	759.0	0.53	1
P4KE600	P4KE600C	487.2	540.00	660.00	1	864.0	0.46	1
P4KE600A	P4KE600CA	513.0	570.00	630.00	1	828.0	0.48	1

MARKING INFORMATION

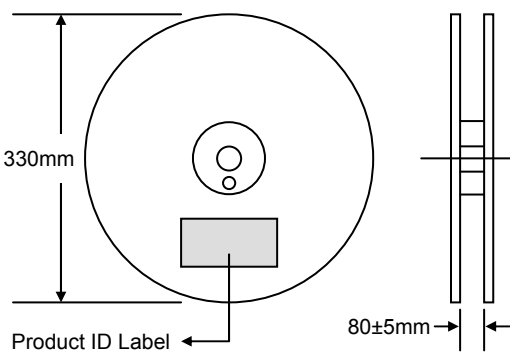


TAPING SPECIFICATIONS



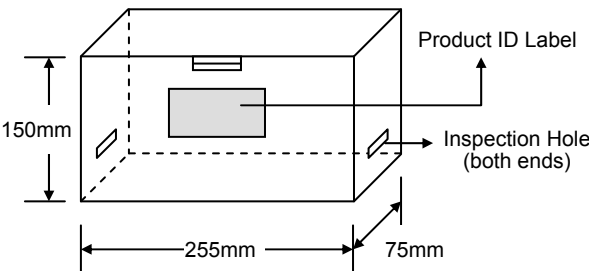
PACKAGING INFORMATION

TAPE & REEL



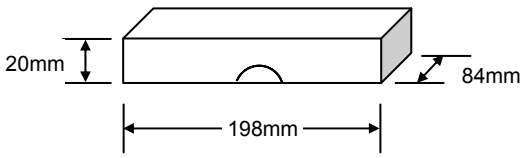
330mm
Product ID Label
80±5mm

TAPE & BOX



150mm
Product ID Label
Inspection Hole (both ends)
255mm
75mm

BULK



20mm
198mm
84mm


Packaging	Reel Diameter / Box Size (mm)	Quantity (PCS)	Carton Size (mm)	Quantity (PCS)	Approx. Gross Weight (KG)
TAPE & REEL	330	5,000	370 x 370 x 420	25,000	13.0
TAPE & BOX	255 x 75 x 150	5,000	400 x 273 x 415	50,000	21.0
BULK	198 x 84 x 20	1,000	459 x 214 x 256	50,000	19.5

Note: 1. Paper reel, white or gray color. Core material: plastic or metal.
2. Components are packed in accordance with EIA standard RS-296-E.

ORDERING INFORMATION

Product No.	Package Type	Shipping Quantity
P4KExx-T3	DO-41	5000/Tape & Reel
P4KExx-TB	DO-41	5000/Tape & Box
P4KExx	DO-41	1000 Units/Box

1. Products listed in **bold** are WTE **Preferred** Devices.
2. Shipping quantity given is for minimum packing quantity only. For minimum order quantity, please consult the Sales Department.
3. **To order RoHS / Lead Free version (with Lead Free finish), add "-LF" suffix to part number above. For example, P4KE6.8-TB-LF.**

WON-TOP ELECTRONICS and  are registered trademarks of Won-Top Electronics Co., Ltd (WTE). WTE has checked all information carefully and believes it to be correct and accurate. However, WTE cannot assume any responsibility for inaccuracies. Furthermore, this information does not give the purchaser of semiconductor devices any license under patent rights to manufacturer. WTE reserves the right to change any or all information herein without further notice.

WARNING: DO NOT USE IN LIFE SUPPORT EQUIPMENT. WTE power semiconductor products are not authorized for use as critical components in life support devices or systems without the express written approval.

Won-Top Electronics Co., Ltd.
No. 44 Yu Kang North 3rd Road,
Chine Chen Dist., Kaohsiung 806, Taiwan
Phone: 886-7-822-5408 or 886-7-822-5410
Fax: 886-7-822-5417
Email: sales@wontop.com
Internet: <http://www.wontop.com>

We power your everyday.