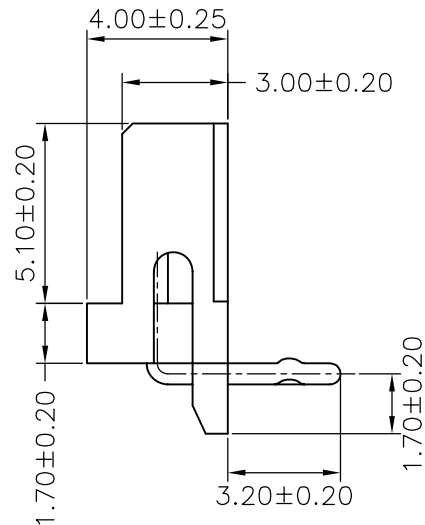
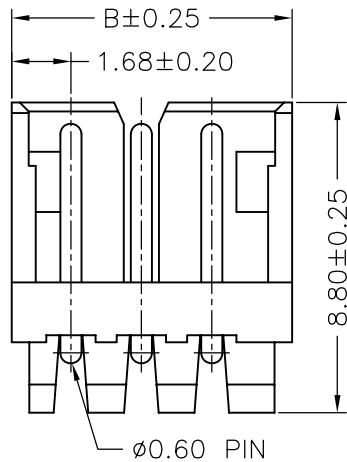
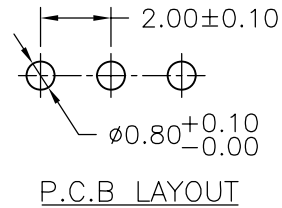
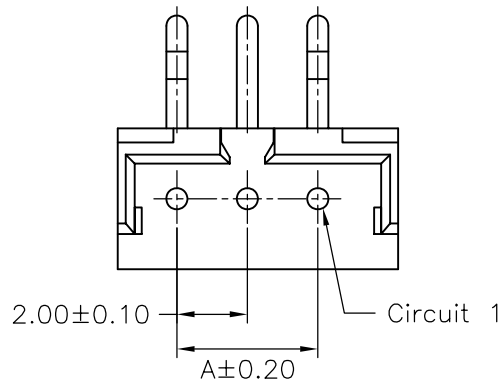



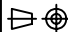
SPECIFICATIONS

Current Rating: 4A AC,DC
 Voltage Rating: 125V AC,DC
 Temperature Range: -25°C ~ +85°C
 Contact Resistance: 10mΩ Max.
 Insulation Resistance: 1000MΩ Min.
 Withstanding Voltage: 1000V AC/minute
 Pin Material: Brass/Gold-flash 1~3u"
 Material: Nylon 46,UL94V-0
 Color: Natural(Beige)

Ordering Information & Dimensions

PART NO.	Dimensions	
	A	B
A2013WR-02P46G	2.00	5.96
A2013WR-03P46G	4.00	7.96
A2013WR-04P46G	6.00	9.96
A2013WR-05P46G	8.00	11.96
A2013WR-06P46G	10.00	13.96
A2013WR-07P46G	12.00	15.96
A2013WR-08P46G	14.00	17.96
A2013WR-09P46G	16.00	19.96
A2013WR-10P46G	18.00	21.96
A2013WR-11P46G	20.00	23.96
A2013WR-12P46G	22.00	25.96
A2013WR-13P46G	24.00	27.96
A2013WR-14P46G	26.00	29.96
A2013WR-15P46G	28.00	31.96



					JOINT TECH ELECTRONIC IND. CO., LTD. JOY DAY INDUSTRIAL CO., LTD.	
UNIT	SCALE	SHEET	TITLE:			
mm		1 of 1	2.00mm PITCH 90° WAFER, NYLON 46, GOLD-FLASH			
DRAWN BY 朱恆秀 2008.02.22		APPROVED BY 董正一 2008.02.22				
GENERAL TOLERANCE			REV. A0			
A0	NEW RELEASE	2008.02.22	X. X±0.25	ANGLE±		
REV.	DESCRIPTION	DATE	X. XX±0.15			
			X. XXX±0.05			