

ADAM TECH

ADAM TECHNOLOGIES INC.

MINI SHUNTS

.100" [2.54] CENTERLINE
MS SERIES

INTRODUCTION:

Adam Tech MS Series Mini Shunts are versatile, high current carrying, individual and ganged style shunts for manual programming. They are designed to easily short two .025" square or round posts on a .100" centerlines. They are a low cost, highly effective alternative to switches for on-board programming. A wide variety of sizes, colors and contact platings are available to suit specific requirements.

FEATURES:

- Short circuits two posts easily
- Dual wipe contacts
- Side and end stackable on .100" centerline
- Standard and ultra low profiles
- Custom colors available
- Single, gang and strip line types available
- Grooved cap aids finger grip for easy extraction
- Choice of open or closed top, micro-miniature and handle top types

MATING OPTIONS:

Mates with Adam Tech PH Series pin headers and all industry compatible .025" sq. post connectors.

SPECIFICATIONS:

Material:

Insulator: Polybutylene Terephthalate (PBT), glass reinforced thermoplastic, rated UL 94V-0, Black Color

Contacts: Phosphor Bronze

Plating:

G = 5 μ m gold nom. (optional 30 μ m) to MIL-G-45204, Type II, Grade C on contact area over 50 μ m nickel underplate to QQ-N-290, Class 2, Grade C, gold flash on balance

T = 100 μ m bright tin plate to MIL-T-10727, Type 1 with 100 μ m copper underplate to MIL-C-14550

Electrical:

Operation voltage: 250 VAC max

Current rating: 3 Amps max

Contact resistance: 20 m Ω max

Insulation resistance: 5000 M Ω min @ 1000 VDC between adjacent contacts (75°F and 50% R.H.)

Dielectric withstanding voltage: 1000 VAC min rms (sea level)

Capacitance: 1 pF max between adjacent contacts

Mechanical:

Insertion force: 15 oz. avg. per station when mated with .025" sq. pin

Withdrawal force: 13 oz. avg. per station when mated with .025" sq. pin

Contact retention in body: 1 lb. min

Mating durability: 200 cycles min

Lead size range: .022" sq. to .028" sq.

Environmental:

Operating temperature: -65°C to +125°C

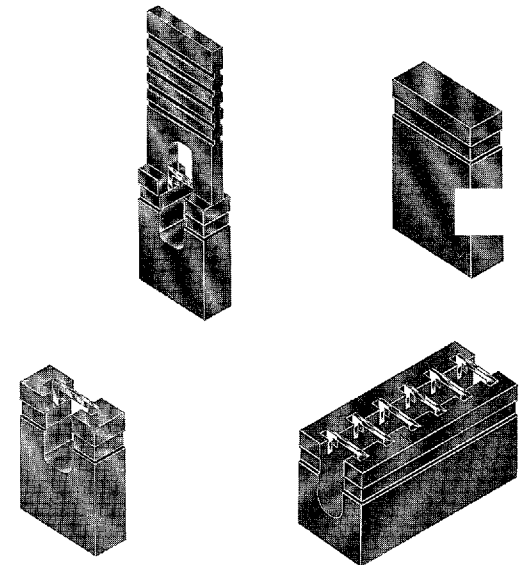
PACKAGING:

Plastic anti-static bags

APPROVALS AND CERTIFICATIONS:

Recognized under the component program of Underwriters Laboratories, Inc. No. E167232

Certified by Canadian Standards Association No. LR75112



ORDERING INFORMATION

MSB

G

BODY STYLE/HEIGHT

MSA = Closed top, .256"

MSB = Open top, .236"

MSC = Open top, .177"

MSDA = Closed top, .336"

MSDB = Open top, .318"

MSBH = Handle-top, .236"

MSBG = Ganged, block type

(Specify # of positions, 2 thru 10)

MST = 10 piece strip

2.00mm Shunts - Pg. 164

PLATING

G = Gold plated

T = Tin plated

Hi-TEMP
OPTION

OPTIONS:

Add as suffix to basic part number

30 = 30 μ m gold in contact area

HT = Hi-Temp insulator for IR reflow or Vapor Phase soldering processes

STANDARD INSULATOR COLOR IS BLACK

Other insulator colors available

Add as suffix to basic part number

R = Red *

B = Blue *

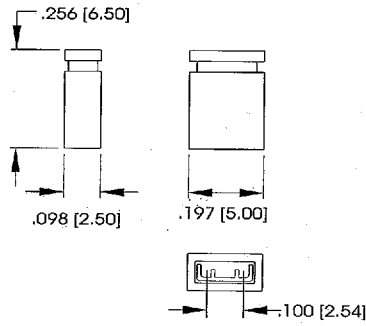
W = White *

Y = Yellow *

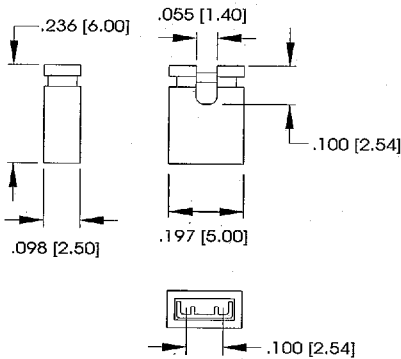
G = Green *

* Minimum order required

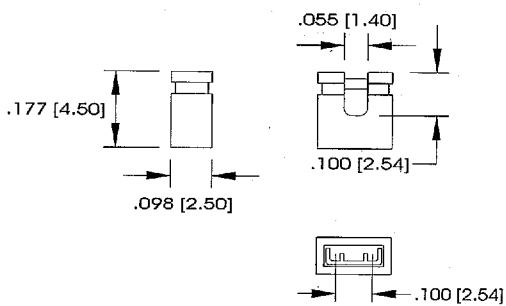
9017931 0000177 T07



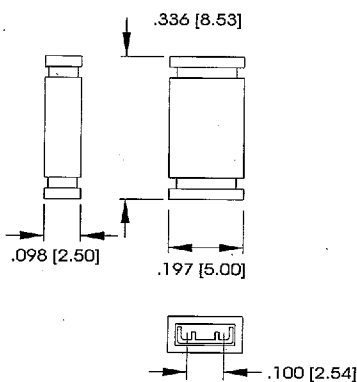
MSA



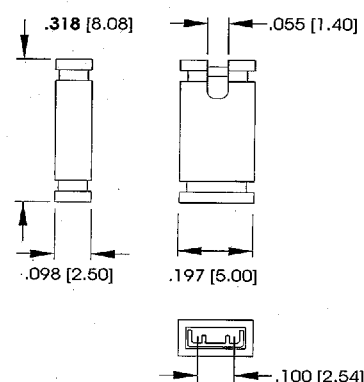
MSB



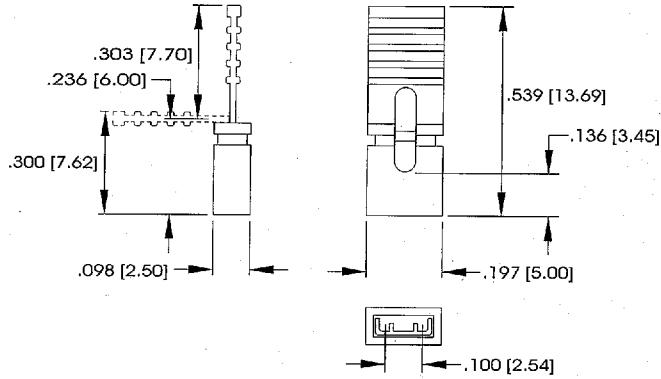
MSC



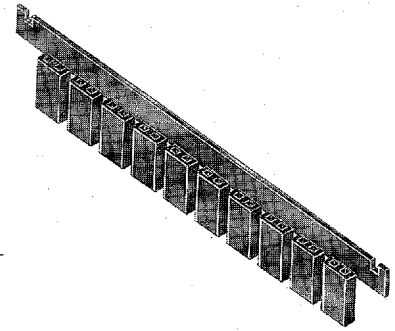
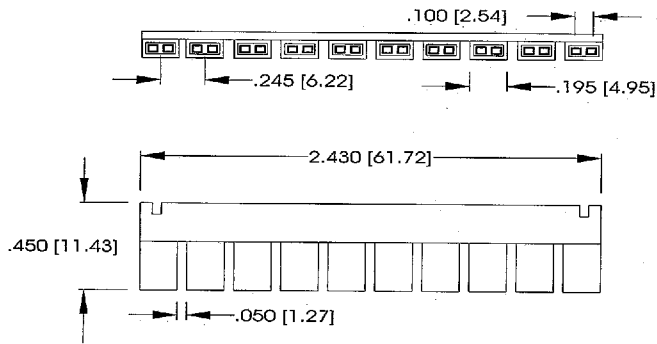
MSDA



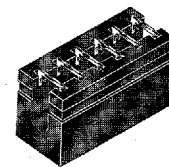
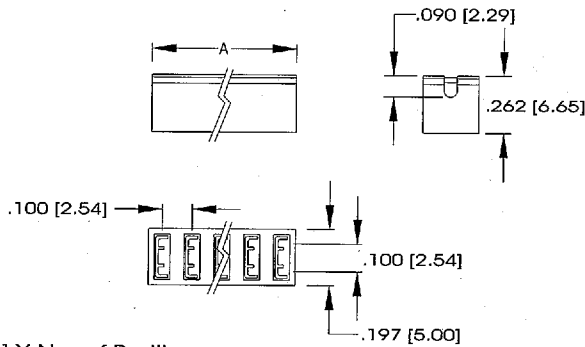
MSDB



MSBH



MST



MSBG

A = .100 [2.54] X No. of Positions

9017931 0000179 88T