

# 1/2" DIAMETER, 200 MA ROTARY SWITCHES

## CHOICES AND LIMITATIONS –Standard Style

Standard Shaft Designation <sup>1</sup>	Screwdriver Slot Shaft Designation	Adjustable Stop Designation <sup>2</sup>	FEATURES					<i>Applicable to all switch styles unless otherwise noted</i>				
			Solder Lug Terminals	PC Mount Terminals	Shaft Seal	Panel Seal	Terminal Seal	Angle Of Throw	Number Of Poles	Number Of Positions Per Pole	Shorting Or Non-Shorting Contacts	
A	B	D	X						22.5°	1 2	02 thru 16 02 thru 08	N or S N or S
S	BS	-	X		X	X			30°	1 2 3 4	02 thru 12 02 thru 06 02 thru 04 02 or 03	N or S N or S N or S N or S
P	BP	DP		X								
SP	BSP	-		X	X	X			36°	1 2	02 thru 10 02 thru 05	N or S N or S
AT	BT	DT	X		X		X					
ST	BST	-	X		X	X		X	45°	1 2	02 thru 08 02 thru 04	N N
PT	BPT	DPT		X	X		X					
SPT	BSPT	-		X	X	X		X	90°	1 2	02 thru 06 02 or 03 02 thru 04 02	N N N N

## CHOICES AND LIMITATIONS –Military Style

Standard & Metric Shaft Designation <sup>3</sup>	Screwdriver Slot Shaft Designation	Adjustable Stop Designation <sup>2</sup>	FEATURES					<i>Applicable to all switch styles unless otherwise noted</i>				
			Solder Lug Terminals	PC Mount Terminals	Shaft Seal	Panel Seal	Terminal Seal	Angle Of Throw	Number Of Poles	Number Of Positions Per Pole	Shorting Or Non-Shorting Contacts	
C	CB	CD	X						30°	1 2 3 4	02 thru 12 02 thru 06 02 thru 04 02 or 03	N or S N or S N or S N or S
M	MB	-	X		X	X						
CP	CBP	CDP		X					36°	1 2	02 thru 10 02 thru 05	N or S N or S
MP	MBP	-		X	X	X						
CT	CBT	CDT	X		X			X	45°	1 2	02 thru 08 02 thru 04	N N
MT	MBT	-	X		X	X	X					
CPT	CBPT	CDPT		X	X		X		60°	1 2	02 thru 06 02 or 03	N N
MPT	MBPT	-		X	X	X	X					
				X	X	X	X		90°	1 2	02 thru 04 02	N N

<sup>1</sup> Contact Grayhill if the process sealed style (designation T) is required in a 22.5° angle of throw.

<sup>2</sup> Adjustable stop styles are available in 30° (Series 51) or 36°, 45°, 60° and 90° (Series 50) angles of throw only. The number of positions per pole are designated by substituting AJ when formulating the part number.

<sup>3</sup> Because MIL-S-3786/20 does not include PC terminals, military style, 36°, 45°, 60° and 90° angles of throw with PC terminals are not qualified, but have been tested to meet all required criteria. If a 30° angle of throw cannot be substituted in the design, contact GRAYHILL, INC. Also contact GRAYHILL for the correct military marking of the process sealed switches.

## ORDERING INFORMATION

**Series:** Series 50 (36°, 45°, 60°, or 90° Throw); Series 51 (30°; 22.5°)  
**Style:** Letters from Choices Chart  
**Angle of Throw:** Use 22 (for 22.5°), 30, 36, 45, 60, or 90

**50AT36-01-1-10N-F**

**Stop Arrangement:** Needed only with 1 pole switches with maximum positions. Leave blank for continuous rotation; add F for fixed stop.

**Type of Contacts:** N = Non-shorting, S = Shorting

**Positions Per Pole:** 02 as a minimum to the maximum allowable for the angle of throw and the number of poles per the Choices Chart. Use Letters AJ in this location if adjustable stop switch is ordered.

**Poles per Deck:** See chart

**Number of Decks:** 01 only

## STANDARD OPTIONS

**Not available thru Distributors.**

Intermixing of shorting and non-shorting contacts, metric styles, and 1/4" diameter shafts. Contact Grayhill.

Shaft grounding to meet the specifications of MIL-S-3786.

## ADDITIONAL FEATURES

Economy keylock switch, isolated position, spring return, and coded switches are available in similar series. See Keylock and Special Function Rotary Switch sections.

**Available from your local Grayhill Distributor**

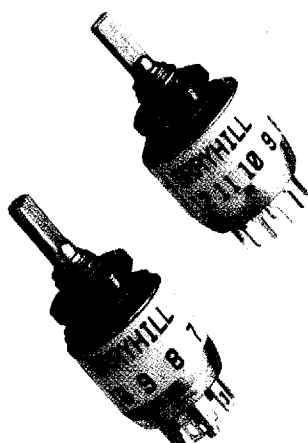
For prices and discounts, contact a local Sales Office, an authorized local Distributor, or Grayhill.

# 1/2" DIAMETER, 200 MA ROTARY SWITCHES

## SERIES 50 AND 51

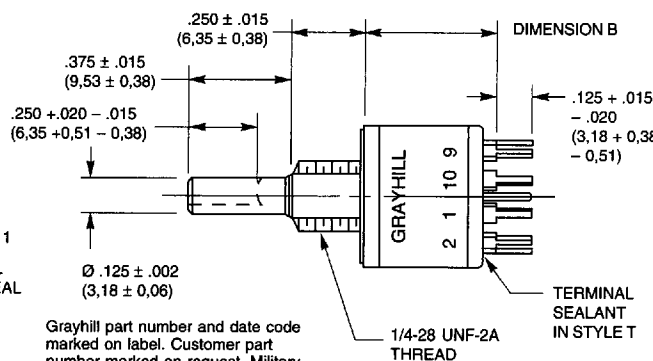
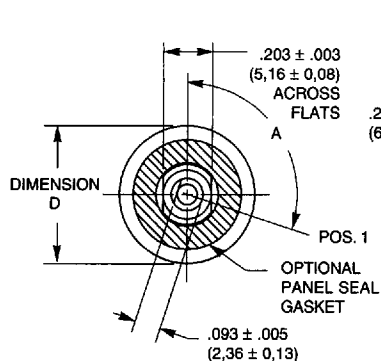
### FEATURES

- Optional Complete Seal for PC Board Assembly and Cleaning
- Small 1/2 Inch Diameter
- Choice of 22.5°, 30°, 36°, 45°, 60° and 90° Angles of Throw
- Up to 4 Poles on 1 Deck
- Up to 16 Positions Per Switch
- PC or Solder Lug Termination
- Positive Shaft Grounding for EMI/RFI Shielding
- 1/4" Diameter Shafts—Contact Grayhill for Availability



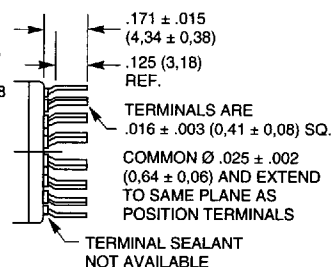
### DIMENSIONS In inches (and millimeters)

#### PC Mount Style



#### Side View

All others as shown at left



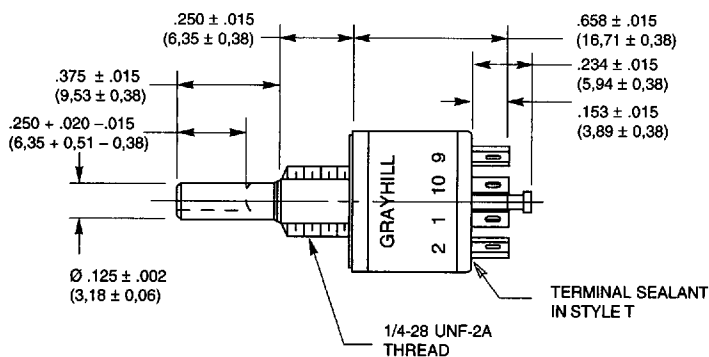
Grayhill part number and date code marked on label. Customer part number marked on request. Military part number marked when required.

Angle of Throw	Angle A	Angle of Throw	Angle A
22.5°	101.25°	45°	112.5°
30°	105°	60°	120°
36°	108°	90°	135°

Dimension	Series 50	Series 51
D	.500 + .025 - .015 (12,70 + 0,64 - 0,38)	.562 + .025 - .015 (14,27 + 0,64 - 0,38)

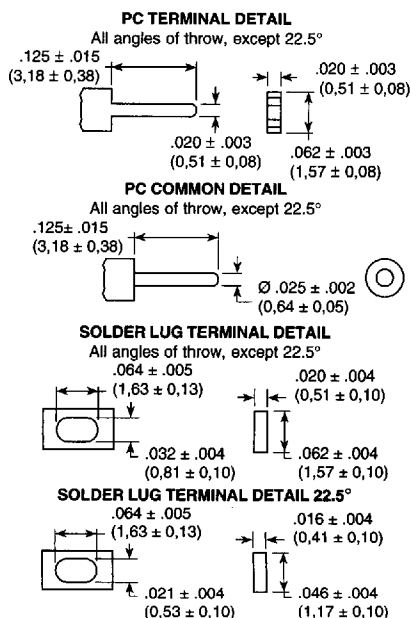
Dimension	Style T	All Others
B	.576 ± .015 (14,63 ± 0,38)	.537 + .020 - .030 (13,64 + 0,51 - 0,76)

#### Solder Lug Style



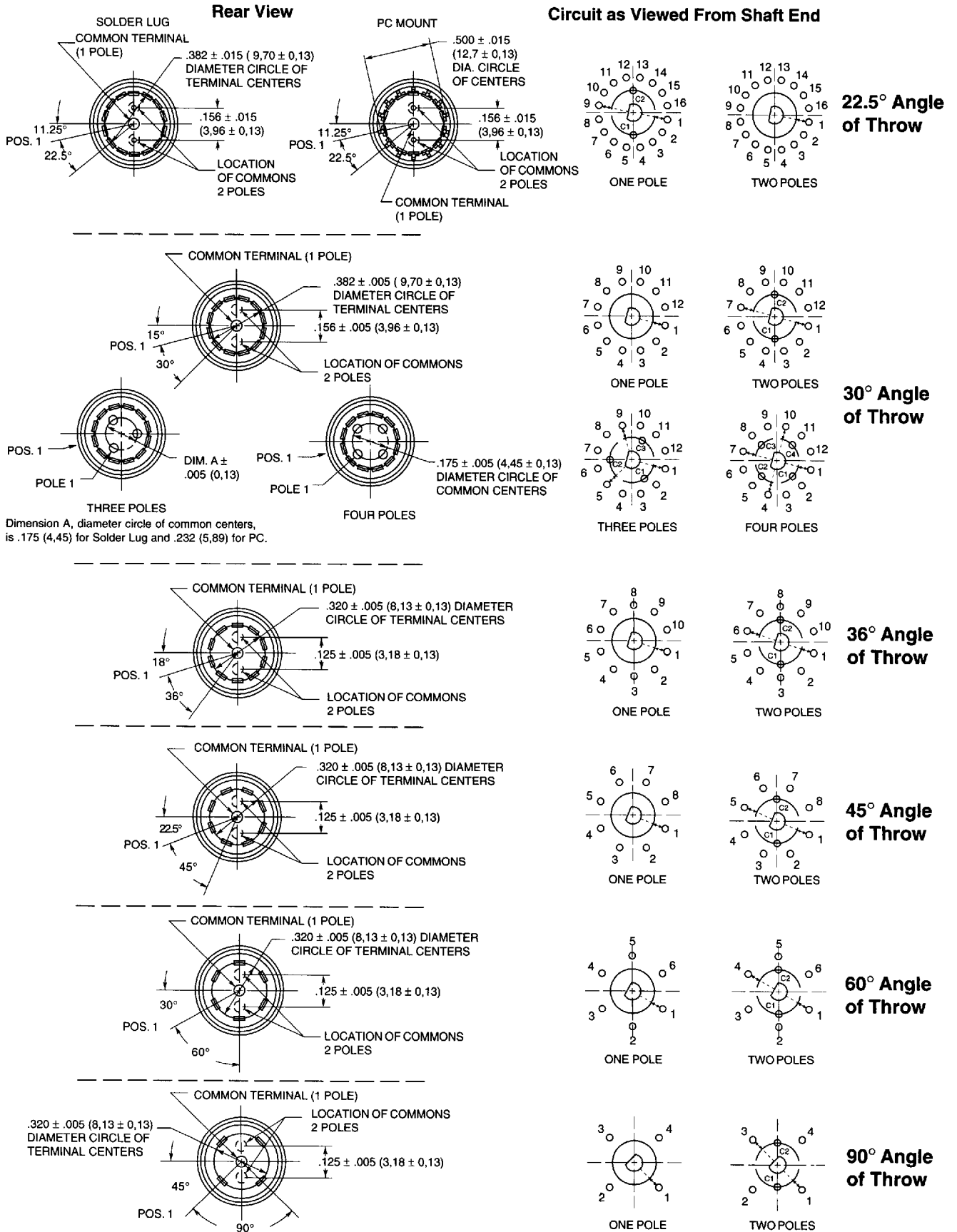
Front view same as PC Mount style.

#### Terminal Detail



# 1/2" DIAMETER, 200 MA ROTARY SWITCHES

## CIRCUIT DIAGRAMS AND REAR VIEWS FOR SOLDER LUG TERMINALS AND PC MOUNTABLE



# 1/2" DIAMETER, 200 MA ROTARY SWITCHES

## SPECIFICATIONS

### Military Qualification

The dimensions for qualified switches are the same as those indicated in the drawings of standard switches. Switches with standard variations, such as shaft and bushing length, which do not affect switch performance, can be marked as qualified product. Contact GRAYHILL for complete information on variations.

**36°, 45°, 60°, 90° (Series 50)** — The C and M style switches are qualified to MIL-S-3786/20. They include the following:

- Solder lug terminals
- With or without panel seal

Series 50 qualified switches may be ordered by the 'M' number or by the GRAYHILL part number.

**30° (Series 51)** — The C and M style switches are qualified to MIL-S-3786/35. They include the following:

- Solder lug or PC terminals
- Adjustable stops
- With or without panel seal

Series 51 qualified switches may be ordered by the 'M' number or by the GRAYHILL part number.

### Electrical Ratings

**Life Expectancy:** With the limiting criteria stated here, the Series 50 and 51 with non-shorting contacts will switch the following loads at atmospheric and reduced pressures for 25,000 cycles of operations. One cycle is 360° rotation clockwise and 360° return.

At 85°C, atmospheric pressure	
200 mA,	28 Vdc resistive
150 mA,	115 Vac resistive
30 mA,	28 Vdc inductive
100 mA,	28 Vdc lamp load
75 mA,	220 Vac lamp load

At 25°C, reduced pressure (70,000 feet)	
200 mA,	28 Vdc resistive
150 mA,	115 Vac resistive
75 mA,	220 Vac resistive

**Contact Resistance:** 20 milliohms maximum, (10 milliohms initially).

**Insulation Resistance:** 1,000 megohms minimum between mutually insulated parts.

**Voltage Breakdown:** 600 Vac minimum between mutually insulated parts at standard atmospheric pressure.

**Life Expectancy:** Listed for the voltage source and make and break current levels. Contact GRAYHILL for more information if any of the following is true: the life limiting criteria are more critical than those listed; longer operation is required; a larger make and break current is required; the operating environment includes elevated temperatures or reduced pressures.

**Contact Carry Rating:** Switch will carry 6 amperes continuously with a maximum contact temperature rise of 20°C.

## SPECIFICATIONS—Other

### Additional Characteristics

**Contact Type and Forces:** Shorting or non-shortening wiping contacts with over 80 grams of contact force.

**Shaft Flat Orientation:** Flat opposite contact position of pole number one (see circuit diagrams).

**Terminals:** Switches have the full circle of terminals, regardless of number of active position.

**Stop Strength:** 7.5 pound-inches minimum

**Rotational Torque:** 8–24 ounce-inches, depending on the number of poles.

### Materials and Finishes

**Switch Base:** Thermoset

**Detent Rotor:** Nylon

**Shaft, Stop Blades, Stop Arm, Thrust Washer, and Retaining Ring:** Stainless Steel

**Detent Balls:** Steel, Nickel plated

**Bushing:** Zinc, Cadmium plated\*

**Detent and Contact Springs:** Stainless Steel

**Common Ring:** Brass, Gold plate over Silver plate

**Terminals:** Brass, Gold plated over Silver plate and Nickel plate

**Rotor Contact:** Precious metal alloy, gold plated

**Panel Seal:** Silicone rubber

**Shaft Seal:** Fluorosilicone

**Mounting Nuts:** Brass, cadmium plated\*

**Mounting Hardware:** One mounting nut .089" thick by .375" across flats and one internal tooth lockwasher are supplied with the switch.

\*Contact Grayhill for Cadmium free part requirements.

## PROCESS SEALED—Style T

Switch can be mounted on PC board with other components and subjected to wave soldering and conventional board cleaning techniques. No secondary wiring or soldering is necessary.

Bushing is O-ring sealed; epoxy potting seals the terminals and the rear of the switch. Designed for PC assembly, this sealing technique can also be applied to solder lug terminal switches. A bushing to panel seal can also be added to the process sealed versions. Military qualified versions are available, see ordering information.

# 1/2" DIAMETER, 200 MA ROTARY SWITCHES

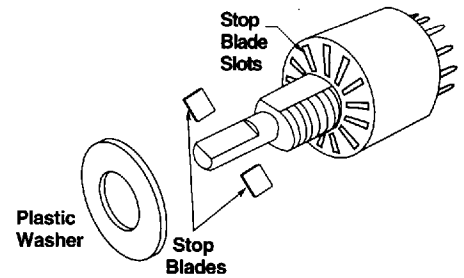
## SUGGESTED ADJUSTABLE STOP SUBSTITUTION GUIDE

Fixed Stop Style	Adj. Stop Style Equivalent	Fixed Stop Style	Adj. Stop Style Equivalent
50A	50D	51A	50D
50C	50CD	51C	51CD
50CP	50CDP	51CP	51CDP
50M	50CD*	51M	51CD*
50MP	50CDP*	51MP	51CDP*
50P	50DP	51P	51DP
50S	50D*	51S	51D*
50SP	50DP*	51SP	51DP*

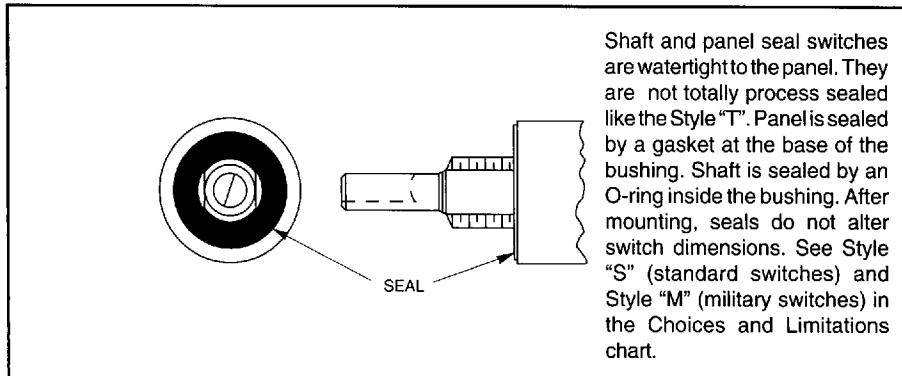
\*Form fit and function equivalents, but not watertight sealed to the panel.

## ADJUSTABLE STOPS—Style D

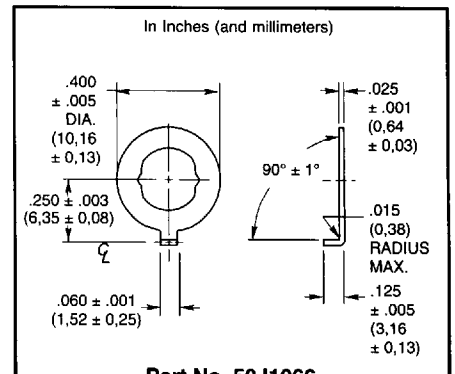
Adjustable stops permit the user to set and reset the number of positions per poles. Shown in the diagram, a plastic washer can be removed to reveal slots at the base of the bushing. Stop blades can be inserted into the appropriate slots to limit switch rotation. Positions per pole configuration can thus be changed to meet the needs of the application. Dimensions are the same as the fixed stop version, when plastic washer is in place. Most desirable for prototype work. Readily available from local distributor.



## SHAFT AND PANEL SEAL—Styles S and M



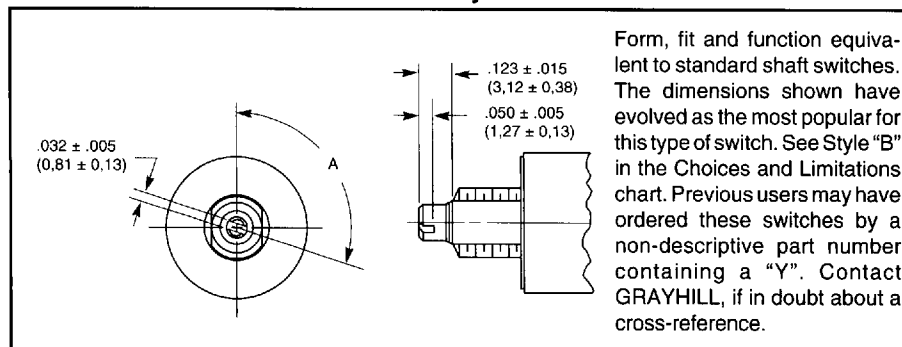
## ACCESSORY—Non-Turn Washers



### Part No. 50J1066

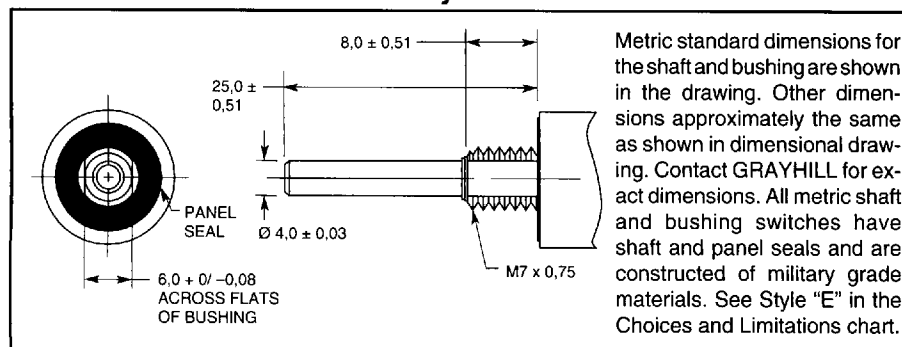
Cut round hole for the bushing and for the non-turn tab. Washer fits the double D bushing flats. Washer is sold only when accompanied by an order for a like number of switches. Washer is 302 stainless steel.

## SCREWDRIVER SLOTTED SHAFT—Style B

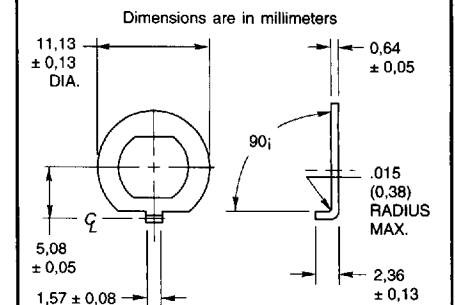


Form, fit and function equivalent to standard shaft switches. The dimensions shown have evolved as the most popular for this type of switch. See Style "B" in the Choices and Limitations chart. Previous users may have ordered these switches by a non-descriptive part number containing a "Y". Contact GRAYHILL, if in doubt about a cross-reference.

## METRIC SHAFT AND BUSHING—Style E



Metric standard dimensions for the shaft and bushing are shown in the drawing. Other dimensions approximately the same as shown in dimensional drawing. Contact GRAYHILL for exact dimensions. All metric shaft and bushing switches have shaft and panel seals and are constructed of military grade materials. See Style "E" in the Choices and Limitations chart.



### Part No. 71J1103

Designed to fit the double flatted bushing of the metric dimensioned bushing, this non-turn washer permits a round hole for the bushing and the tab while still preventing switch rotation. Washer is only sold when accompanied by a like number of switches. Washer is 302 stainless steel.