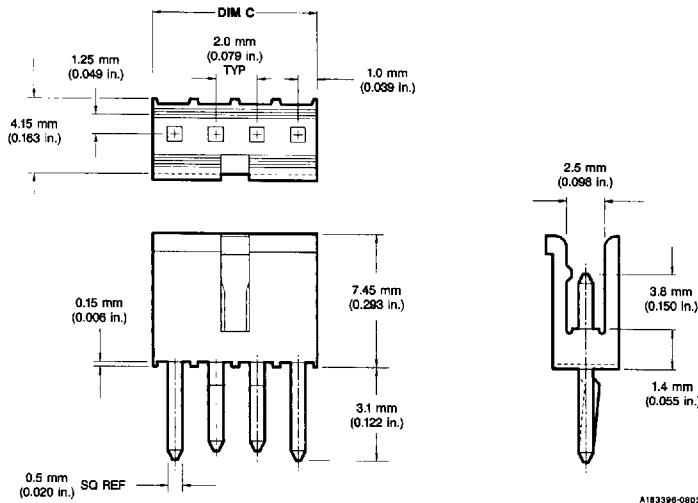
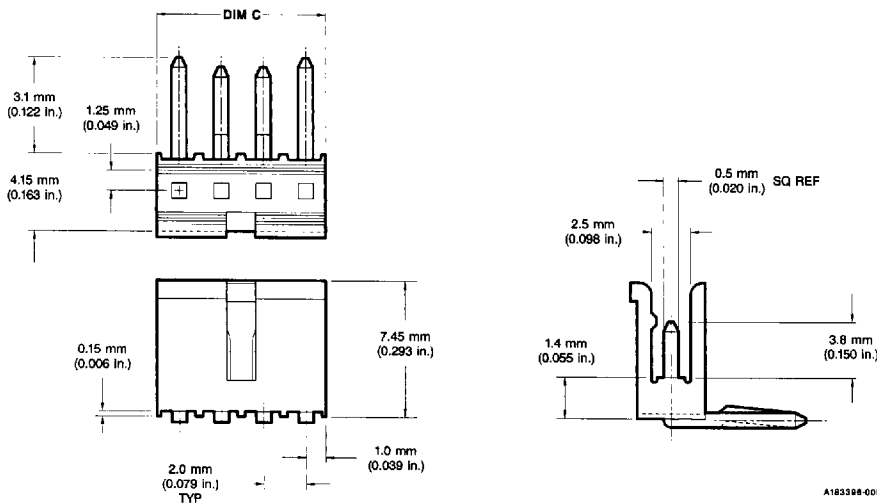


Description
Vertical Header
Part No. 78185



A183398-0803

Description
Right-Angle Header
Part No. 78186



A183398-0003

Ordering Data

Base number specifies header configuration.

□ □ □ □ □ - X X X

Dash number specifies number of positions.

Number of Positions	Dash Number	Dimension C	
		mm	in.
2	-002	4.00	0.157
3	-003	6.00	0.236
4	-004	8.00	0.315
5	-005	10.00	0.394
6	-006	12.00	0.472
7	-007	14.00	0.551
8	-008	16.00	0.630
9	-009	18.00	0.709
10	-010	20.00	0.787
11	-011	22.00	0.866
12	-012	24.00	0.945
13	-013	26.00	1.024
14	-014	28.00	1.102
15	-015	30.00	1.181

"Kinking" feature for straight and right-angle header
for 2 positions: both pins "kinked"
for 3 positions: first and last pins "kinked"
for 4-15 positions: second and second-last pins "kinked"

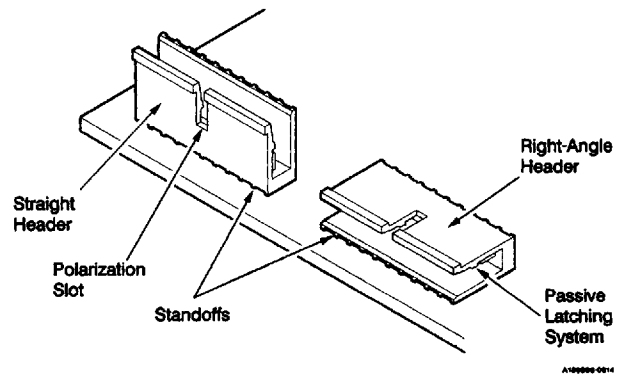
Ordering data shown is for our standard product offering. For non-standard or custom products, contact your authorized Berg Electronics representative.

9005411 0002489 123

Shrouded Headers

2.0 mm (0.079 in.) Centerline

Duramate™ Headers



Features

- 1-row: 2 through 15 positions.
- Available in vertical and right-angle through-mount configurations.
- Passive latching between housing and header body enables connector to withstand high shock and vibration.
- Polarization slot ensures proper mating.
- Standoffs allow for easy cleaning of PCB.
- Tapered edges for easy engagement.


Mating Data


Mates with Berg Electronics Duramate receptacle.

Berg Electronics Products Page

- Duramate receptacle/housing assembly only 11-4

Approvals and Certifications

 File no. E66906

 File no. LR46923

Technical Data

Materials

- Header Glass-filled nylon (UL 94V-0)
 - ▶ Color Beige
- Pin Brass
- Applicable soldering processes wave

Operating Temperature

- Temperature range -40° to +105°C

Electrical Performance

- Withstanding voltage 650 V
- Insulation resistance 1000 MΩ min
- Current rating 2 amp ac/dc
- Voltage rating 200 V ac/dc
- Contact resistance 20 mΩ max

Mechanical Performance

- Durability (mating cycles) 100

Plating

- Pin
 - ▶ Underplate 1 μm (40 μin.) copper
 - ▶ Finish 3.0 μm (120 μin.) min tin-lead

Packaging

- Bags

Customer Support Materials

Description	Order No.	Description	Order No.
Customer Product Drawings.....	By Part Number	Product Samples.....	Upon Request
Product Specifications.....	DPS-12-001	Product Substitutions.....	Upon Request

9005411 0002488 297