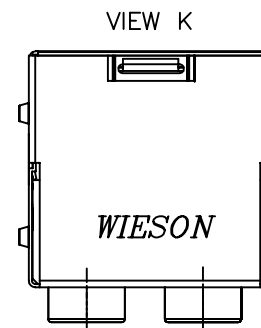
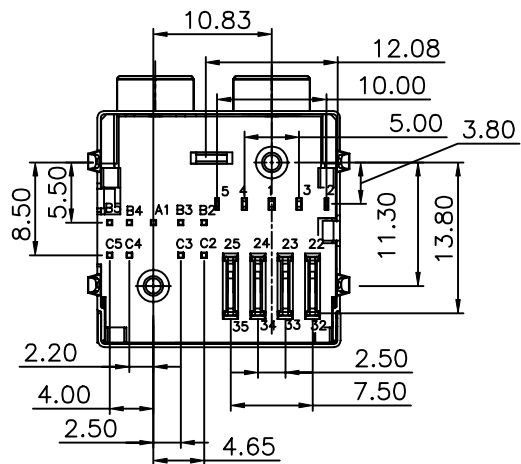
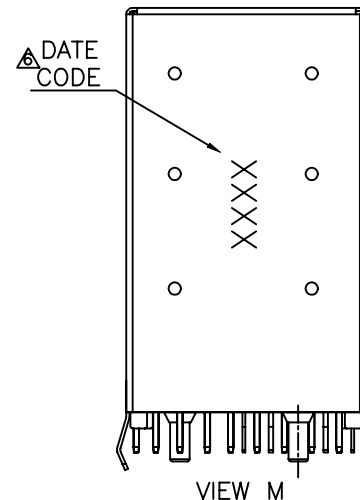
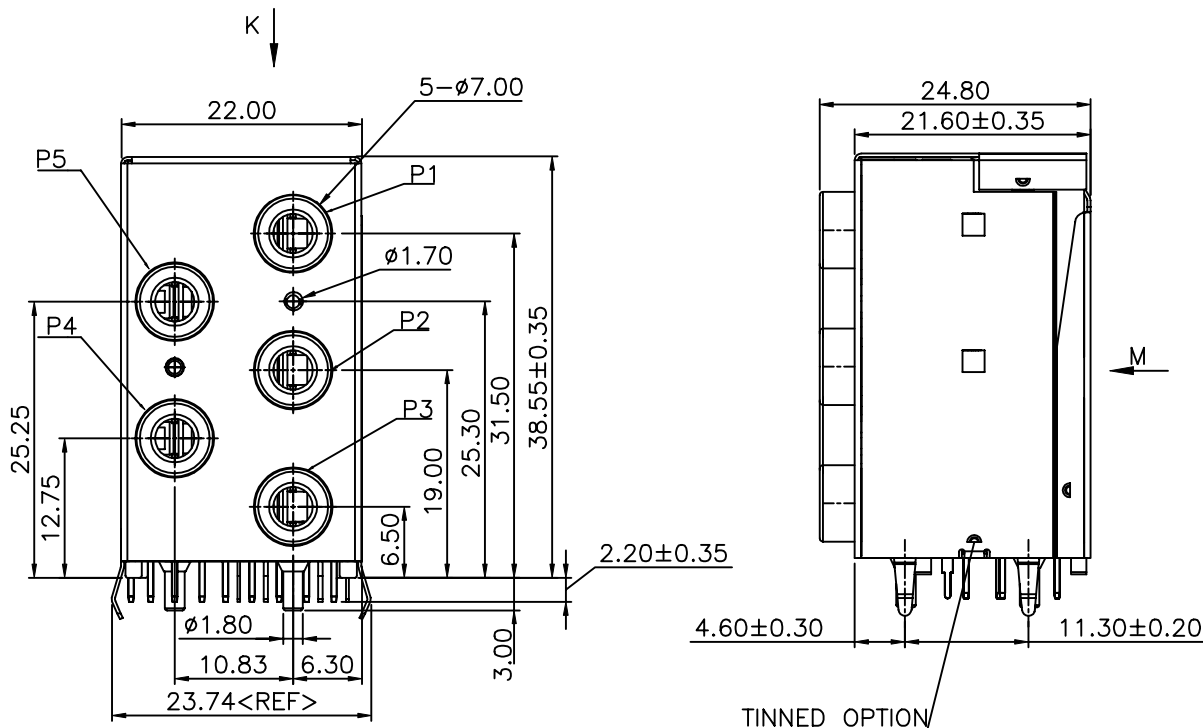


7287 SERIES 5 PORT AUDIO JACK CONNECTOR

REV	DATE	DESCRIPTION	ECN NO.	NAME
A	03.04.07	NEW RELEASE		JG-ZHOU
B	03.06.25	DELETE FRONT SHELL PLATED NICKEL	AK0306021	JG_ZHOU
C	03.07.10	ADD FRONT SHELL PLATED NICKEL	AK0307010	WPENG
D	03.07.17	MODIFY ORDER INFORMATION	AK0307012	WPENG
E	03.08.07	ADD KINKS TINNED OPTION	AK0308005	Dick
F	03.10.09	MODIFY ORDER INFORMATION	AK0310008	LCR
G	03.10.27	MODIFY DATE CODE	CECR03000603	Maike
H	04.09.02	MODIFY	AK0407012	XZ



GENERAL TOLERANCE $\pm 0.25$ mm GENERAL ANGLE TOLERANCE $\pm 3^\circ$	WIESON TECHNOLOGIES CO., LTD	PART NO.: *7287-50****		
	DRAWN BY	LXM	DRAWING NO. *7287-50****	
	CHECKED BY	JIMMY	DRAWING SIZE	A4
	APPROVED BY	JERRY	UNIT	mm
	SORTING NO.	(WSC)	PAGE	1 OF 2

ISSUED

REV	DATE	DESCRIPTION	ECN NO.	NAME
A	03.04.07	NEW RELEASE		JG-ZHOU
B	03.06.25	DELETE FRONT SHELL PLATED NICKEL	AK0306021	JG_ZHOU
C	03.07.10	ADD FRONT SHELL PLATED NICKEL	AK0307010	WPENG
D	03.07.17	MODIFY ORDER INFORMATION	AK0307012	WPENG
E	03.08.07	ADD KINKS TINNED OPTION	AK0308005	Dick
F	03.10.09	MODIFY ORDER INFORMATION	AK0310008	LCR
G	03.10.27	MODIFY DATE CODE	CECRO3000603	Maiké
H	04.09.02	MODIFY	AK0407012	XZ

# 7287 SERIES 5 PORT AUDIO JACK CONNECTOR

## MATERIAL

FRONT & BACK SHELL: SPCC-SD T=0.3mm.  
 TERMINAL: COPPER ALLOY  
 COVER: SEE ORDER INFORMATION  
 COVER COLOR: BLACK  
 HOUSING: THERMOPLASTIC  
 HOUSING COLOR: SEE ORDER INFORMATION

## PLATING:

FRONT SHELL: SEE ORDER INFORMATION

BACK SHELL: Ni PLATED.

TERMINAL: SELECTIVE Au PLATING IN CONTACT AREA Sn/Pb (FOR 7287-50\*\*\*\*) OR Sn (FOR G7287-50\*\*\*\*) IN SOLDER TAIL

ORDER INFORMATION

\* 7287-50 \*\* \* \*

## FRONT SHELL PLATING:

- 1: WELDABLE Ni PLATED. Sn/Pb (FOR 7287-50\*\*\*\*) OR Sn (FOR G7287-50\*\*\*\*) PLATED AT KINKS
- 2: Sn/Pb (FOR 7287-50\*\*\*\*) OR Sn (FOR G7287-50\*\*\*\*) PLATED
- 3: Ni PLATED.

## TERMINAL PLATING:

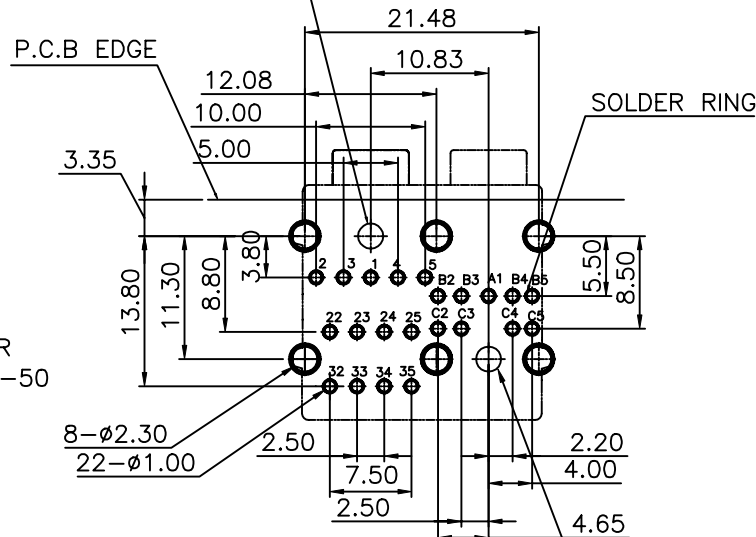
- 1: 1u" Au
- 2: 5u" Au
- 3: 15u" Au

- 00: WITHOUT LOGO, P1 BLUE; P2 LIME; P3 PINK; P4 YELLOW; P5 BLACK, (COVER: NYLON 66+30%G.F)
- 01: WITH WIESON LOGO, P1 BLUE; P2 LIME; P3 PINK; P4 YELLOW; P5 BLACK, (COVER: NYLON 66+30%G.F)
- 10: WITHOUT LOGO, P1 BLUE; P2 LIME; P3 PINK; P4 YELLOW; P5 BLACK, (COVER: LCP)
- 11: WITH WIESON LOGO, P1 BLUE; P2 LIME; P3 PINK; P4 YELLOW; P5 BLACK, (COVER: LCP)

" "NORMAL PRODUCT  
 "G"GREEN PRODUCT

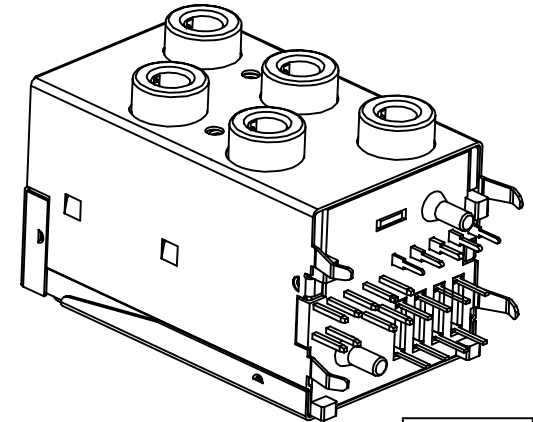
NOTE: PCB LAYOUT TOLERANCE: ±0.05mm.

FOR PLASTIC POST ONLY,  
 NO SOLDER RING NEEDED.

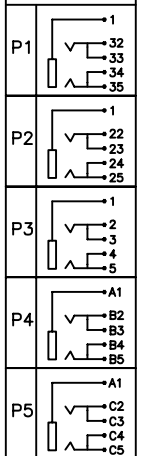


RECOMMENDED P.C.BOARD  
 HOLE LAYOUT

FOR PLASTIC POST ONLY,  
 NO SOLDER RING NEEDED.



## SCHEMATIC



GENERAL TOLERANCE ± 0.25 mm	WIESON TECHNOLOGIES CO., LTD		PART NO.: *7287-50****	
	WIESON			
GENERAL ANGLE TOLERANCE ± 3°	DRAWN BY	LXM	DRAWING NO.	*7287-50****
	CHECKED BY	JIMMY	DRAWING SIZE	A4
SORTING NO.	APPROVED BY	JERRY	UNIT	mm
		(WSC)	PAGE	2 OF 2

ISSUED

[ARTICLE:044033 V4]