

## FEATURES AND SPECIFICATIONS



CRC™

# Shielded Rectangular I/O Plug Housing

**55891**

## For Plug Assembly Male Terminal Type



### Features and Benefits

- Size four circuits
- For power applications
- Four mating polarization options
- Polarized to shell to facilitate proper assembly
- Fully shrouded to protect terminals

### Reference Information

Product Specification: PS-51300-004

Packaging: Tray

CSA File No.: LR19980

TUV File No.: R50012099

VDE 0110: 250V pollution degree III and over voltage category II

Mates With: 51300

Use With: 56193 male terminal; and 56380-1200 shell body; and 56381-1200 shell cover

Designed In: Millimeters

### Electrical

Voltage: 250V

Current: 15.0A\*

Contact Resistance: Terminal to Terminal: 10 milliohms max.

Shell to Shell: 50 milliohms max.

Dielectric Withstanding Voltage: 1500V AC/1 min.

Insulation Resistance: 1000 Megohms min.

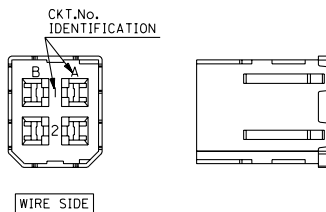
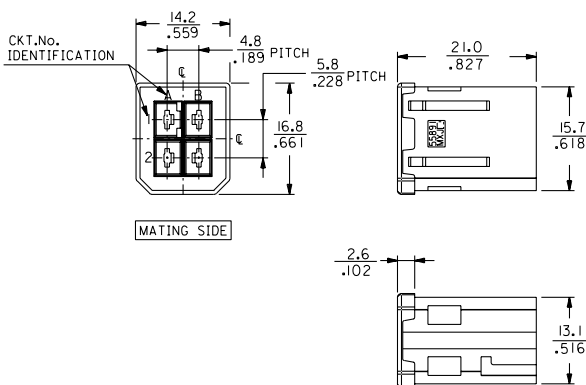
\* Total current is 50.0A max.

### Physical

Black glass-filled PBT, UL 94V-0

Operating Temperature: -40 to +105°C

## CATALOG DRAWING (FOR REFERENCE ONLY)



### <POLARITY KEY TYPE>

55891-0401	55891-0402	55891-0403	55891-0404
TYPE A	TYPE B	TYPE C	TYPE D

## ORDERING INFORMATION AND DIMENSIONS

Circuits	Order No.	Polarity Key Type	Polarity Position
4	55891-0401	Type A	A-1
4	55891-0402	Type B	A-2
4	55891-0403	Type C	B-1
4	55891-0404	Type D	B-2