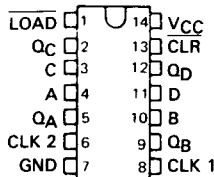


SN54196, SN54197, SN54LS196, SN54LS197, SN54S196, SN54S197, SN74196, SN74197, SN74LS196, SN74LS197, SN74S196, SN74S197 50/30/100-MHz PRESETTABLE DECADE OR BINARY COUNTERS/LATCHES

OCTOBER 1976—REVISED MARCH 1988

- Performs BCD, Bi-Quinary, or Binary Counting
- Fully Programmable
- Fully Independent Clear Input
- Input Clamping Diodes Simplify System Design
- Output QA Maintains Full Fan-out Capability In Addition to Driving Clock-2 Input

SN54196, SN54LS196, SN54S196,
SN54197, SN54LS197, SN54S197 . . . J OR W PACKAGE
SN74196, SN74197 . . . N PACKAGE
SN74LS196, SN74S196,
SN74LS197, SN74S197 . . . D OR N PACKAGE
(TOP VIEW)



TYPES	GUARANTEED		TYPICAL
	COUNT	FREQUENCY	
	CLOCK 1	CLOCK 2	
'196, '197	0-50 MHz	0-25 MHz	240 mW
'LS196, 'LS197	0-30 MHz	0-15 MHz	80 mW
'S196, 'S197	0-100 MHz	0-50 MHz	375 mW

description

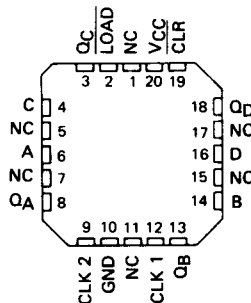
These high-speed monolithic counters consist of four d-c coupled, master-slave flip-flops, which are internally interconnected to provide either a divide-by-two and a divide-by-five counter ('196, 'LS196, 'S196) or a divide-by-two and a divide-by-eight counter ('197, 'LS197, 'S197). These four counters are fully programmable; that is, the outputs may be preset to any state by placing a low on the count/load input and entering the desired data at the data inputs. The outputs will change to agree with the data inputs independent of the state of the clocks.

During the count operation, transfer of information to the outputs occurs on the negative-going edge of the clock pulse. These counters feature a direct clear which when taken low sets all outputs low regardless of the states of the clocks.

These counters may also be used as 4-bit latches by using the count/load input as the strobe and entering data at the data inputs. The outputs will directly follow the data inputs when the count/load is low, but will remain unchanged when the count/load is high and the clock inputs are inactive.

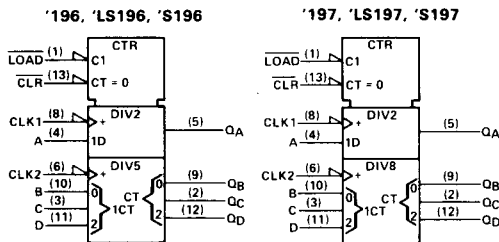
All inputs are diode-clamped to minimize transmission-line effects and simplify system design. These circuits are compatible with most TTL logic families. Series 54, 54LS, and 54S circuits are characterized for operation over the full military temperature range of -55°C to 125°C; Series 74, 74LS, and 74S circuits are characterized for operation from 0°C to 70°C.

SN54LS196, SN54S196,
SN54LS197, SN54S197 . . . FK PACKAGE
(TOP VIEW)



NC - No internal connection

logic symbols†



† These symbols are in accordance with ANSI/IEEE Std 91-1984 and IEC Publication 617-12.

Pin numbers shown are for D, J, N, and W packages.

2

TTL Devices

PRODUCTION DATA documents contain information current as of publication date. Products conform to specifications per the terms of Texas Instruments standard warranty. Production processing does not necessarily include testing of all parameters.

TEXAS
INSTRUMENTS

POST OFFICE BOX 655012 • DALLAS, TEXAS 75265

2-663

**SN54196, SN54197, SN54LS196, SN54LS197, SN54S196, SN54S197,
SN74196, SN74197, SN74LS196, SN74LS197, SN74S196, SN74S197
50/30/100-MHz PRESETTABLE DECADE OR BINARY COUNTERS/LATCHES**

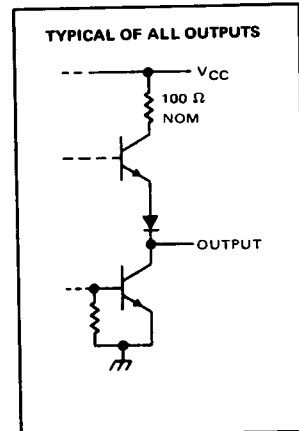
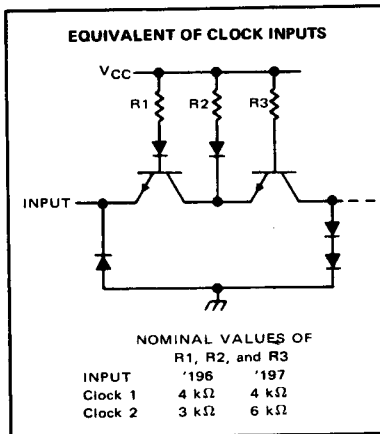
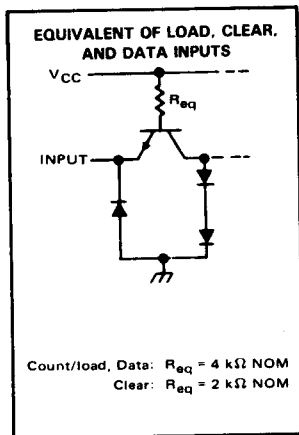
typical count configurations

'196, 'LS196, and 'S196 typical count configurations and function tables are the same as those for '176.
'197, 'LS197, and 'S197 typical count configurations and function tables are the same as those for '177.

logic diagrams

'196, 'LS196, and 'S196 logic diagrams are the same as those for '176.
'197, 'LS197, and 'S197 logic diagrams are the same as those for '177.

schematics of inputs and outputs



2
TTL Devices

SN54196, SN54197, SN74196, SN74197 50-MHz PRESETTABLE DECADE OR BINARY COUNTERS/LATCHES

absolute maximum ratings over operating free-air temperature range (unless otherwise noted)

Supply voltage, V_{CC} (see Note 1)	7 V
Input voltage	5.5 V
Intermitter voltage (see Note 2)	5.5 V
Operating free-air temperature range: SN54196, SN54197 Circuits	-55°C to 125°C
SN74196, SN74197 Circuits	0°C to 70°C
Storage temperature range	-65°C to 150°C

- NOTES: 1. Voltage values are with respect to network ground terminal.
 2. This is the voltage between two emitters of a multiple-emitter transistor. For this circuit, this rating applies between the Clear and Load inputs.

recommended operating conditions

		SN54196, SN54197			SN74196, SN74197			UNIT		
		MIN	NOM	MAX	MIN	NOM	MAX			
Supply voltage, V_{CC}		4.5	5	5.5	4.75	5	5.25	V		
High-level output current, I_{OH}		-800			-800			μ A		
Low-level output current, I_{OL}		16			16			mA		
Count frequency	Clock-1 input	0		50	0		50	MHz		
	Clock-2 input	0		25	0		25			
Pulse width, t_w	Clock-1 input	10			10			ns		
	Clock-2 input	20			20					
	Clear	15			15					
	Load	20			20					
Input hold time, t_H (see Note 3)	High-level data	$t_w(\text{load})$			$t_w(\text{load})$			ns		
	Low-level data	$t_w(\text{load})$			$t_w(\text{load})$					
Input setup time, t_{SU} (see Note 3)	High-level data	10			10			ns		
	Low-level data	15			15					
Count enable time, t_{EN} (see Note 4)		20			20			ns		
Operating free-air temperature, T_A		-55			125			0	70	°C

- NOTES: 3. Setup and hold times are with respect to the falling edge of the load input.
 4. Minimum count enable time is the interval immediately preceding the negative-going edge of the clock pulse during which interval the count/load and clear inputs must both be high to ensure counting.

2

TTL Devices

SN54196, SN54197, SN74196, SN74197 50-MHz PRESETTABLE DECADE OR BINARY COUNTERS/LATCHES

electrical characteristics over recommended operating free-air temperature range (unless otherwise noted)

PARAMETER		TEST CONDITIONS†	SN54196, SN74196			SN54197, SN74197			UNIT
			MIN	TYP‡	MAX	MIN	TYP‡	MAX	
V _{IH}	High-level input voltage		2			2			V
V _{IL}	Low-level input voltage		0.8			0.8			V
V _{IK}	Input clamp voltage	V _{CC} = MIN, I _I = -12 mA	-1.5			-1.5			V
V _{OH}	High-level output voltage	V _{CC} = MIN, V _{IH} = 2 V, V _{IL} = 0.8 V, I _{OH} = -800 μA	2.4	3.4		2.4	3.4		V
V _{OL}	Low-level output voltage	V _{CC} = MIN, V _{IH} = 2 V, V _{IL} = 0.8 V, I _{OL} = 16 mA¶	0.2	0.4		0.2	0.4		V
I _I	Input current at maximum input voltage	V _{CC} = MAX, V _I = 5.5 V	1			1			mA
I _{IH}	High-level input current	Data, Load	40			40			μA
		Clear, clock 1	80			80			
		Clock 2	120			80			
I _{IL}	Low-level input current	Data, Load	-1.6			-1.6			mA
		Clear	-3.2			-3.2			
		Clock 1	-4.8			-4.8			
		Clock 2	-6.4			-3.2			
I _{OS}	Short-circuit output current‡	V _{CC} = MAX	SN54'	-20	-57	-20	-57	mA	
			SN74'	-18	-57	-18	-57		
I _{CC}	Supply current	V _{CC} = MAX, See Note 5	48	59		48	59	mA	

2

TTL Devices

NOTE 5: I_{CC} is measured with all inputs grounded and all outputs open.

†For conditions shown as MIN or MAX, use the appropriate value specified under recommended operating conditions.

‡All typical values are at V_{CC} = 5 V, T_A = 25°C.

§Not more than one output should be shorted at a time.

¶Q_A outputs are tested at I_{OL} = 16 mA plus the limit value of I_{IL} for the clock-2 input. This permits driving the clock-2 input while fanning out to 10 Series 54/74 loads.

switching characteristics, V_{CC} = 5 V, T_A = 25°C

PARAMETER #	FROM (INPUT)	TO (OUTPUT)	TEST CONDITIONS	SN54196 SN74196			SN54197 SN74197			UNIT
				MIN	TYP	MAX	MIN	TYP	MAX	
f _{max}	Clock 1	Q _A	C _L = 15 pF, R _L = 400 Ω, See Note 6	50	70		50	70		MHz
t _{PLH}	Clock 1	Q _A		7	12		7	12		ns
t _{PHL}				10	15		10	15		
t _{PLH}	Clock 2	Q _B		12	18		12	18		ns
t _{PHL}				14	21		14	21		
t _{PLH}	Clock 2	Q _C		24	36		24	36		ns
t _{PHL}				28	42		28	42		
t _{PLH}	Clock 2	Q _D		14	21		36	54		ns
t _{PHL}				12	18		42	63		
t _{PLH}	A, B, C, D	Q _A , Q _B , Q _C , Q _D		16	24		16	24		ns
t _{PHL}				25	38		25	38		
t _{PLH}	Load	Any		22	33		22	33		ns
t _{PHL}				24	36		24	36		
t _{PLH}	Clear	Any		25	37		25	37		ns
t _{PHL}										

#f_{max} = maximum count frequency.

t_{PLH} = propagation delay time, low-to-high-level output.

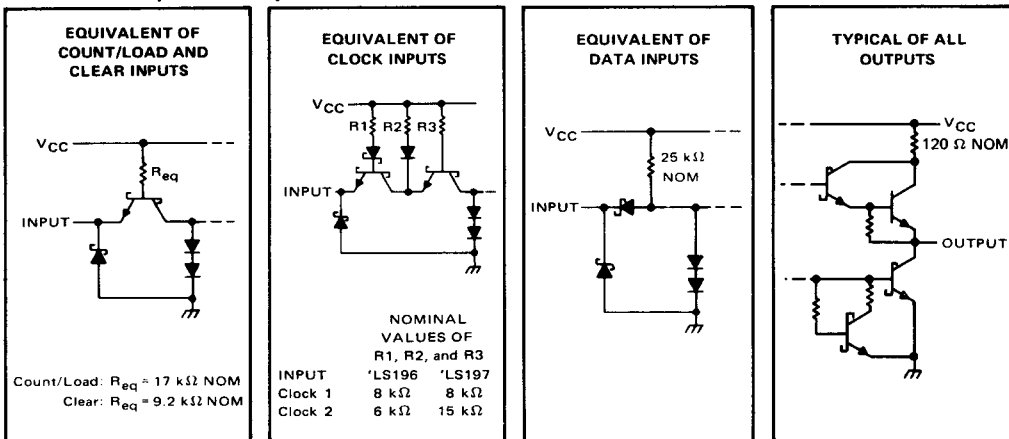
t_{PHL} = propagation delay time, high-to-low-level output.

NOTE 6: Load circuit, input conditions, and voltage waveforms are the same as those shown for the '176, '177 except that testing f_{max}.

V_{IL} = 0.3 V.

SN54LS196, SN54LS197, SN74LS196, SN74LS197 30-MHz PRESETTABLE DECADE OR BINARY COUNTERS/LATCHES

schematics of inputs and outputs



2

TTL Devices

absolute maximum ratings over operating free-air temperature range (unless otherwise noted)

Supply voltage, V_{CC} (see Note 1)	7 V
Input voltage	5.5 V
Operating free-air temperature range: SN54LS196, SN54LS197 Circuits	-55°C to 125°C
SN74LS196, SN74LS197 Circuits	0°C to 70°C
Storage temperature range	-65°C to 150°C

NOTE 1: Voltage values are with respect to network ground terminal.

recommended operating conditions

		SN54LS196, SN54LS197			SN74LS196, SN74LS197			UNIT
		MIN	NOM	MAX	MIN	NOM	MAX	
V_{CC}	Supply voltage	4.5	5	5.5	4.75	5	5.25	V
I_{OH}	High-level output current			-400			-400	μ A
I_{OL}	Low-level output current			4			8	mA
Count frequency	Clock-1 input	0	30	0	30			MHz
	Clock-2 input	0	15	0	15			
t_w	Pulse width	Clock-1 input	20		20			ns
		Clock-2 input	30		30			
		Clear	15		15			
		Load	20		20			
t_h	Input hold time, (see Note 3)	High-level data	$t_w(\text{load})$		$t_w(\text{load})$			ns
		Low-level data	$t_w(\text{load})$		$t_w(\text{load})$			
t_{su}	Input setup time, (see Note 3)	High-level data	10		10			ns
		Low-level data	15		15			
t_{enable}	Count enable time, (see Note 4)	Clock 1	30		30			ns
		Clock 2	50		50			
T_A	Operating free-air temperature	-55	125		0	70		°C

NOTES: 3. Setup and hold times are with respect to the falling edge of the load input.

4. Minimum count enable time is the interval immediately preceding the negative-going edge of the clock pulse during which interval the count/load and clear inputs must both be high to ensure counting.

SN54LS196, SN54LS197, SN74LS196, SN74LS197

30-MHz PRESETTABLE DECADE OR BINARY COUNTERS/LATCHES

electrical characteristics over recommended operating free-air temperature range (unless otherwise noted)

PARAMETER		TEST CONDITIONS†	SN54LS196		SN74LS196		UNIT
			MIN	TYP‡ MAX	MIN	TYP‡ MAX	
V _{IH} High-level input voltage			2		2		V
V _{IL} Low-level input voltage			0.7		0.8		V
V _{IK} Input clamp voltage		V _{CC} = MIN, I _I = -18 mA	-1.5		-1.5		V
V _{OH} High-level output voltage		V _{CC} = MIN, V _{IH} = 2 V, V _{IL} = V _{IL max} , I _{OH} = -400 µA	2.5	3.4	2.7	3.4	V
V _{OL} Low-level output voltage		V _{CC} = MIN, V _{IH} = 2 V, V _{IL} = V _{IL max}	I _{OL} = 4 mA‡ I _{OL} = 8 mA‡		0.25 0.4 0.25 0.5		V
I _I Input current at maximum input voltage	Data, Load	V _{CC} = MAX, V _I = 5.5 V			0.1		0.1
	Clear, clock 1				0.2		0.2
	Clock 2 of 'LS196				0.4		0.4
	Clock 2 of 'LS197				0.2		0.2
I _{IH} High-level input current	Data, Load	V _{CC} = MAX, V _I = 2.7 V			20		20
	Clear, clock 1				40		40
	Clock 2 of 'LS196				80		80
	Clock 2 of 'LS197				40		40
I _{IL} Low-level input current	Data, Load	V _{CC} = MAX, V _I = 0.4 V			-0.4		-0.4
	Clear				-0.8		-0.8
	Clock 1				-2.4		-2.4
	Clock 2 of 'LS196				-2.8		-2.8
	Clock 2 of 'LS197				-1.3		-1.3
I _{OS} Short-circuit output current§		V _{CC} = MAX	-20	-100	-20	-100	mA
I _{CC} Supply current		V _{CC} = MAX, See Note 5	16	27	16	27	mA

† For conditions shown as MIN or MAX, use the appropriate value specified under recommended operating conditions.

‡ All typical values are at V_{CC} = 5 V, T_A = 25°C.

§ Not more than one output should be shorted at a time, and duration of the short-circuit should not exceed one second.

¶ Q_A outputs are tested at specified I_{OL} plus the limit value of I_{IL} for the clock 2 input. This permits driving the clock 2 input while maintaining full fan-out capability.

NOTE 5. I_{CC} is measured with all inputs grounded and all outputs open.

switching characteristics, V_{CC} = 5 V, T_A = 25°C

PARAMETER#	FROM (INPUT)	TO (OUTPUT)	TEST CONDITIONS	SN54LS196		SN54LS197		UNIT
				MIN	TYP MAX	MIN	TYP MAX	
f _{max}	Clock 1	Q _A	C _L = 15 pF, R _L = 2 kΩ, See Note 6	30	40	30	40	MHz
t _{PLH}	Clock 1	Q _A		8	15	8	15	ns
t _{PHL}				13	20	14	21	
t _{PLH}	Clock 2	Q _B		16	24	12	19	ns
t _{PHL}				22	33	23	35	
t _{PLH}	Clock 2	Q _C		38	57	34	51	ns
t _{PHL}				41	62	42	63	
t _{PLH}	Clock 2	Q _D		12	18	55	78	ns
t _{PHL}				30	45	63	95	
t _{PLH}	A, B, C, D	Q _A , Q _B , Q _C , Q _D		20	30	18	27	ns
t _{PHL}				29	44	29	44	
t _{PLH}	Load	Any		27	41	26	39	ns
t _{PHL}				30	45	30	45	
t _{PHL}	Clear	Any		34	51	34	51	ns

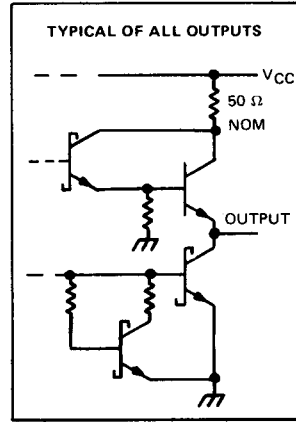
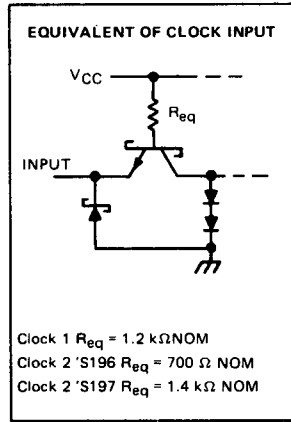
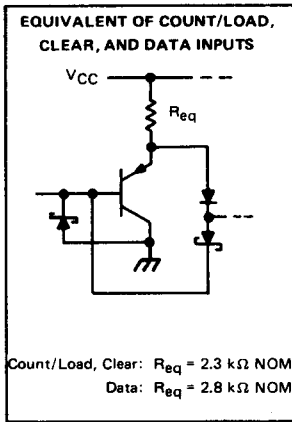
#f_{max} = maximum count frequency.

t_{PLH} = propagation delay time, low-to-high-level output, t_{PHL} = propagation delay time, high-to-low-level output.

NOTE 6: Load circuit, input conditions, and voltage waveforms are the same as those shown for the '176, '177 except that t_r ≤ 15 ns, t_f ≤ 6 ns, and V_{ref} = 1.3 V (as opposed to 1.5 V).

SN54S196, SN54S197, SN74S196, SN74S197 100-MHz PRESETTABLE DECADE OR BINARY COUNTERS/LATCHES

schematics of inputs and outputs



2

absolute maximum ratings over operating free-air temperature range (unless otherwise noted)

Supply voltage, V_{CC} (see Note 1)	7 V
Input voltage	5.5 V
Operating free-air temperature range: SN54S196, SN54S197 Circuits	-55°C to 125°C
SN74S196, SN74S197 Circuits	0°C to 70°C
Storage temperature range	-65°C to 150°C

NOTE 1: Voltage values are with respect to network ground terminal.

recommended operating conditions

		SN54S196, SN54S197			SN74S196, SN74S197			UNIT
		MIN	NOM	MAX	MIN	NOM	MAX	
Supply voltage, V_{CC}		4.5	5	5.5	4.75	5	5.25	V
High-level output current, I_{OH}					-1			mA
Low-level output current, I_{OL}					20			mA
Clock frequency	Clock-1 input	0		100	0		100	MHz
	Clock-2 input	0		50	0		50	
Pulse width, t_w	Clock-1 input	5			5			ns
	Clock-2 input	10			10			
	Clear	30			30			
	Load	5			5			
Input hold time, t_h (see Note 3)	High-level data	3!			3!			ns
	Low-level data	3!			3!			
Input setup time, t_{SU} (see Note 3)	High-level data	6!			6!			ns
	Low-level data	6!			6!			
Count enable time, t_{EN} (see Note 4)		12			12			ns
Operating free-air temperature, T_A		-55			125			°C

NOTES: 3. Setup and hold times are with respect to the falling edge of the load input.

4. Minimum count enable time is the interval immediately preceding the negative-going edge of the clock pulse during which interval the count/load and clear inputs must both be high to ensure counting.

TTL Devices

SN54S196, SN54S197, SN74S196, SN74S197

100-MHz PRESETTABLE DECADE OR BINARY COUNTERS/LATCHES

electrical characteristics over recommended operating free-air temperature range (unless otherwise noted)

PARAMETER		TEST CONDITIONS †		SN54S196, SN74S196			SN54S197, SN74S197			UNIT
				MIN	TYP‡	MAX	MIN	TYP‡	MAX	
V _{IH}				2			2			V
V _{IL}				0.8			0.8			V
V _{IK}		V _{CC} = MIN, I _I = -18 mA		-1.2			-1.2			V
V _{OH}		V _{CC} = MIN, V _{IH} = 2 V, V _{IL} = 0.8 V, I _{OH} = -1 mA		54S			2.5 3.4			V
				74S			2.7 3.4			
V _{OL}		V _{CC} = MIN, V _{IH} = 2 V, I _{OL} = 20 mA, V _{IL} = 0.8 V		0.5			0.5			V
I _I		V _{CC} = MAX, V _I = 5.5 V		1			1			mA
I _{IH}		Clock 1, clock 2		150			150			µA
		All other inputs		50			50			
I _{IL}		Data, Load Clear		-0.75			-0.75			mA
		Clock 1		-8			-8			
		Clock 2		-10			-6			
I _{OS} §		V _{CC} = MAX		-30 -110			-30 -110			mA
I _{CC}		V _{CC} = MAX, See Note 5		54S			75 110			mA
				74S			75 120			

† For conditions shown as MIN or MAX, use the appropriate value specified under recommended operating conditions.

‡ All typical values are at V_{CC} = 5 V, T_A = 25°C.

§ Q_A outputs are tested at I_{OL} = 20 mA plus the limit value of I_{IL} for the clock-2 input. This permits driving the clock-2 input while fanning out to 10 Series 54S/74S loads.

§ Not more than one output should be shorted at a time, and duration of the short-circuit should not exceed one second.

NOTE 5: I_{CC} is measured with all input grounded and all outputs open.

switching characteristics, V_{CC} = 5 V, T_A = 25°C

PARAMETER #	(FROM INPUT)	TO (OUTPUT)	TEST CONDITIONS	SN54S196, SN74S196			SN54S197, SN74S197			UNIT
				MIN	TYP	MAX	MIN	TYP	MAX	
f _{max}	Clock 1	Q _A	R _L = 280 Ω, C _L = 15 pF See Note 7	100	140		100	140		MHz
t _{PLH}	Clock 1	Q _A		5	10		5	10		ns
t _{PHL}				6	10		6	10		
t _{PLH}	Clock 2	Q _B		5	10		5	10		ns
t _{PHL}				8	12		8	12		
t _{PLH}	Clock 2	Q _C		12	18		12	18		ns
t _{PHL}				16	24		15	22		
t _{PLH}	Clock 2	Q _D		5	10		18	27		ns
t _{PHL}				8	12		22	33		
t _{PLH}	A,B,C,D	Q _A ,Q _B ,Q _C ,Q _D		7	12		7	12		ns
t _{PHL}				12	18		12	18		
t _{PLH}	Load	Any		10	18		10	18		ns
t _{PHL}				12	18		12	18		
t _{PHL}	Clear	Any		26	37		26	37		ns

#f_{max} = maximum count frequency.

t_{PLH} = propagation delay time, low-to-high-level output.

t_{PHL} = propagation delay time, high-to-low-level output.

NOTE 7: Load circuit, input conditions, and voltage waveforms are the same as those shown in Section 1

2

TTL Devices