

Rochester Electronics Manufactured Components

Rochester branded components are manufactured using either die/wafers purchased from the original suppliers or Rochester wafers recreated from the original IP. All recreations are done with the approval of the OCM.

Parts are tested using original factory test programs or Rochester developed test solutions to guarantee product meets or exceed the OCM data sheet.

Quality Overview

- ISO-9001
- AS9120 certification
- Qualified Manufacturers List (QML) MIL-PRF-35835
 - Class Q Military
 - Class V Space Level
- Qualified Suppliers List of Distributors (QSLD)
 - Rochester is a critical supplier to DLA and meets all industry and DLA standards.

Rochester Electronics, LLC is committed to supplying products that satisfy customer expectations for quality and are equal to those originally supplied by industry manufacturers.

The original manufacturer's datasheet accompanying this document reflects the performance and specifications of the Rochester manufactured version of this device. Rochester Electronics guarantees the performance of its semiconductor products to the original OEM specifications. 'Typical' values are for reference purposes only. Certain minimum or maximum ratings may be based on product characterization, design, simulation, or sample testing.

TYPES SN5422, SN54H22, SN54LS22, SN54S22, SN7422, SN74H22, SN74LS22, SN74S22

DUAL 4-INPUT POSITIVE-NAND GATES WITH OPEN-COLLECTOR OUTPUTS

REVISED DECEMBER 1983

- Package Options Include Both Plastic and Ceramic Chip Carriers in Addition to Plastic and Ceramic DIPs
- Dependable Texas Instruments Quality and Reliability

description

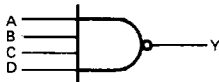
These devices contain two independent 4-input NAND gates. The open-collector outputs require pull-up resistors to perform correctly. They may be connected to other open-collector outputs to implement active-low wired-OR or active-high wired-AND functions. Open-collector devices are often used to generate higher V_{OH} levels.

The SN5422, SN54H22, SN54LS22 and SN54S22 are characterized for operation over the full military temperature range of -55°C to 125°C . The SN7422, SN74H22, SN74LS20 and SN74S22 are characterized for operation from 0°C to 70°C .

FUNCTION TABLE (each gate)

| INPUTS | | | | OUTPUT |
|--------|---|---|---|--------|
| A | B | C | D | Y |
| H | H | H | H | L |
| L | X | X | X | H |
| X | L | X | X | H |
| X | X | L | X | H |
| X | X | X | L | H |

logic diagram (each gate)

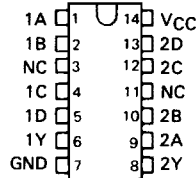


positive logic

$$Y = \overline{A \cdot B \cdot C \cdot D} \text{ or } Y = \overline{A} + \overline{B} + \overline{C} + \overline{D}$$

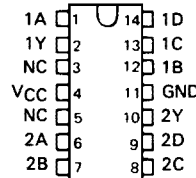
SN5422, SN54LS22, SN54S22 ... J OR W PACKAGE
SN54H22 ... J PACKAGE
SN7422, SN74H22 ... J OR N PACKAGE
SN74LS22, SN74S22 ... D, J OR N PACKAGE

(TOP VIEW)



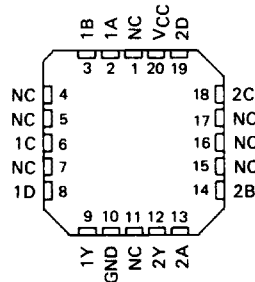
SN54H22 ... W PACKAGE

(TOP VIEW)



SN54LS22, SN54S22 ... FK PACKAGE
SN74LS22, SN74S22 ... FN PACKAGE

(TOP VIEW)



NC - No internal connection

3

TTL DEVICES

PRODUCTION DATA

This document contains information current as of publication date. Products conform to specifications per the terms of Texas Instruments standard warranty. Production processing does not necessarily include testing of all parameters.

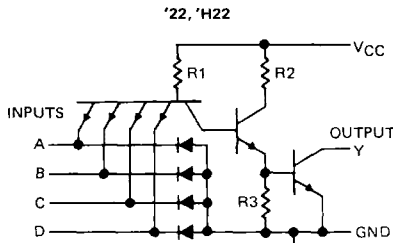
**TEXAS
INSTRUMENTS**

POST OFFICE BOX 225012 • DALLAS, TEXAS 75265

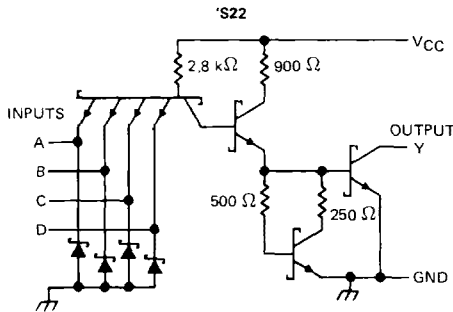
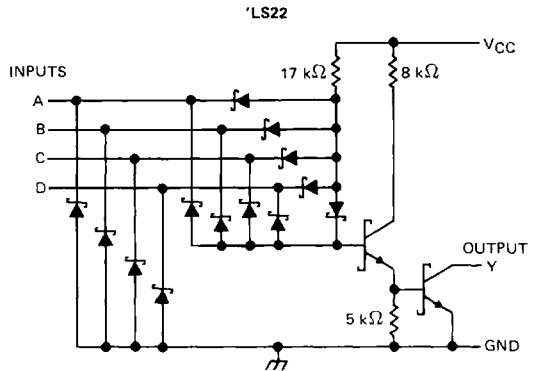
3-117

**TYPES SN5422, SN54H22, SN54LS22, SN54S22
SN7422, SN74H22, SN74LS22, SN74S22
DUAL 4-INPUT POSITIVE-NAND GATES WITH OPEN-COLLECTOR OUTPUTS**

schematics (each gate)



| CIRCUIT | R1 | R2 | R3 |
|---------|--------|--------|-------|
| '22 | 4 kΩ | 1.6 kΩ | 1 kΩ |
| 'H22 | 2.8 kΩ | 760 Ω | 470 Ω |



Resistor values shown are nominal.

3 TTL DEVICES

absolute maximum ratings over operating free-air temperature range (unless otherwise noted)

| | |
|---------------------------------------|----------------|
| Supply voltage, V_{CC} (see Note 1) | 7 V |
| Input voltage: '22, 'H22, 'S22 | 5.5 V |
| 'LS22 | 7 V |
| Operating free-air temperature: SN54' | -55°C to 125°C |
| SN74' | 0°C to 70°C |
| Storage temperature range | -65°C to 150°C |

NOTE 1: Voltage values are with respect to network ground terminal.

TYPES SN5422, SN7422

DUAL 4-INPUT POSITIVE-NAND GATES WITH OPEN-COLLECTOR OUTPUTS

recommended operating conditions

| | SN5422 | | | SN7422 | | | UNIT | | |
|---|--------|-----|-----|--------|-----|------|------|----|----|
| | MIN | NOM | MAX | MIN | NOM | MAX | | | |
| V _{CC} Supply voltage | 4.5 | 5 | 5.5 | 4.75 | 5 | 5.25 | V | | |
| V _{IH} High-level input voltage | 2 | | | 2 | | | V | | |
| V _{IL} Low-level input voltage | 0.8 | | | 0.8 | | | V | | |
| V _{OH} High-level output voltage | 5.5 | | | 5.5 | | | V | | |
| I _{OL} Low-level output current | 16 | | | 16 | | | mA | | |
| T _A Operating free-air temperature | - 55 | | | 125 | | | 0 | 70 | °C |

electrical characteristics over recommended operating free-air temperature range (unless otherwise noted)

| PARAMETER | TEST CONDITIONS† | MIN | TYP‡ | MAX | UNIT |
|------------------|---|-----|------|-------|------|
| V _{IK} | V _{CC} = MIN, I _I = - 12 mA | | | - 1.5 | V |
| I _{OH} | V _{CC} = MIN, V _{IL} = 0.8 V, V _{OH} = 5.5 V | | | 0.25 | mA |
| V _{OL} | V _{CC} = MIN, V _{IH} = 2 V, I _{OL} = 16 mA | | 0.2 | 0.4 | V |
| I _I | V _{CC} = MAX, V _I = 5.5 V | | | 1 | mA |
| I _{IH} | V _{CC} = MAX, V _I = 2.4 V | | | 40 | μA |
| I _{IL} | V _{CC} = MAX, V _I = 0.4 V | | | - 1.6 | mA |
| I _{CCH} | V _{CC} = MAX, V _I = 0 V | | 2 | 4 | mA |
| I _{CCL} | V _{CC} = MAX, V _I = 4.5 V | | 6 | 11 | mA |

† For conditions shown as MIN or MAX, use the appropriate value specified under recommended operating conditions.

‡ All typical values are at V_{CC} = 5 V, T_A = 25°C.

switching characteristics, V_{CC} = 5 V, T_A = 25°C (see note 2)

| PARAMETER | FROM (INPUT) | TO (OUTPUT) | TEST CONDITIONS | MIN | TYP | MAX | UNIT |
|------------------|--------------|-------------|--|-----|-----|-----|------|
| t _{PLH} | Any | Y | R _L = 4 k Ω, C _L = 15 pF | 35 | 45 | | ns |
| t _{PHL} | | | R _L = 400 Ω, C _L = 15 pF | 8 | 15 | | ns |

NOTE 2: See General Information Section for load circuits and voltage waveforms.

3

TTL DEVICES

TYPES SN54H22, SN74H22

DUAL 4-INPUT POSITIVE-NAND GATES WITH OPEN-COLLECTOR OUTPUTS

recommended operating conditions

| | SN54H22 | | | SN74H22 | | | UNIT |
|---|---------|-----|-----|---------|-----|------|------|
| | MIN | NOM | MAX | MIN | NOM | MAX | |
| V _{CC} Supply voltage | 4.5 | 5 | 5.5 | 4.75 | 5 | 5.25 | V |
| V _{IH} High-level input voltage | 2 | | | 2 | | | V |
| V _{IL} Low-level input voltage | | | 0.8 | | | 0.8 | V |
| V _{OH} High-level output voltage | | | 5.5 | | | 5.5 | V |
| I _{OL} Low-level output current | | | 20 | | | 20 | mA |
| T _A Operating free-air temperature | -55 | | 125 | 0 | | 70 | °C |

electrical characteristics over recommended operating free-air temperature range (unless otherwise noted)

| PARAMETER | TEST CONDITIONS† | MIN | TYP‡ | MAX | UNIT |
|------------------|---|-----|------|------|------|
| V _{IK} | V _{CC} = MIN, I _I = -8 mA | | | -1.5 | V |
| I _{OH} | V _{CC} = MIN, V _{IL} = 0.8 V, V _{OH} = 5.5 V | | | 0.25 | mA |
| V _{OL} | V _{CC} = MIN, V _{IH} = 2 V, I _{OL} = 20 mA | | 0.2 | 0.4 | V |
| I _I | V _{CC} = MAX, V _I = 5.5 V | | | 1 | mA |
| I _{IH} | V _{CC} = MAX, V _I = 2.4 V | | | 50 | μA |
| I _{IL} | V _{CC} = MAX, V _I = 0.4 V | | | -2 | mA |
| I _{CCH} | V _{CC} = MAX, V _I = 0 V | | 5 | 8.4 | mA |
| I _{CCL} | V _{CC} = MAX, V _I = 4.5 V | | 13 | 20 | mA |

† For conditions shown as MIN or MAX, use the appropriate value specified under recommended operating conditions.

‡ All typical values are at V_{CC} = 5 V, T_A = 25°C.

switching characteristics, V_{CC} = 5 V, T_A = 25°C (see note 2)

| PARAMETER | FROM (INPUT) | TO (OUTPUT) | TEST CONDITIONS | MIN | TYP | MAX | UNIT |
|------------------|--------------|-------------|--|-----|-----|-----|------|
| t _{PLH} | Any | Y | R _L = 280 Ω, C _L = 25 pF | | 10 | 15 | ns |
| t _{PHL} | | | | | 7.5 | 12 | ns |

NOTE 2: See General Information Section for load circuits and voltage waveforms.

3

TTL DEVICES

TYPES SN54LS22, SN74LS22

DUAL 4-INPUT POSITIVE-NAND GATES WITH OPEN-COLLECTOR OUTPUTS

recommended operating conditions

| | SN54LS22 | | | SN74LS22 | | | UNIT |
|--------------------------------------|----------|-----|-----|----------|-----|------|--------------|
| | MIN | NOM | MAX | MIN | NOM | MAX | |
| V_{CC} Supply voltage | 4.5 | 5 | 5.5 | 4.75 | 5 | 5.25 | V |
| V_{IH} High-level input voltage | 2 | | | 2 | | | V |
| V_{IL} Low-level input voltage | | | | 0.7 | | | V |
| V_{OH} High-level output voltage | | | | 5.5 | | | V |
| I_{OL} Low-level output current | | | | 8 | | | mA |
| T_A Operating free-air temperature | - 55 | | | 125 | | | $^{\circ}$ C |

electrical characteristics over recommended operating free-air temperature range (unless otherwise noted)

| PARAMETER | TEST CONDITIONS† | SN54LS22 | | SN74LS22 | | UNIT |
|-----------|--|----------|------|----------|-----|---------|
| | | MIN | TYP‡ | MAX | MIN | |
| V_{IK} | $V_{CC} = \text{MIN}, I_I = -18 \text{ mA}$ | | | - 1.5 | | V |
| I_{OH} | $V_{CC} = \text{MIN}, V_{IL} = \text{MAX}, V_{OH} = 5.5 \text{ V}$ | | | 0.1 | | mA |
| V_{OL} | $V_{CC} = \text{MIN}, V_{IH} = 2 \text{ V}, I_{OL} = 4 \text{ mA}$ | 0.25 | | 0.4 | | V |
| | $V_{CC} = \text{MIN}, V_{IH} = 2 \text{ V}, I_{OL} = 8 \text{ mA}$ | | | 0.35 | | |
| I_I | $V_{CC} = \text{MAX}, V_I = 7 \text{ V}$ | 0.1 | | 0.1 | | mA |
| I_{IH} | $V_{CC} = \text{MAX}, V_I = 2.7 \text{ V}$ | 20 | | 20 | | μ A |
| I_{IL} | $V_{CC} = \text{MAX}, V_I = 0.4 \text{ V}$ | - 0.4 | | - 0.4 | | mA |
| I_{CCH} | $V_{CC} = \text{MAX}, V_I = 0 \text{ V}$ | 0.4 | | 0.8 | | mA |
| I_{CCL} | $V_{CC} = \text{MAX}, V_I = 4.5 \text{ V}$ | 1.2 | | 2.2 | | mA |

† For conditions shown as MIN or MAX, use the appropriate value specified under recommended operating conditions.

‡ All typical values are at $V_{CC} = 5 \text{ V}, T_A = 25^{\circ}\text{C}$.

switching characteristics, $V_{CC} = 5 \text{ V}, T_A = 25^{\circ}\text{C}$ (see note 2)

| PARAMETER | FROM (INPUT) | TO (OUTPUT) | TEST CONDITIONS | | MIN | TYP | MAX | UNIT |
|-----------|--------------|-------------|----------------------------|-----------------------|-----|-----|-----|------|
| t_{PLH} | Any | Y | $R_L = 2 \text{ k}\Omega,$ | $C_L = 15 \text{ pF}$ | | 17 | 32 | ns |
| t_{PHL} | | | | | | 15 | 28 | ns |

NOTE 2: See General Information Section for load circuits and voltage waveforms.

3

TTL DEVICES

TYPES SN54S22, SN74S22
DUAL 4-INPUT POSITIVE-NAND GATES WITH OPEN-COLLECTOR OUTPUTS

recommended operating conditions

| | SN54S22 | | | SN74S22 | | | UNIT |
|---|---------|-----|-----|---------|-----|------|------|
| | MIN | NOM | MAX | MIN | NOM | MAX | |
| V _{CC} Supply voltage | 4.5 | 5 | 5.5 | 4.75 | 5 | 5.25 | V |
| V _{IH} High-level input voltage | 2 | | | 2 | | | V |
| V _{IL} Low-level input voltage | | | 0.8 | | | 0.8 | V |
| V _{OH} High-level output voltage | | | 5.5 | | | 5.5 | V |
| I _{OL} Low-level output current | | | 20 | | | 20 | mA |
| T _A Operating free-air temperature | -55 | 125 | | 0 | 70 | | °C |

electrical characteristics over recommended operating free-air temperature range (unless otherwise noted)

| PARAMETER | TEST CONDITIONS† | MIN | TYP‡ | MAX | UNIT | |
|------------------|---|-----|------|------|------|----|
| V _{IK} | V _{CC} = MIN, I _I = -18 mA | | | -1.2 | V | |
| I _{OH} | V _{CC} = MIN, V _{IL} = 0.8 V, V _{OH} = 5.5 V | | | 0.25 | mA | |
| V _{OL} | V _{CC} = MIN, V _{IH} = 2 V, I _{OL} = 20 mA | | | 0.5 | V | |
| I _I | V _{CC} = MAX, V _I = 5.5 V | | | 1 | mA | |
| I _{IH} | V _{CC} = MAX, V _I = 2.7 V | | | 50 | μA | |
| I _{IL} | V _{CC} = MAX, V _I = 0.5 V | | | -2 | mA | |
| I _{CCH} | V _{CC} = MAX, V _I = 0 V | | | 3 | 6.6 | mA |
| I _{CCL} | V _{CC} = MAX, V _I = 4.5 V | | | 10 | 18 | mA |

† For conditions shown as MIN or MAX, use the appropriate value specified under recommended operating conditions.

‡ All typical values are at V_{CC} = 5 V, T_A = 25°C.

switching characteristics, V_{CC} = 5 V, T_A = 25°C (see note 2)

| PARAMETER | FROM (INPUT) | TO (OUTPUT) | TEST CONDITIONS | MIN | TYP | MAX | UNIT |
|------------------|--------------|-------------|--|-----|-----|-----|------|
| t _{PLH} | Any | Y | R _L = 280 Ω, C _L = 15 pF | 2 | 5 | 7.5 | ns |
| t _{PHL} | | | | 2 | 4.5 | 7 | ns |
| t _{PLH} | | | R _L = 280 Ω, C _L = 50 pF | 7.5 | | ns | |
| t _{PHL} | | | | 7 | | ns | |

NOTE 2: See General Information Section for load circuits and voltage waveforms.

3

TTL DEVICES