

M60 CONNECTORS

SMT Plug and Socket

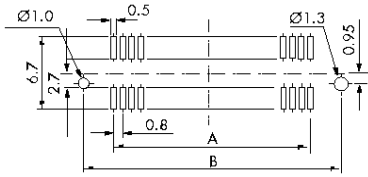
0.8mm PITCH

A range of double row 0.8mm pitch surface mount plug and socket for board to board stacking.

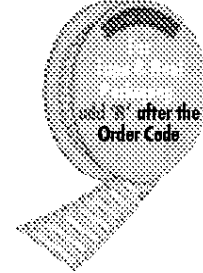
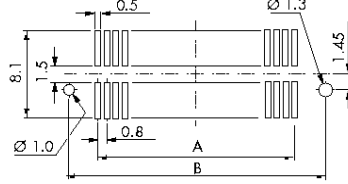
- High density connectors with surface mount leads.
- Variable stacking height between boards of 5mm - 9mm.
- Reliable contact design.
- Polarisation.

Recommended PC Board Pattern

Surface Mount Socket

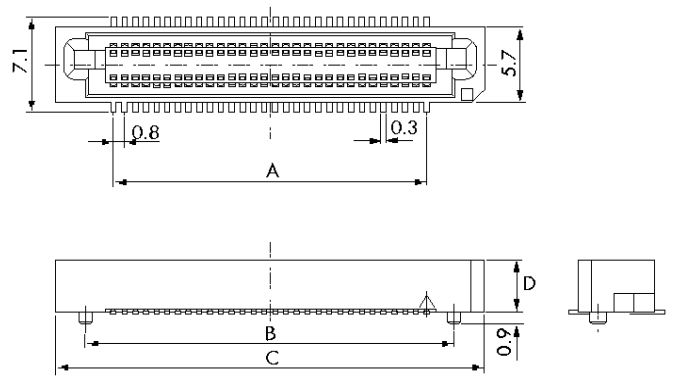
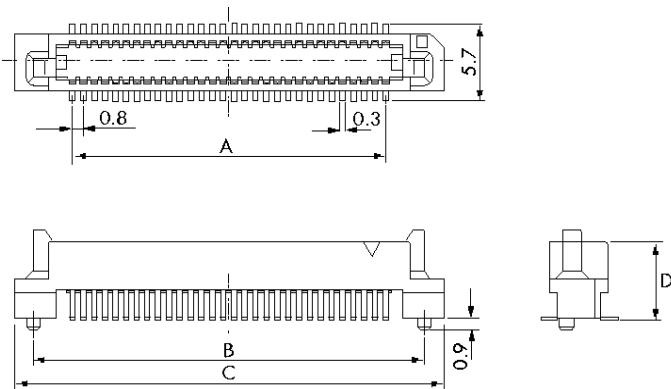


Surface Mount Plug



SURFACE MOUNT SOCKET

SURFACE MOUNT PLUG



No. of Ways	A	B	C	Order Code		
				D=4.0	D=5.0	D=6.0
10+10	7.2	12.8	15.8	M60-6041022	M60-6051022	M60-6061022
15+15	11.2	16.8	19.8	M60-6041522	M60-6051522	M60-6061522
20+20	15.2	20.8	23.8	M60-6042022	M60-6052022	M60-6062022
25+25	19.2	24.8	27.8	M60-6042522	M60-6052522	M60-6062522
30+30	23.2	28.8	31.8	M60-6043022	M60-6053022	M60-6063022
40+40	31.2	36.8	39.8	M60-6044022	M60-6054022	M60-6064022
50+50	39.2	44.8	47.8	M60-6045022	M60-6055022	M60-6065022

No. of Ways	A	B	C	Order Code	
				D=4.0	D=6.0
10+10	7.2	11.2	15.8	M60-6141022	M60-6161022
15+15	11.2	15.2	19.8	M60-6141522	M60-6161522
20+20	15.2	19.2	23.8	M60-6142022	M60-6162022
25+25	19.2	23.2	27.8	M60-6142522	M60-6162522
30+30	23.2	27.2	31.8	M60-6143022	M60-6163022
40+40	31.2	35.2	39.8	M60-6144022	M60-6164022
50+50	39.2	43.2	47.8	M60-6145022	M60-6165022

ORDER CODE

Use the table opposite to determine the board stacking height.

Socket/Plug	Board Stacking Height	
	M60-614	M60-616
M60-604	5mm	7mm
M60-605	6mm	8mm
M60-606	7mm	9mm