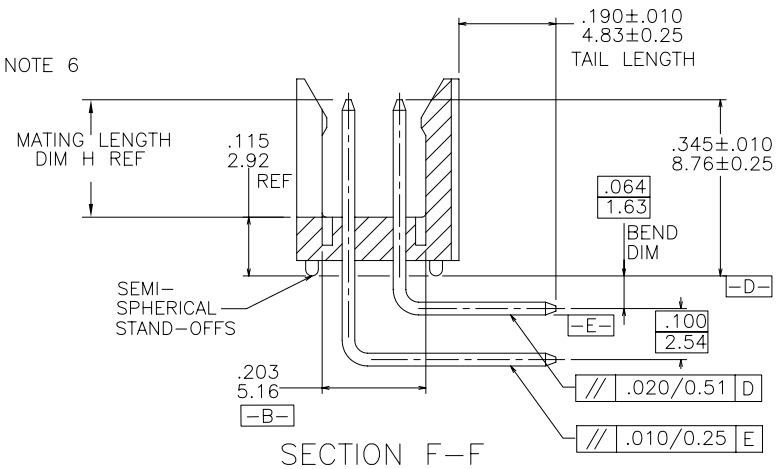
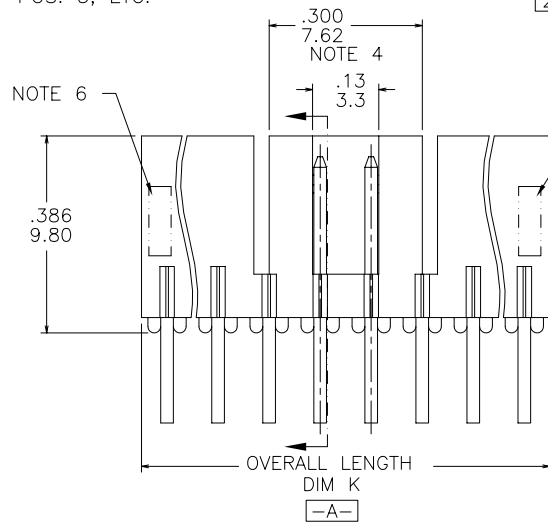
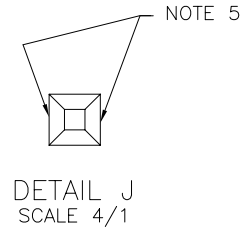
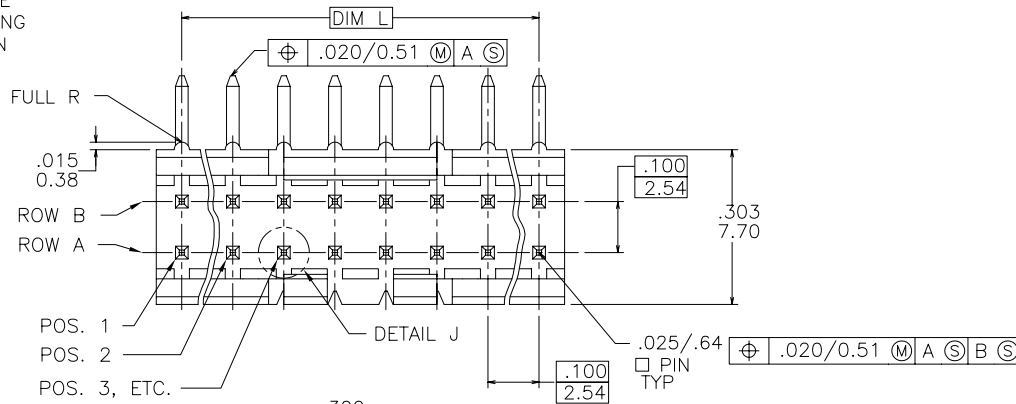


PRODUCT NO.

78947-YYYHLF

- LEAD FREE OPTION
NOTE 6, 7 & 8
- NO. OF POSITIONS
SEE TABLE
- PIN PLATING
- BASE P/N



FCIconnect.com

Copyright FCI

mat'l. code		surface ISO 1302 ✓		tolerance ISO 406 ISO 1101		projection ⊕		product family HEADER	
ltr		ecn no		date		tolerances unless otherwise specified		title	
A	V81763	EPK	105/98			.xx±.01/0.3	INCH/MM		FRICION LATCH HEADER DOUBLE ROW, R/A
B	M05-0134	ERE	06/15/05	angles	linear	.xxx±.005/0.13	scale 3:1		dwg no 78947
C	M06-0256	MHT	9/07/06	0'±2'		.xxx±.0020/0.051			sheet 1 of 2 size A3
				dr		E.KROPIEWNICKI		10/5/98	
				enr		H.SUNDY		10/5/98	
				chr		H.SUNDY		10/5/98	
				appd		H.SUNDY		10/5/98	
sheet index		revision sheet		C C					
		1 2							



PRODUCT NUMBER	NO OF POS	MATING LENGTH DIM H	OVERALL LENGTH DIM K	DIM L
78947-X06	2 X 3	.230/5.84	.300/7.62	.200/5.08
-X08	2 X 4	.230/5.84	.400/10.16	.300/7.62
-X10	2 X 5	.230/5.84	.500/12.70	.400/10.16
-X12	2 X 6	.230/5.84	.600/15.24	.500/12.70
-X14	2 X 7	.230/5.84	.700/17.78	.600/15.24
-X16	2 X 8	.230/5.84	.800/20.32	.700/17.78
-X18	2 X 9	.230/5.84	.900/22.86	.800/20.32
-X20	2 X 10	.230/5.84	1.000/25.40	.900/22.86
-X22	2 X 11	.230/5.84	1.100/27.94	1.000/25.40
-X24	2 X 12	.230/5.84	1.200/30.48	1.100/27.94
-X26	2 X 13	.230/5.84	1.300/33.02	1.200/30.48
-X28	2 X 14	.230/5.84	1.400/35.56	1.300/33.02
78947-X30	2 X 15	.230/5.84	1.500/38.10	1.400/35.56

NOTES:

- MOLDING MAT'L: GLASS REINFORCED PCT, COLOR: BLACK
FLAME RETARDANT PER UL 94 V-0
- PIN MATERIAL: 3/4 HD PHOS. BRZ.
- NO SLOTS ON 2 X 5 POSITION OR SMALLER PRODUCT. THE CENTER KEY SLOT WILL BE ON ALL HEADERS REGARDLESS OF SIZE.
- TWO NON-CRITICAL SIDES OF PIN TIP NOT PLATED, BOTH ENDS.
- COMPANY LOGO MAY APPEAR IN THIS AREA.
- ADD "HLF" SUFFIX AT THE END OF PART NUMBER FOR LEAD FREE OPTION, NOT AVAILABLE FOR -5YY, -5YYH, -6YY & -6YYH.
- PART NUMBERS WITH "H" SUFFIX WILL WITHSTAND EXPOSURE TO 260°C PEAK TEMPERATURE FOR 20 SECONDS IN WAVE SOLDER, INFRA-RED OR VAPOR PHASE SOLDER PROCESS.

PART NUMBERS WITHOUT "H" SUFFIX WILL WITHSTAND EXPOSURE TO 260°C PEAK TEMPERATURE FOR WAVE SOLDER PROCESS.
- THIS PRODUCT MEETS EUROPEAN UNION DIRECTIVES AND OTHER COUNTRY REGULATION AS DESCRIBED IN GS-22-008.
- PLATING OPTIONS:
MAY BE EITHER GOLD OR GXT PLATED AT MANUFACTURER'S OPTION.
- "THIS PRODUCT HAS 100% TIN PLATING IN THE INTERFACE AND HAS NOT BEEN TESTED FOR WHISKER GROWTH IN ALL INTERCONNECT ENVIRONMENTS."

PIN PLATING CODES

-1YY	30u"/.76u MIN (SEE NOTE 9) 50u"/1.27u Ni
-2YY	15u"/.38u MIN (SEE NOTE 9) 50u"/1.27u Ni
-3YY	50u"/1.27u MIN Au 50u"/1.27u Ni
-4YY	100u"/2.54u MIN Sn 50u"/1.27u Ni (SEE NOTE 10)
-4YYHLF	
-5YY	15u"/.38u MIN (SEE NOTE 9) 50u"/1.27u Ni
-6YY	30u"/.76u MIN (SEE NOTE 9) 50u"/1.27u Ni
-7YY	30u"/.76u Au OVER 50u"/1.27u Ni
-8YY	15u"/.38u Au OVER 50u"/1.27u Ni

mat'l. code		surface ISO 1302 <input checked="" type="checkbox"/>		tolerance ISO 406 ISO 1101		projection 		product family HEADER	
ltr	ecn	no	dr	date		tolerances unless otherwise specified		title	
C						angles	linear	FRICION LATCH HEADER DOUBLE ROW, R/A	
						0°±2'	.XX±.01/0.3 .xxx±.005/0.13 .xxx±.0020/0.051	INCH/MM scale 3:1	
						dr	E.KROPIEWNICKI	10/5/98	
						enfr	H.SUNDY	10/5/98	
						chr	H.SUNDY	10/5/98	
						appd	H.SUNDY	10/5/98	
sheet index	revision sheet							FCI type Product Customer Drawing	