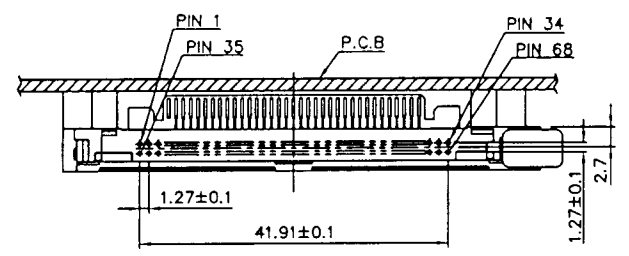
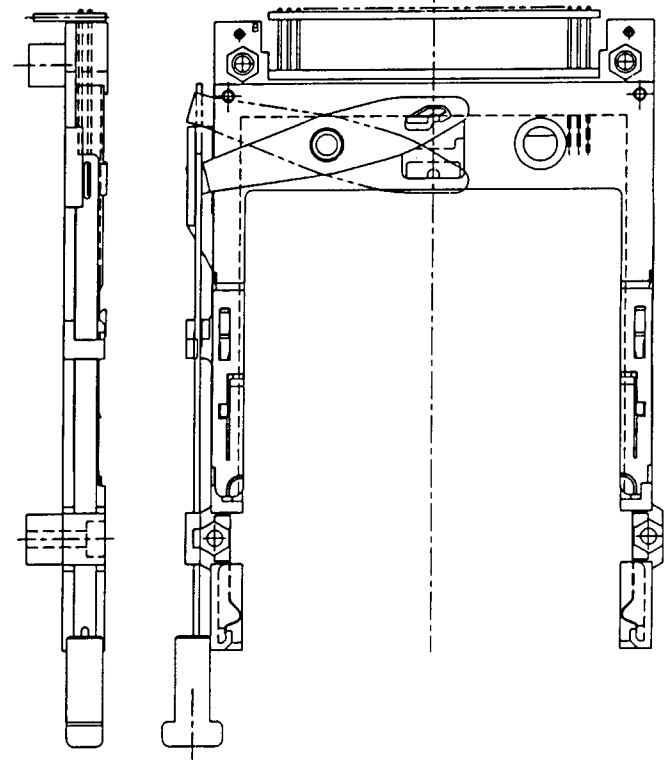
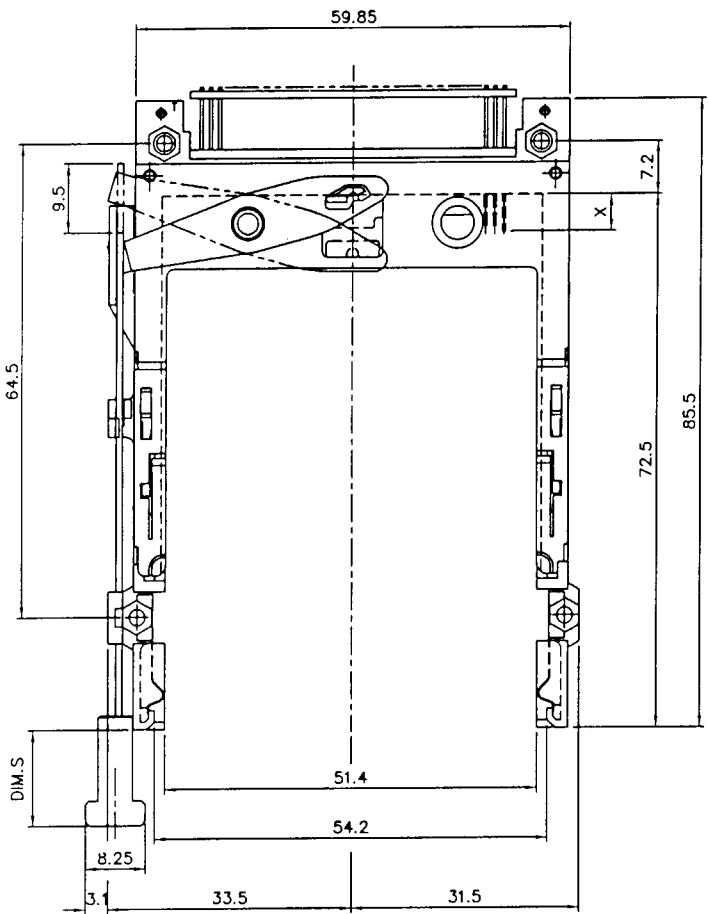
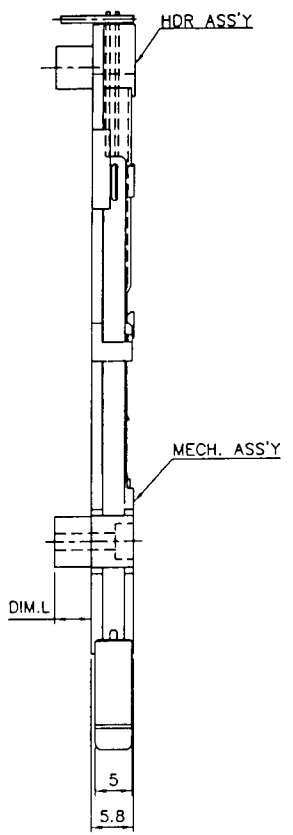


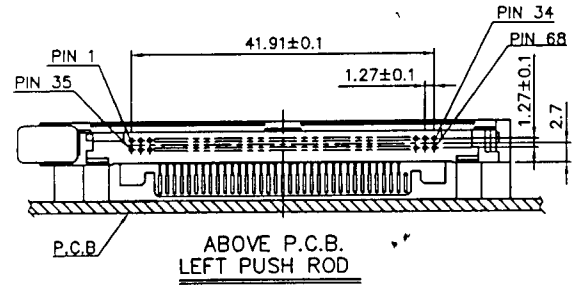


PRODUCT NO.  
95547-\*\*\*\*\*

Tous droits strictement réservés. Reproduction ou communication à des tiers sans autorisation écrite du propriétaire.  
All rights strictly reserved. Reproduction or issue to third parties in any form without written authority from the proprietor.  
Property of FCI ELECTRONICS.  
Copyright BEGO ELECTRONICS by FCI



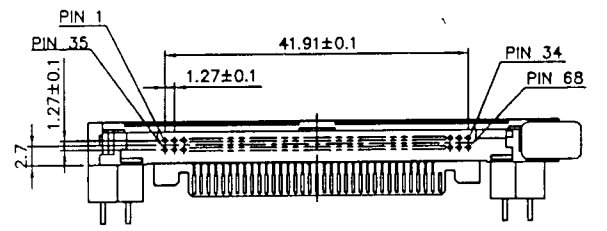
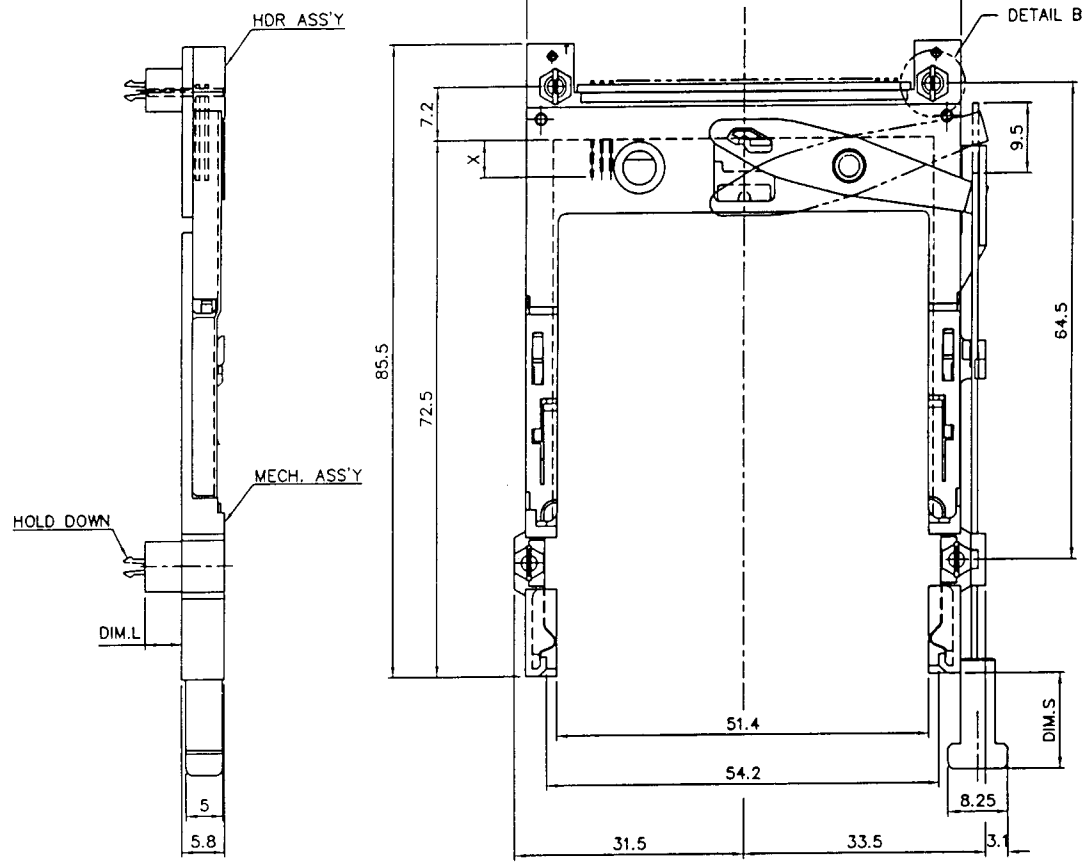
BELOW P.C.B.  
RIGHT PUSH ROD



ABOVE P.C.B.  
LEFT PUSH ROD

mat'l code		tolerance unless otherwise specified		CUSTOMER COPY	FCI ELECTRONICS	
rev.	ecn no.	dr	date	linear	projection	title
J				±0.3		EJECTOR HEADER ASS'Y 68POS. SMT TYPE 1/2/3
				angles ± 2'		product family : PCMCIA
		dr	WENDY CHEN 01/27/95	unit	mm/inch	code
		enr	JOSEPH HSIA 01/27/95	scale	1.4:1	TWN
		chr	JOSEPH HSIA 01/27/95	size	A3	sheet
		appd	JENN TSAO 01/27/95			2 of
sheet	revision					
index	sheet					

PRODUCT NO.  
95547-050\*\*H



NOTES:

1. 8mm MIN. CARD EJECT.
2. EJECT TRAVEL: 9.5mm
- ③ PUSH ROD LOCATION AND P.C.B. SIDE ARE AS APPEARS INSTALLED.
4. MATERIAL
  - 4.1 PART Ⓐ (HEADER ASS'Y)
    - PLASTIC : HOUSING ...LCP UL94V-0 BLACK
    - PIN : PHOSPHOR BRONZE
    - PCB : FR4
  - 4.2 PART Ⓑ (EJECT MECHANISM ASS'Y)
    - PLASTIC : GUIDE: POLYPHTHARAMID UL94V-0 BLACK
    - PUSH ROD CAP: POLYPHTHARAMID UL94V-0 BLACK
    - PLATE AND PUSH ROD : STAINLESS
    - EMI CONTACT: PHOSPHOR BRONZE
5. FINISH (PIN)
  - UNDER PLATING : 0.5 um MIN. Ni
  - CONTACT AREA : 0.1 um MIN. GOLD OVER
  - 0.5 um MIN. Pd-Ni( OTHER VERSIONS),
  - 0.1 um MIN. GOLD OVER 0.8um MIN. Pd-Ni (FOR 95547-250\*\* ONLY)
  - SOLDER TAIL : 2.5 um MIN. Sn-Pb

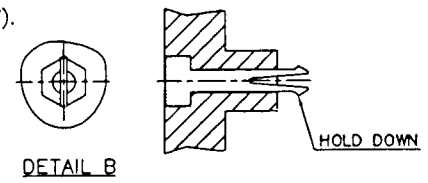
6. DIM "X"

4.25±0.1	3.5±0.1	5.0±0.1
OTHERS	36,67	1,17,34,35,51,68

7. TABLE J

**	DIM.S
CA	13.0
DA	15.6

8. ADD "H" TO PART NUMBER FOR OPTIONAL HOLD DOWN (4 PER ASSEMBLY).



mat'l code		tolerance unless otherwise specified		CUSTOMER COPY		ELECTRONICS	
rev. ecn no. dr date		linear		projection		FCI	
J		±0.3		A3		title	
		angles ± 2'		scale		EJECTOR HEADER ASS'Y	
dr WENDY CHEN 12/19/00		unit		product family : PCMCIA		code	
enrg JOSEPH HSIA 12/19/00		mm/inch		size		TWN	
chr JOSEPH HSIA 12/19/00		scale		A3		sheet	
appd JOSEPH HSIA 12/19/00		1.4:1		95547		3 of	
sheet	revision						
index	sheet						

Tous droits strictement reserves. Reproduction ou communication a des tiers int sous quelque forme que ce soit sans autorisation écrite du propriétaire.

All rights strictly reserved. Reproduction or issue to third parties in any form whatsoever is not permitted without written authority from the proprietor.



Property of c BERG ELECTRONICS. Copyright BERG ELECTRONICS by

Tous droits strictement réservés. Reproduction ou communication à des tiers sans autorisation écrite du propriétaire.  
 FCI ELECTRONICS  
 Droits de reproduction BERG ELECTRONICS by



All rights strictly reserved. Reproduction or issue to third parties in any form without written authority from the proprietor.  
 FCI ELECTRONICS  
 Copyright BERG ELECTRONICS by

PRODUCT NO.  
 95547-\*\*\*\*

PLEASE ORDER BY THE SEPERATE NUMBER AS FOLLOW.

P.C.B. SIDE	PUSH ROD LOCATION	DIM. L	PRODUCT NO.	HDR & PWB ASS'Y	EJ ASS'Y	HOLD DOWN (4 PCS)	CAN BE USED FOR SINGLE DECK	RECOMMENDED P.C.B LAYOUT	
BELOW	LEFT	0	95547-655**	95548-5550	95079-00**	X	NO	SEE DRAWING P/N: TA-1052	
		5	95547-650**	95548-5050	95079-05**		YES		
		0	95547-645**	95548-5543	95079-00**		NO		
		4.3	95547-640**	95548-5043	91113-04**		YES		
		0	95547-625**	95548-5522	95079-00**		NO		
		2.2	95547-620**	95548-5022	91113-02**		YES		
	RIGHT	0	95547-605**	95548-5500	95079-00**		NO		SEE DRAWING P/N: TA-1052
		5	95547-750**	95548-5150	95079-15**		YES		
		0	95547-555**	95548-5550	95079-10**		NO		
		5	95547-550**	95548-5050	95079-15**		YES		
		0	95547-545**	95548-5543	95079-10**		NO		
		4.3	95547-540**	95548-5043	91113-14**		YES		
ABOVE	LEFT	0	95547-525**	95548-5522	95079-10**	X	NO	SEE DRAWING P/N: TA-1052	
		2.2	95547-520**	95548-5022	91113-12**		YES		
		0	95547-505**	95548-5500	95079-10**		NO		
		2.2	95547-322**	95548-0222	91113-12**		YES		
		0	95547-155**	95548-0550	95079-10**		NO		
		5	95547-150**	95548-0050	95079-15**		YES		
	RIGHT	0	95547-145**	95548-0543	95079-10**		NO		SEE DRAWING P/N: TA-1052
		4.3	95547-140**	95548-0043	91113-14**		YES		
		0	95547-125**	95548-0522	95079-10**		NO		
		2.2	95547-120**	95548-0022	91113-12**		YES		
		0	95547-105**	95548-0500	95079-10**		NO		
		5	95547-250**	95548-0150	95079-05**		YES		
RIGHT	5	95547-050**H	95548-0050	91113-05**	63284-005	YES	SEE DRAWING P/N: TA-1052		
	0	95547-045**	95548-0543	95079-00**	NO				
	4.3	95547-040**	95548-0043	91113-04**	YES				
	0	95547-025**	95548-0522	95079-00**	NO				
	2.2	95547-020**	95548-0022	91113-02**	YES				
	0	95547-005**	95548-0500	95079-00**	NO				

\*\* : SEE TABLE J

mat'l code		tolerance unless otherwise specified		CUSTOMER COPY		
rev. J	ecn no.	dr	date	linear	±0.30	projection
				angles	± 2'	
		dr	WENDY CHEN 01/27/95	unit	mm/inch	title
		enr	JOSEPH HSIA 01/27/95	product family	PCMCIA	EJECTOR HEADER ASS'Y
		chr	JOSEPH HSIA 01/27/95	size	dwg no.	68POS. SMT TYPE 1/2/3
		appd	JENN TSAO 01/27/95	scale	1:1	code
sheet	revision			A3	95547	TWN
index	sheet					sheet 4 of

1 | 2 | 3 | 4 | 5 | 6

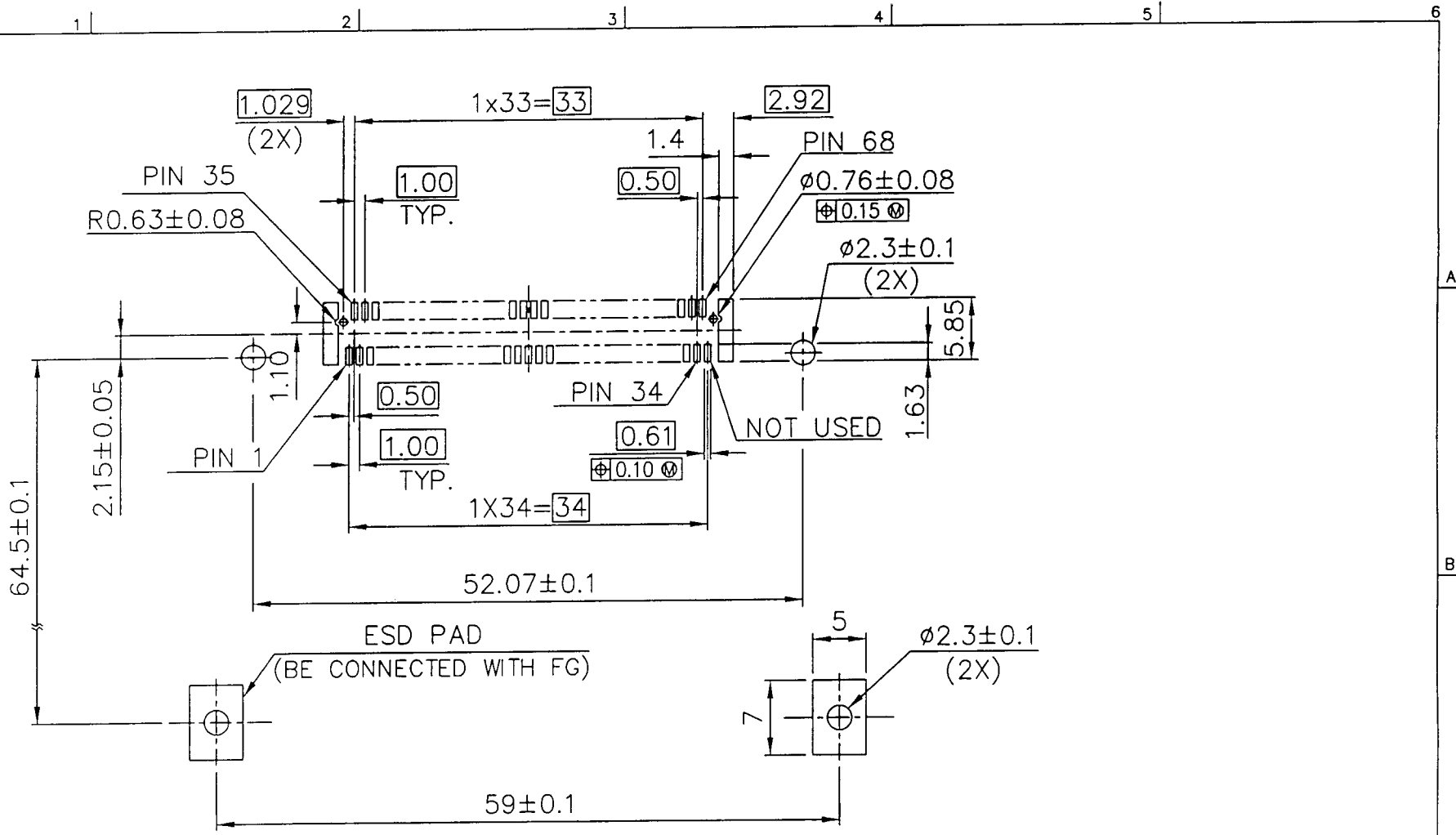
A

B

C

D

1 | 2 | 3 | 4 | 5 | 6



4 CARD INSERTION DIRECTION  
 (ONLY USED FOR P/N: 95547-322\*\*)

mat'l code		tolerance unless otherwise specified		CUSTOMER COPY		 <b>ELECTRONICS</b>	
rev.	ecn no.	dr	date	linear	±0.10	projection	title
J				angles	± 2'		CONAN, EJECTOR HDR LAYOUT
		dr	WENDY CHEN 11/24/97	unit	mm/inch	product family : PCMCIA	code
		enr	JOSEPH HSIA 11/24/97	size	mm/inch	dwg no.	TWN
		chr	JOSEPH HSIA 11/24/97	scale	A3	95547	sheet 5 of
		appd	JENN TSAO 11/24/97				
sheet	revision						
index	sheet						

Tous droits strictement réservés. Reproduction ou communication à des tiers interdite sans autorisation écrite du propriétaire.  
 All rights strictly reserved. Reproduction or issue to third parties in any form or by any means without written authority from the proprietor.  
 Property of © BERG ELECTRONICS  
 Copyright BERG ELECTRONICS by

All rights strictly reserved. Reproduction or issue to third parties in any form or by any means without written authority from the proprietor.  
 Property of © BERG ELECTRONICS  
 Copyright BERG ELECTRONICS by



A

B

C

D

A

B

C

D