

6

5

4

3

2

1

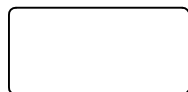
APPROVED: _____

DATE: _____ TITLE: _____

Rev	AWO #	Description	Date	Appr
-		RELEASED	4/5/05	
A		UPDATE SPEC.	6/11/19	LH/BC

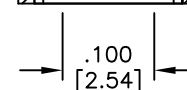
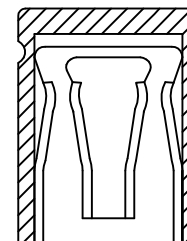
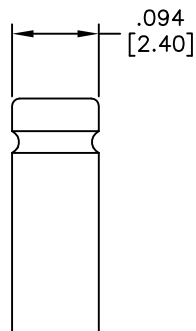
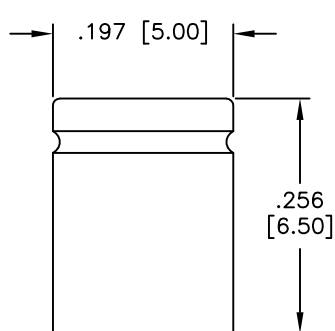
D

D



C

C



B

B

SPECIFICATIONS:

Material:

Insulator: PBT, glass reinforced, rated UL 94V-0

Insulator color: Black

Contacts: Phosphor Bronze

Plating:

G= Gold flash over Nickel underplate overall

T= Tin over Copper underplate overall

Electrical:

Current rating: 3 Amp

Contact resistance: 20 mohms max @100mA DC

Insulation resistance: 5,000 Mohms min @500 VDC

Dielectric withstanding voltage: 500 VAC for 1 minute

Temperature Rating:

Operating temperature: -55°C to +105°C

Environmental:

Lead free, RoHS compliant



UNLESS OTHERWISE SPECIFIED ALL DIMENSIONS ARE INCHES [MM] TOLERANCES: EXCEPT AS NOTED INCHES HOLES .X ± .10 Ø.X ± .10 .XX ± .020 Ø.XX ± .015 .XXX ± .015 Ø.XXX ± .010		ADAM TECH INTERCONNECTS		909 Rahway Avenue, Union, NJ 07083 Phone: 908-687-5000 Fax: 908-687-5710	
APPROVALS		DATE		TITLE	
DRAWN	SS	4/5/05		.100 [2.54] MINI SHUNT, CLOSED TOP	
CHECKED				.256 [6.50] HEIGHT	
APPROVED				SIZE	PART NO.
				X	MSA-X
		REF:	SCALE: NTS	SHEET 1 OF 1	
				REV.	A

6

5

4

3

2

1

A

A