

\*\*\* 2501 Series \*\*\*

Material :

\* Insulator : UL 94V-0 NYLON 6/6

\* Contact : Brass

\* Ordering Information :

2501P  $\frac{***}{1\ 2}$  000

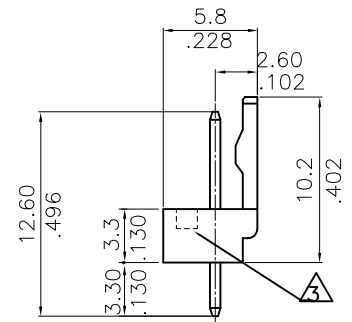
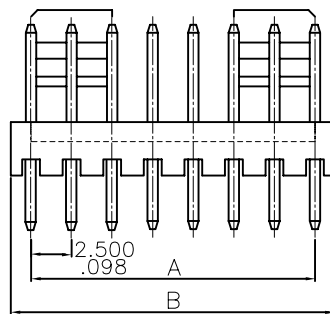
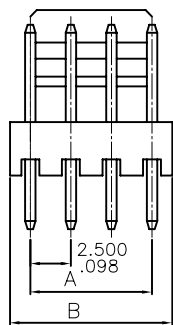
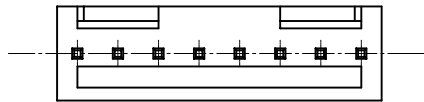
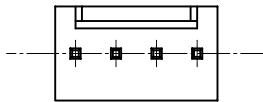
1. NO. of circuits  $\triangle 3$ . The slot only for 11 through 20 circuits

2. Plating :

0 = STANDARD

Z=30 $\mu$ " gold over 30~50 $\mu$ " nickel overall

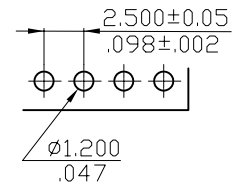
W=15 $\mu$ " gold over 30~50 $\mu$ " nickel overall



2 through 5 circuits

6 through 20 circuits

CIRCUITS	PART NO.	DIMENSION	
		A	B
2	2501P02*000	2.500(.098)	5.0(.197)
3	2501P03*000	5.000(.197)	7.5(.295)
4	2501P04*000	7.50(.295)	10.0(.394)
5	2501P05*000	10.00(.394)	12.5(.492)
6	2501P06*000	12.50(.492)	15.0(.591)
7	2501P07*000	15.00(.591)	17.5(.689)
8	2501P08*000	17.50(.689)	20.0(.787)
9	2501P09*000	20.00(.787)	22.5(.886)
10	2501P10*000	22.50(.886)	25.0(.984)
11	2501P11*000	25.00(.984)	27.5(1.083)
12	2501P12*000	27.50(1.083)	30.0(1.181)
13	2501P13*000	30.00(1.181)	32.5(1.280)
14	2501P14*000	32.5(1.280)	35.0(1.378)
15	2501P15*000	35.0(1.378)	37.5(1.476)
16	2501P16*000	37.5(1.476)	40.0(1.575)
17	2501P17*000	40.0(1.575)	42.5(1.673)
18	2501P18*000	42.5(1.673)	45.0(1.772)
19	2501P19*000	45.0(1.772)	47.5(1.870)
20	2501P20*000	47.5(1.870)	50.0(1.969)



RECOMMENDED HOLE PATTERN

				<b>leoco</b> LEOCO CORPORATION		APPROVED:		PART NO.:					
				GENERAL TOLERANCE		DATE:		2501P***000					
D	ES030215			X. ±		X. ± 2°		CHECKED:		TITLE:			
C	ES021120			.X ± $\frac{0.30}{.012}$		.X ± 1°		DATE:		HEADER			
B	E990148			.XX ± $\frac{0.20}{.008}$		.XX ± 0.5°		DRAWN:		DRAWING NO.:			
A	DWG REL			.XXX ± $\frac{0.10}{.004}$		.XXX ± 0.1°		DATE:		250103S			
REV.	ECO. NO.	CHG.	APP.					UNITS		SCALE	SIZE	SHEET	REV.
								mm inch		~	A4	1/1	D