

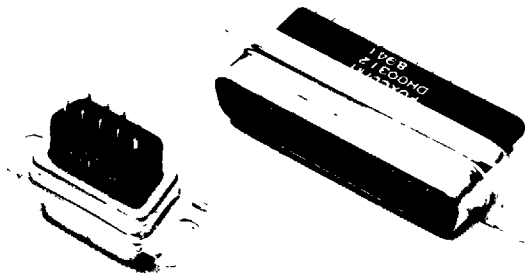
DG/DH Series

High Profile

P/N Description

DH 0 0 3 1 6 - T3

1 **2** **3** **4** **5**



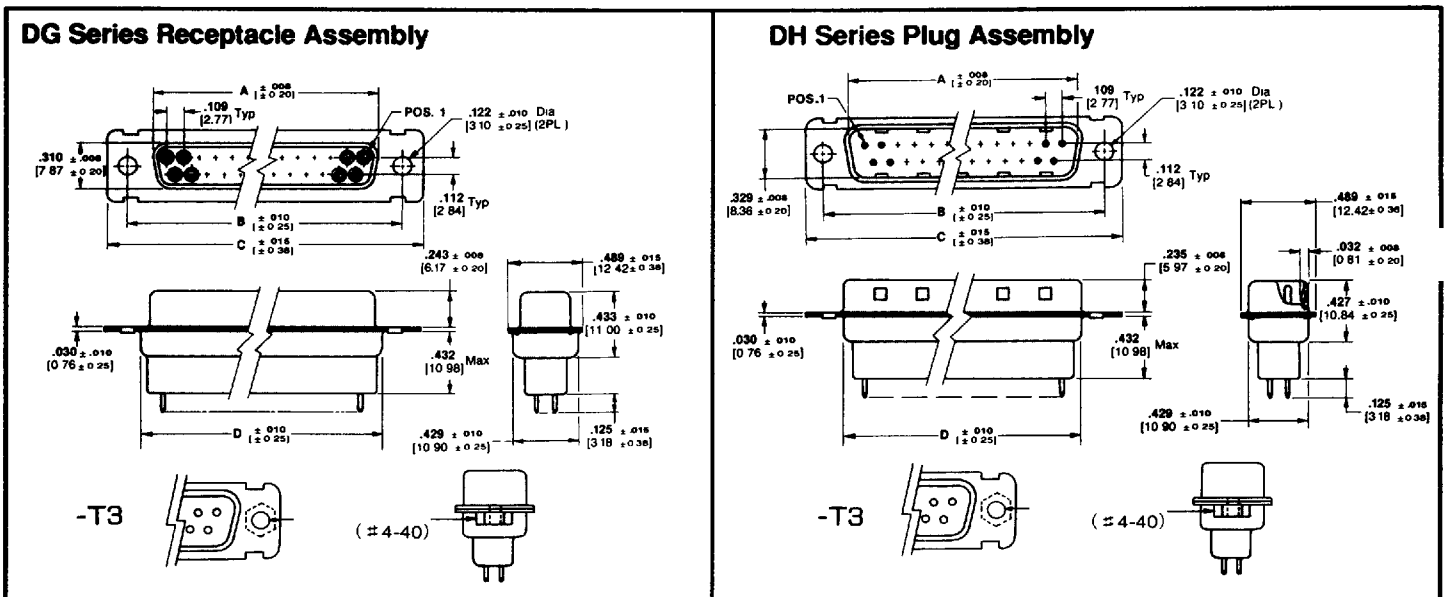
1 **Series Prefix**
 DG: Receptacle Assemblies
 DH: Plug Assemblies

2 **Contact Type**
 0: Plug
 1: Receptacle

3 **No. of Contact Positions**
 1: 9 Pin
 2: 15 Pin
 3: 25 Pin
 4: 37 Pin

4 **Contact Finish**
 1: Gold Flash
 6: 10μ" Gold Plating
 2: 20μ" Gold Plating
 3: 30μ" Gold Plating

5 **Mounting Options**
 Blank: Thru Hole
 T3: With hex clinch nut



NO. OF CONTACT POSITIONS	P/N	PLATING	DIMENSIONS Inches (mm)			
			A	B	C	D
9	DG01111	Gold Flash				
	DG01116	10μinch	.0664	0.984	1.208	0.758
	DG01112	20μinch	(16.31)	(24.99)	(30.68)	(19.25)
	DG01113	30μinch				
15	DG01211	Gold Flash				
	DG01216	10μinch	.0970	1.312	1.536	1.098
	DG01212	20μinch	(24.64)	(33.32)	(39.01)	(27.90)
	DG01213	30μinch				
25	DG01311	Gold Flash				
	DG01316	10μinch	1.530	1.852	2.083	1.630
	DG01312	20μinch	(38.86)	(47.04)	(52.91)	(41.40)
	DG01313	30μinch				
37	DG01411	Gold Flash				
	DG01416	10μinch	2.158	2.499	2.724	2.284
	DG01412	20μinch	(54.81)	(63.47)	(69.19)	(58.01)
	DG01413	30μinch				

NO. OF CONTACT POSITIONS	P/N	PLATING	DIMENSIONS inches (mm)			
			A	B	C	D
9	DH00111	Gold Flash				
	DH00116	10μinch	.0663	0.984	1.208	0.758
	DH00112	20μinch	(16.84)	(24.99)	(30.68)	(19.25)
	DH00113	30μinch				
15	DH00211	Gold Flash				
	DH00216	10μinch	.0991	1.312	1.536	1.098
	DH00212	20μinch	(25.17)	(33.32)	(39.01)	(27.90)
	DH00213	30μinch				
25	DH00311	Gold Flash				
	DH00316	10μinch	1.531	1.852	2.083	1.630
	DH00312	20μinch	(38.89)	(47.04)	(52.91)	(41.40)
	DH00313	30μinch				
37	DH00411	Gold Flash				
	DH00416	10μinch	2.179	2.499	2.724	2.284
	DH00412	20μinch	(55.35)	(63.47)	(69.19)	(58.01)
	DH00413	30μinch				