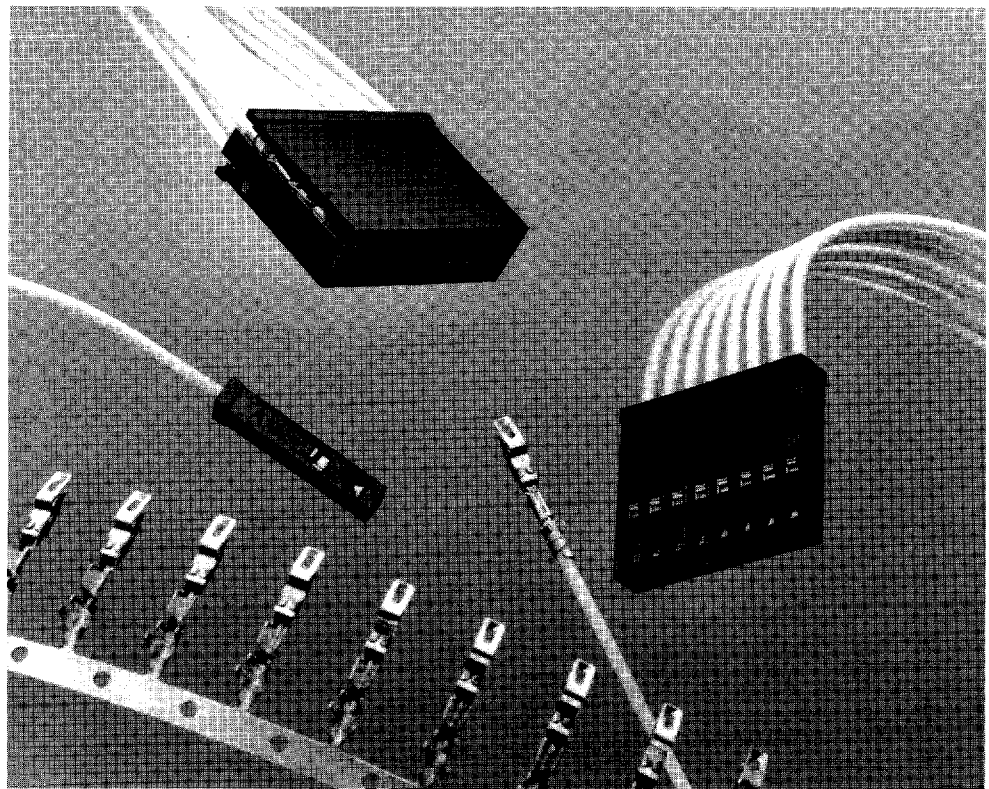


Locking Clip Contacts and Housings

Product Facts

- Self-retaining contacts provide permanent connection with quick connect and disconnect
- Fast, easy installation with no additional locking hardware required
- Mates with .025 [0.64] square posts in a variety of configurations
- Single- and double-row configurations in up to 20 positions on .100 [2.54] centers
- Modular design permits end-to-end stacking (double-row only) for circuit grouping
- Choice of tin or select gold plating
- Housings made of 94V-0 rated glass-filled polyester
- Recognized under the Component Program of Underwriters Laboratories Inc., File No. E28476
- Certified by Canadian Standards Association, File No. LR 7189



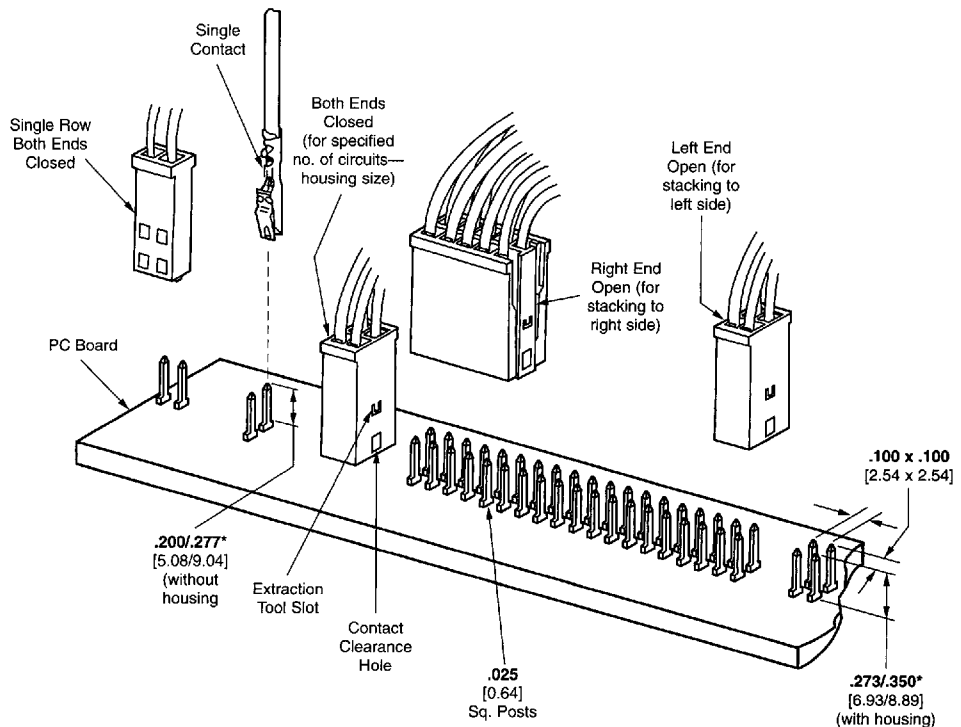
Performance Characteristics

Contact Current Rating—3 amperes

Termination Resistance:
12 milliohms (max.)—Gold plated contacts
16 milliohms (max.)—Tin plated contacts

Durability—Ref. AMP Product Specification 108-36028

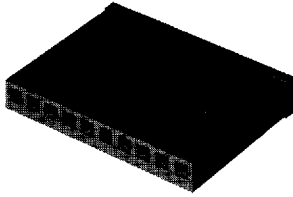
Typical Application



*If post is longer than maximum specified, post tip may butt against wire ends.

Wire-Applied Housings for Locking Clip Contacts, Single-Row, .100 [2.54] Centers

Single-Row



Material:

Glass-filled polyester, 94V-0 rated

Related Product Data:

Contacts—Page 133

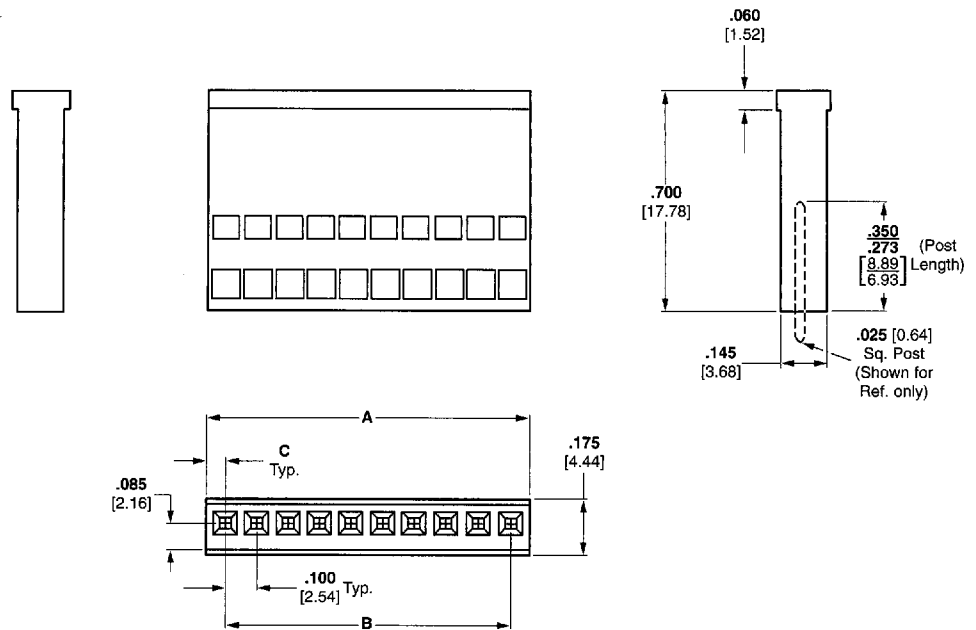
Mateable Headers and Posts—

Refer to the Mating Post Selection
Guide—Page 6 or 218

Technical Documents:

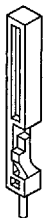
Pages 214, 215

.125 [3.18] centerline single-row,
2 and 3 position housings are
available, Base Part No. 104905.
They are designed to be stackable
end-to-end and side-by-side.
Consult AMP Incorporated.



*This dimension is .054 [1.37] for the 1 position housing.
Note: Housing illustrated above is the "Both Ends Closed" version.

Keying Plug:



Part No. 87179-1

(Plugs directly into housings for
.025 [0.64] square post contacts)

Material—Yellow nylon

Housing Configuration	No. of Pos.	Dimensions			Housing Part Nos. (Unstamped)
		A	B	C	
Both Ends Closed	1	.108 2.74	—	.054 1.37	87175-2
	2	.216 5.49	.100 2.54	.058 1.47	87175-6
	3	.316 8.03	.200 5.08	.058 1.47	87175-8
	4	.416 10.57	.300 7.62	.058 1.47	1-87175-0
	5	.516 13.11	.400 10.16	.058 1.47	1-87175-2
	6	.616 15.65	.500 12.70	.058 1.47	1-87175-4
	7	.716 18.19	.600 15.24	.058 1.47	1-87175-6
	8	.816 20.73	.700 17.78	.058 1.47	1-87175-8
	9	.916 23.27	.800 20.32	.058 1.47	2-87175-0
	10	1.016 25.81	.900 22.86	.058 1.47	2-87175-2
	11	1.116 28.35	1.000 25.40	.058 1.47	2-87175-4
	12	1.216 30.89	1.100 27.94	.058 1.47	2-87175-6
	13	1.316 33.43	1.200 30.48	.058 1.47	2-87175-8
	14	1.416 35.97	1.300 33.02	.058 1.47	3-87175-0
	15	1.516 38.51	1.400 35.56	.058 1.47	87175-4

Note: See AMP Instruction Sheet No. 408-7606 for proper contact orientation within the housings.