

2.50mm (0.098") Pin Housing

EH Series

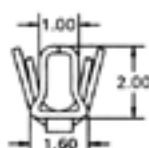
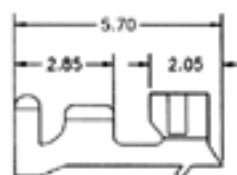
FEATURES

2-15 Circuits
 Post: Brass, Copper-Undercoated,
 Tin/Lead-Plated
 Wafer: Nylon, UL 94V-0

SPECIFICATIONS

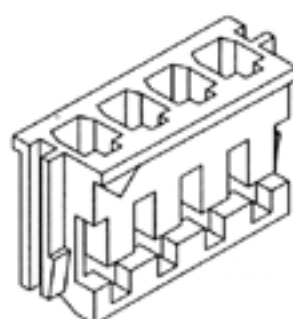
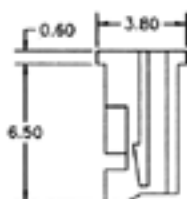
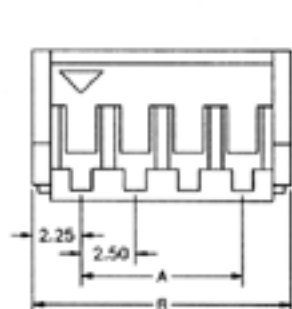
Current Rating: 3A AC DC
 Voltage Rating: 250V AC Maximum
 Temperature Range: -25°C~+90°C
 Contact Resistance: Initial Value/10 m ohm max
 After Environmental Testing
 /20 m ohm min
 Insulation Resistance: 1000 M ohm min
 Withstand Voltage: 1500V AC/minute
 P.C.Board Thickness: 1.6mm (.063")

Contact



Model No.	Applicable Wire			Material	Finish
	mm ²	AWG #	Insulation O.D.		
EH-C-1	0.06 to 0.3	30 to 22	1.0 to 1.9	Phosphor Bronze	Tin-Plated
EH-C-3	0.08 to 0.32	32 to 28	0.5 to 1.1		

Housing



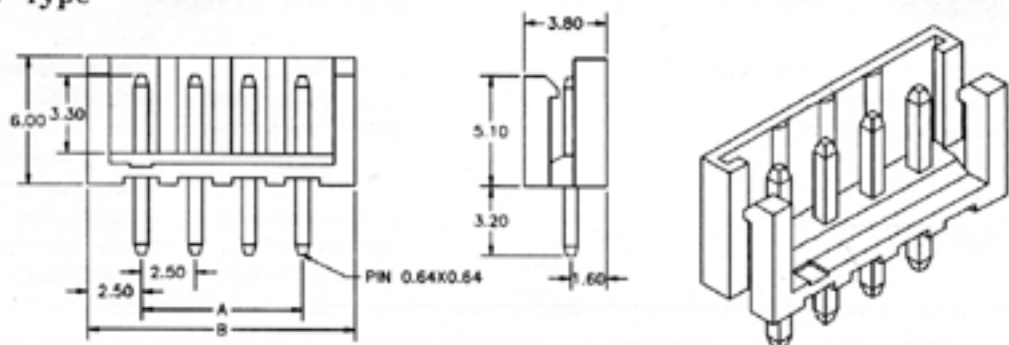
Circuits	Model No.	Dimension mm	
		A	B
2	EH-H-2	2.5	7.0
3	EH-H-3	5.0	9.5
4	EH-H-4	7.5	12.0
5	EH-H-5	10.0	14.5
6	EH-H-6	12.5	17.0
7	EH-H-7	15.0	19.5
8	EH-H-8	17.5	22.0
9	EH-H-9	20.0	24.5

Circuits	Model No.	Dimension mm	
		A	B
10	EH-H-10	22.5	27.0
11	EH-H-11	25.0	29.5
12	EH-H-12	27.5	32.0
13	EH-H-13	30.0	34.5
14	EH-H-14	32.5	37.0
15	EH-H-15	35.0	39.5

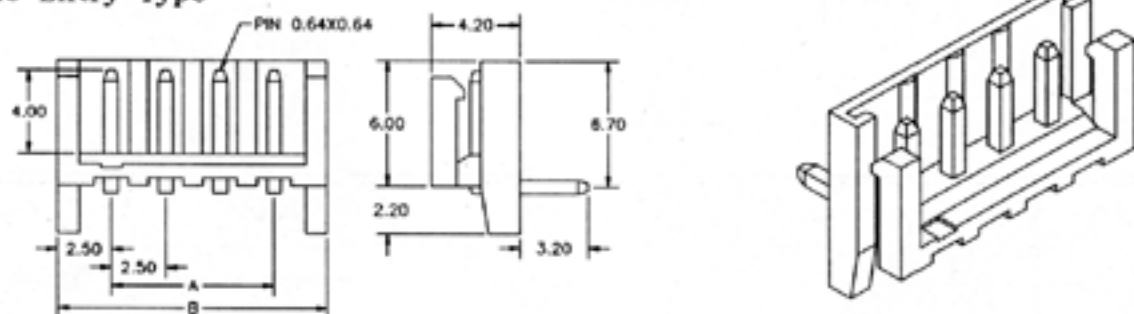
2.50mm (0.098") Pin Wafer

EH Series

Top Entry Type



Side Entry Type

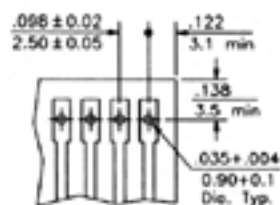


Circuits	Model No.		Dimension mm	
	Top Entry	Side Entry	A	B
2	EH-T- 2	EH-S- 2	2.5	7.5
3	EH-T- 3	EH-S- 3	5.0	10.0
4	EH-T- 4	EH-S- 4	7.5	12.5
5	EH-T- 5	EH-S- 5	10.0	15.0
6	EH-T- 6	EH-S- 6	12.5	17.5
7	EH-T- 7	EH-S- 7	15.0	20.0
8	EH-T- 8	EH-S- 8	17.5	22.5
9	EH-T- 9	EH-S- 9	20.0	25.0

Circuits	Model No.		Dimension mm	
	Top Entry	Side Entry	A	B
10	EH-T-10	EH-S-10	22.5	27.5
11	EH-T-11	EH-S-11	25.0	30.0
12	EH-T-12	EH-S-12	27.5	32.5
13	EH-T-13	EH-S-13	30.0	35.0
14	EH-T-14	EH-S-14	32.5	37.5
15	EH-T-15	EH-S-15	35.0	40.0

DIP Type P.C.Board Layout

Top Entry Type



Side Entry Type

