

## Features

- ◆ Available in 9,15,19,23,25,37 and 50 circuits
- ◆ Optional #4-40 UNC hexagonal standoff or clinch nuts
- ◆ Selective gold stamped contact
- ◆ Insulator: Glass filled polyester UL94V-0
- ◆ Color: Black
- ◆ DPT Contact: Brass  
DST Contact: Phosphor bronze
- ◆ Shell: Steel, tin plated as standard

## Ordering Information

DB-25	PT	U	C	D1
1	2	3	4	5

### 1.. No. of Circuits:

- DE-09 = 9 circuits
- DA-15 = 15 circuits
- DF-19 = 19 circuits
- DG-23 = 23 circuits
- DB-25 = 25 circuits
- DC-37 = 37 circuits
- DD-50 = 50 circuits

### 2. Contact designation:

- PT = Plug with straight solder tail
- ST = Receptacle with straight solder tail

### 3. Contact plating:

- U = Gold flash over 30~50  $\mu$  "nickel overall
- W = 15  $\mu$  " gold over 30~50  $\mu$  " nickel overall
- Z = 30  $\mu$  " gold over 30~50  $\mu$  " nickel overall
- F = Selective gold flash over 30~50  $\mu$  " nickel overall
- J = 15  $\mu$  "selective gold plated over 30~50  $\mu$  "nickel overall
- K = 30  $\mu$  "selective gold plated over 30~50  $\mu$  "nickel overall

### 4. C = Stamped contact

### 5. Variations:

- D1 = Standard with 3.05mm(.012") dia. mount hole
- D2 = With #4-40 UNC hexagonal standoff
- T1 = With riveted retaining clip ground strap 5.0mm thickness
- T2 = With riveted #4-40 UNC clinch nuts 6mm thickness
- T4 = With riveted #4-40 UNC clinch nuts 2.5mm thickness

## Specifications

- ◆ Current rating: 3A AC,DC
- ◆ Voltage rating: 250V AC,DC
- ◆ Temperature rating: -25°C ~ +105°C
- ◆ Contact resistance: 20m $\Omega$  max.
- ◆ Insulation resistance: 5000M $\Omega$  min.
- ◆ Withstanding voltage: 1,000V AC /minute

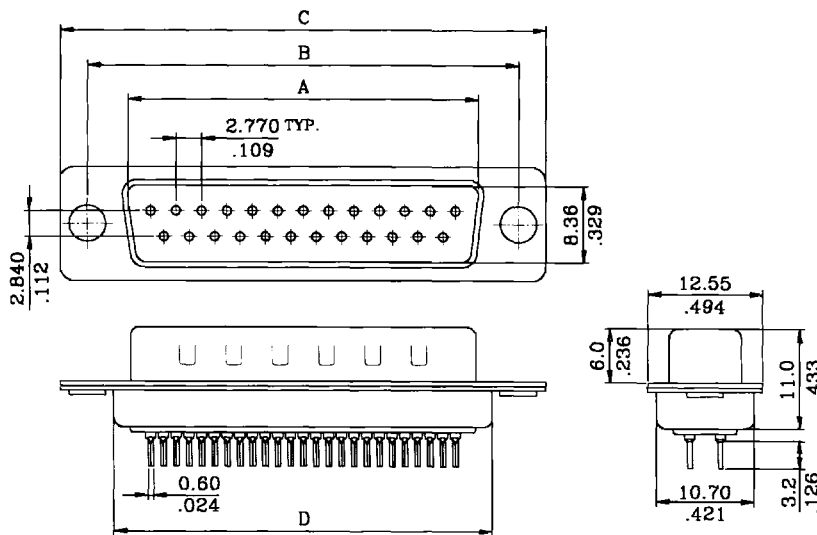
## Standards

- Recognized No. E82349
- Certified No. LR65731

# DPT Series Top Entry PCB Mount D-Sub Plug



Unit :  $\frac{\text{mm}}{\text{inch}}$



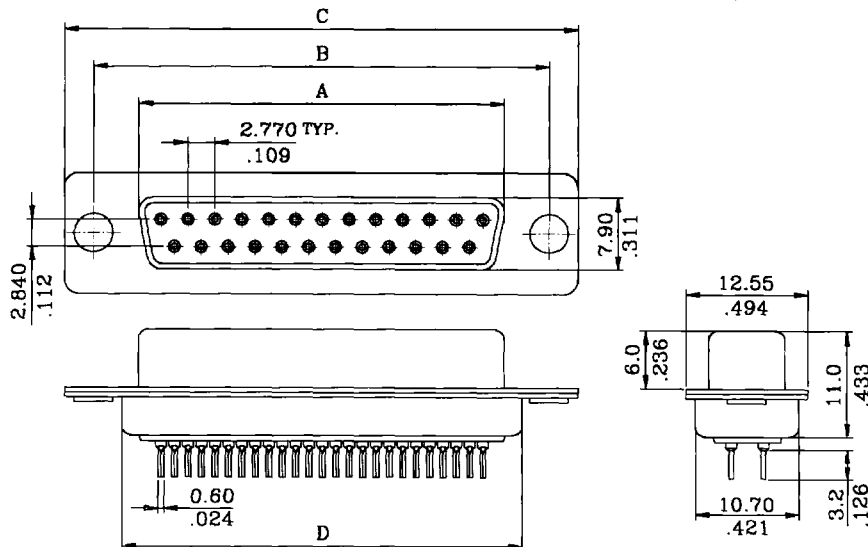
## Dimensional & Ordering Information:

Circuits	Dim. A	Dim. B	Dim. C	Dim. D
9	16.92(.666)	24.990(0.984)	30.8(1.213)	19.23(0.757)
15	25.25(.994)	33.320(1.312)	39.1(1.539)	27.56(1.085)
25	38.96(1.534)	47.040(1.852)	53.0(2.087)	41.28(1.625)
37	55.42(2.182)	63.500(2.500)	69.3(2.728)	57.30(2.256)

# DST Series Top Entry PCB Mount D-Sub Receptacle



Unit :  $\frac{\text{mm}}{\text{inch}}$



## Dimensional & Ordering Information:

Circuits	Dim. A	Dim. B	Dim. C	Dim. D
9	16.33(.643)	24.99(0.984)	30.8(1.213)	19.23(0.757)
15	24.66(.971)	33.32(1.312)	39.1(1.539)	27.56(1.085)
25	38.38(1.511)	47.04(1.852)	53.0(2.087)	41.28(1.625)
37	54.84(2.159)	63.50(2.500)	69.3(2.728)	57.73(2.273)