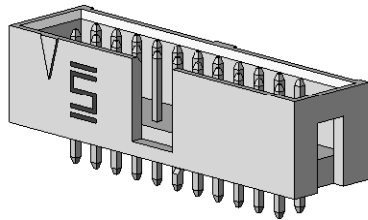


DO NOT SCALE FROM THIS PRINT



HTST-1XX-XX-XX-D-XX-XX

No OF POSITIONS  
 -02 (STRAIGHT ONLY)  
 -03 THRU -18, -20, -24,  
 -25, -28, -30, -32 & -36

POLARIZATION OPTION  
 -XX: INDICATES POSITION OMITTED

OPTION  
 BLANK: STRAIGHT (STYLES -04 & -05 N/A)  
 -RA: RIGHT ANGLE (STYLES -01, -02 & -03 N/A)  
 -LL: LOCKING LEAD (STRAIGHT ONLY)  
 -LA: -RA OPTION WITH -LL OPTION

LEAD STYLE  
 SEE TABLE 1 & TABLE 2

ROW SPECIFICATION  
 -D: DOUBLE ROW  
 (USE HTST-XX-D)

**L** PLATING SPECIFICATION

-G: GOLD, 10 Au / 50 Ni MIN ON CONTACT, 3 Au / 50 Ni MIN ON TAIL  
 -T: MATTE TIN, CONTACT AND TAIL  
 -S: SELECTIVE, 30 Au / 50 Ni MIN ON CONTACT, MATTE TIN TAIL  
 -L: LIGHT SELECTIVE, 10 Au / 50 Ni MIN ON CONTACT, MATTE TIN TAIL  
 -H: HEAVY GOLD, 30 Au / 50 Ni MIN ON CONTACT, 3Au / 50 Ni MIN ON TAIL  
 -F: FLASH SELECTIVE, 3 Au / 50 Ni ON CONTACT, MATTE TIN TAIL  
 -TM: MATTE TIN CONTACT AND TAIL  
 -SM: SELECTIVE, 30 Au / 50 Ni ON CONTACT, MATTE TIN TAIL  
 -FM: FLASH SELECTIVE, 3 Au / 50 Ni MIN ON CONTACT, MATTE TIN TAIL  
 -LM: LIGHT SELECTIVE, 10 Au / 50 Ni MIN, MATTE TIN TAIL

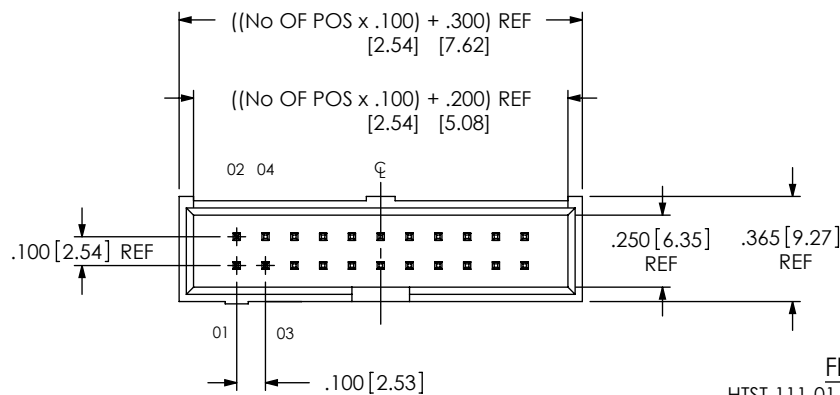
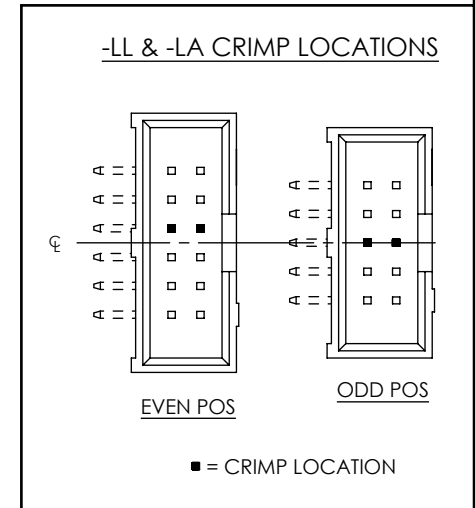
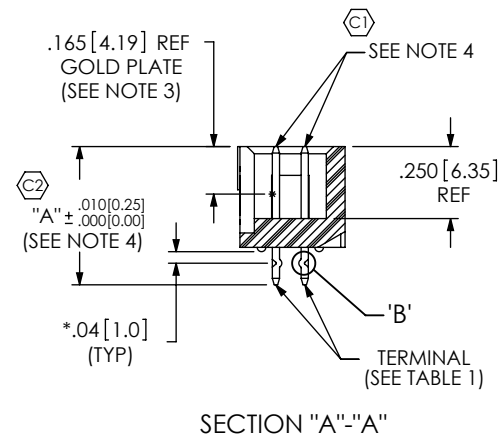
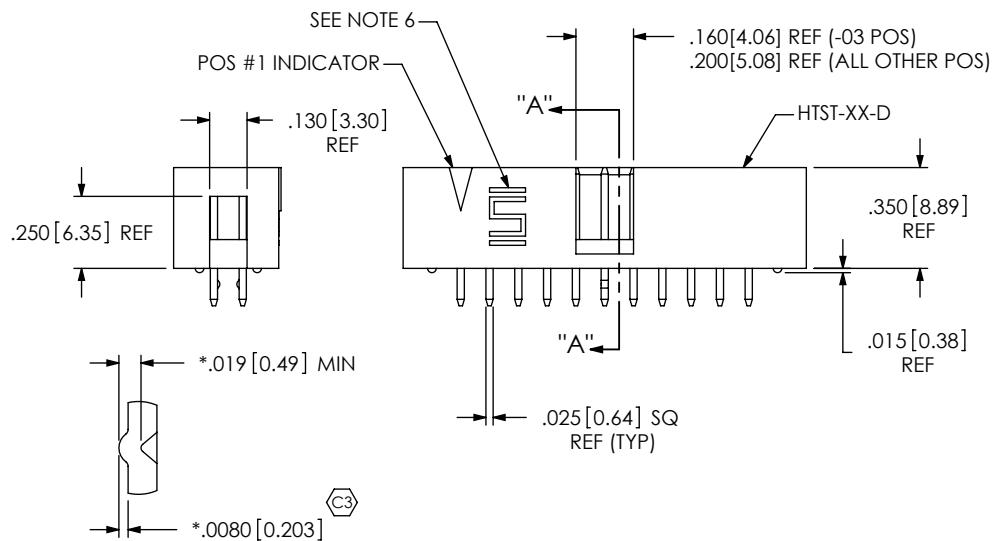


FIG. 1  
 HTST-111-01-XX-D-LL SHOWN



\* DIMENSIONS APPLY WHEN USING -LL OPTION ONLY

DETAIL 'B'  
 SCALE 6:1

NOTES:

1. Ⓢ REPRESENTS A CRITICAL DIMENSION.
2. TERMINAL PUSHOUT FORCE: 3 lbs.
3. ASSEMBLE GOLD PLATED END AS SHOWN.
4. TERMINALS TO BE FLUSH TO .010[.25] BELOW TOP OF SHROUD.

TABLE 1		
LEAD STYLE	"A"	TERMINAL
-01	.480 [12.19]	T-1S6-17-XX-2
-02	.530 [13.46]	T-1S6-08-XX-2
-03	.930 [23.62]	T-1S6-11-XX-2

UNLESS OTHERWISE SPECIFIED, DIMENSIONS ARE IN INCHES.  
 TOLERANCES ARE:  
 DECIMALS ANGLES  
 .XX: ±.01 [.3] 2°  
 .XXX: ±.005 [.13]  
 .XXXX: ±.0020 [.051]

PROPRIETARY NOTE  
 THIS DOCUMENT CONTAINS INFORMATION CONFIDENTIAL AND PROPRIETARY TO SAMTEC, INC. AND SHALL NOT BE REPRODUCED OR TRANSFERRED TO OTHER DOCUMENTS OR DISCLOSED TO OTHERS OR USED FOR ANY PURPOSE OTHER THAN THAT WHICH IT WAS OBTAINED WITHOUT THE EXPRESSED WRITTEN CONSENT OF SAMTEC, INC.

**L**

MATERIAL: DO NOT SCALE DRAWING SHEET SCALE: 1.5:1  
 INSULATOR: LCP, UL 94 VO  
 COLOR: NATURAL  
 TERMINAL: PHOS BRONZE  
 F:\DWG\MISC\MKTG\HTST-1XX-XX-D-XX-XX-MKT.SLDDRW

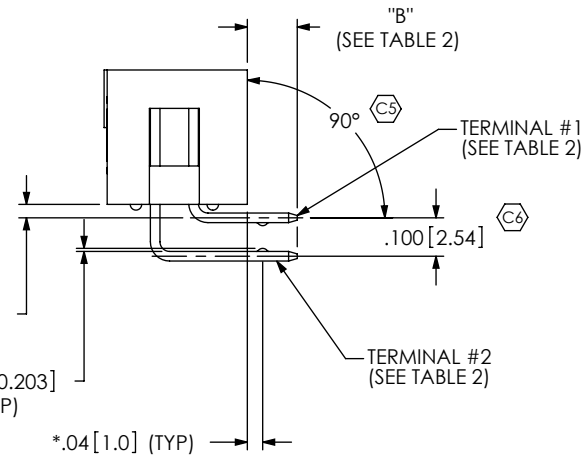
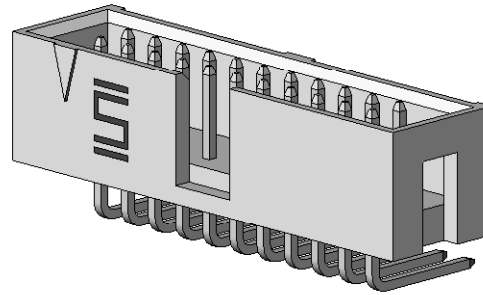
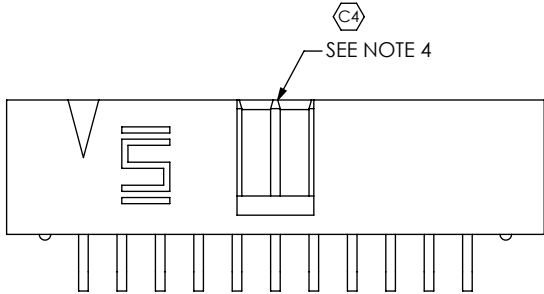
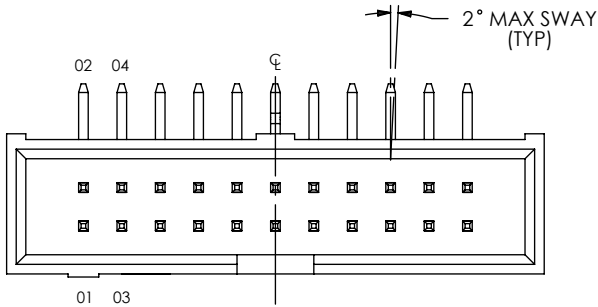
DESCRIPTION:  
 HIGH TEMP TOP SHROUD TERMINAL STRIP  
 DWG. NO.  
**HTST-1XX-XX-XX-D-XX-XX**  
 BY: BRATCHER 01/16/04 SHEET 1 OF 2



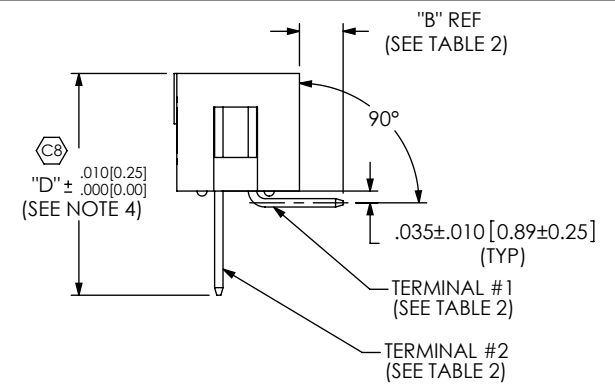
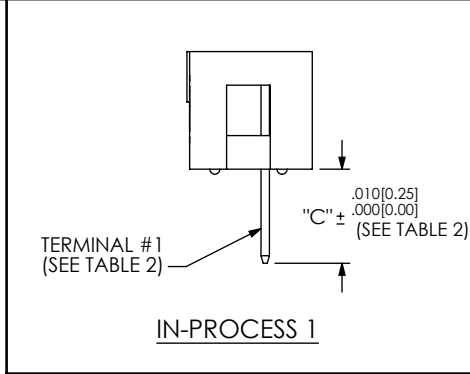
520 PARK EAST BLVD, NEW ALBANY, IN 47150  
 PHONE: 812-944-6733 FAX: 812-948-5047  
 e-Mail: info@SAMTEC.com code: 55322

FIG. 2

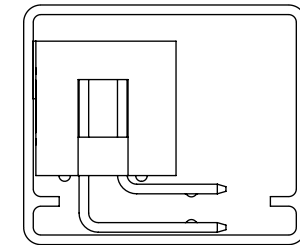
-RA & -LA OPTIONS  
(HTST-111-04-XX-D-LA SHOWN)  
(SAME AS FIG. 1, UNLESS OTHERWISE STATED)



\* DIMENSIONS APPLY WHEN USING -LA OPTION ONLY



IN-PROCESS 2



TUBE PACKAGING VIEW FOR  
04 & 05 LEAD STYLES

Packaging Table			
Lead Style	Packaging	TUBES	PLUG
-01	Bulk	N/A	N/A
-02	Bulk	N/A	N/A
-03	Bulk	N/A	N/A
-04	Tube	PT-1-24-12T-109	TP-28
-05	Tube	PT-1-24-12T-109	TP-28

TABLE 2

LEAD STYLE	"B"	"C" (NO RA REPRESS)	"C" (WITH RA REPRESS)	"D"	TERMINAL #1	TERMINAL #2
-04	.130[3.30]	.280[7.11]	.350[8.89]	.830[21.08]	T-1S6-15-XX-2	T-1S6-10-XX-2
-05	.230[5.84]	.380[9.65]	.450[11.43]	.930[23.62]	T-1S6-09-XX-2	T-1S6-11-XX-2

PROPRIETARY NOTE  
THIS DOCUMENT CONTAINS INFORMATION  
CONFIDENTIAL AND PROPRIETARY TO  
SAMTEC, INC. AND SHALL NOT BE REPRODUCED  
OR TRANSFERRED TO OTHER DOCUMENTS OR  
DISCLOSED TO OTHERS OR USED FOR ANY  
PURPOSE OTHER THAN THAT WHICH IT WAS  
OBTAINED WITHOUT THE EXPRESSED WRITTEN  
CONSENT OF SAMTEC, INC.

DO NOT SCALE DRAWING

SHEET SCALE: 2:1



520 PARK EAST BLVD, NEW ALBANY, IN 47150  
PHONE: 812-944-6733 FAX: 812-948-5047  
e-Mail: info@SAMTEC.com code: 55322

DESCRIPTION:  
HIGH TEMP TOP SHROUD TERMINAL STRIP

DWG. NO.  
HTST-1XX-XX-XX-D-XX-XX

BY: BRATCHER 01/16/04 SHEET 2 OF 2