

SPECIFICATIONS

Mechanical

Contact Retention Force: 0.9kg min.

Electrical

Voltage Rating: 125V

Current Rating: 3.0A

Contact Resistance: 20mΩ max.

Dielectric Withstanding Voltage: 500V AC

Insulation Resistance: 1000MΩ min.

Physical

Housing: Thermoplastic, Glass Filled , UL94V-0 rated

Contact: Copper alloy

Plating: See "ORDERING INFORMATION"

Operating Temperature: -40 to +105

Friction Header Connector

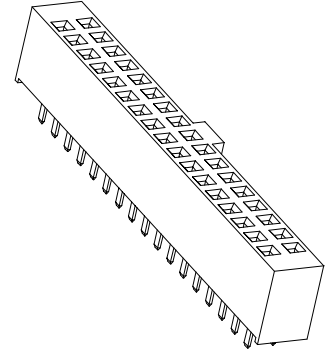
SL22 Series

Vertical T/H Type

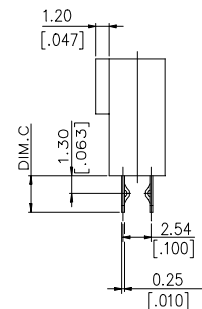
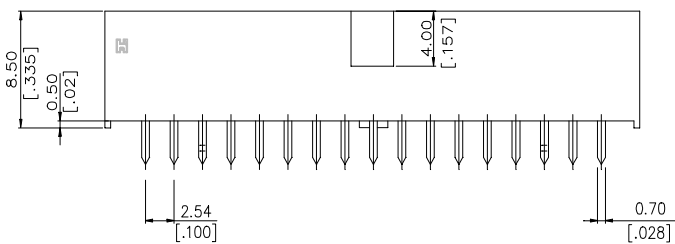
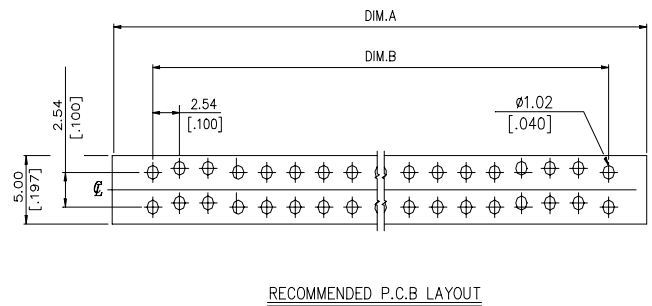
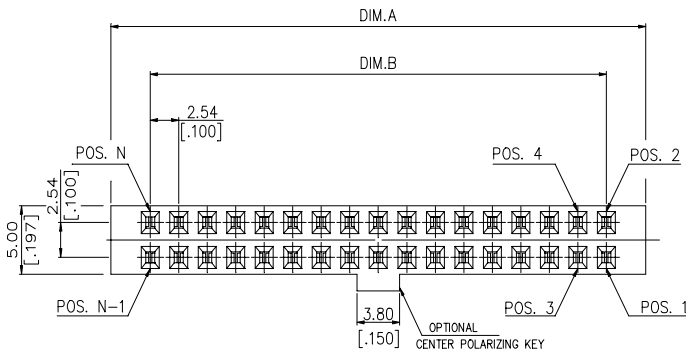
2.54mmX2.54mm Grid

[.100"X.100"] Pitch Dual

Row Receptacle



DRAWING



ORDERING INFORMATION

PRODUCT NO. : S L 22 * * * - * * * * *

- Socket Conn. _____
- Regular Solder Type _____
- Termination & Contact Type _____
- No. Of Single Row Pos. _____
- PLATING CODE _____
- 1 = Gold Flash On Contact Area
- 100u" MIN. Tin/Lead On Tail.
- 7 = 15u" MIN. Gold On Contact Area
- 100u" MIN. Tin/Lead On Tail.
- F = Gold Flash On Contact Area
- 100u" MIN. Tin On Tail With Rohs Compliance.
- V = 15u" MIN. Gold On Contact Area
- 100u" MIN. Tin On Tail With Rohs Compliance.
- Tail Length(See Attachment.) _____
- Dim C _____
- NONE:STANDARD
- P: CENTER POLARIZING KEY
- P4: PIN #5 OMITTED AND PLUGGED
- D2: PIN #20 OMITTED AND PLUGGED
- NONE:BLACK COLOR
- W:IVORY COLOR
- NONE:NO KINKED
- K:THE 5TH, 6TH, (N-4)&(N-5) PINS ARE KINKED

See Attachment



SL2220*	20/40	55.27 [2.176]	48.26 [1.900]
SL2217*	17/34	47.65 [1.876]	40.64 [1.600]
SL2215*	15/30	42.57 [1.676]	35.56 [1.400]
SL2205*	05/10	17.17 [0.676]	10.16 [0.400]
PART NO.	NO. OF POS.	DIM. A	DIM. B

PROD. No.	SL22***-□□□□□	SL22***-□□□□□B
TAIL LENGTH	DIM.C	DIM.C
NONE KINK	2.67	3.43
WITH KINK	2.45	3.21