

DWG. NO. SD 35336-***0

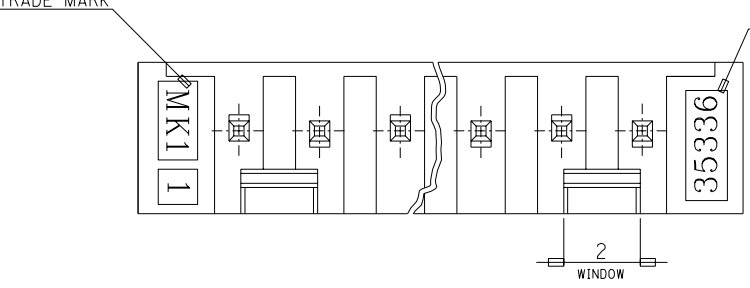
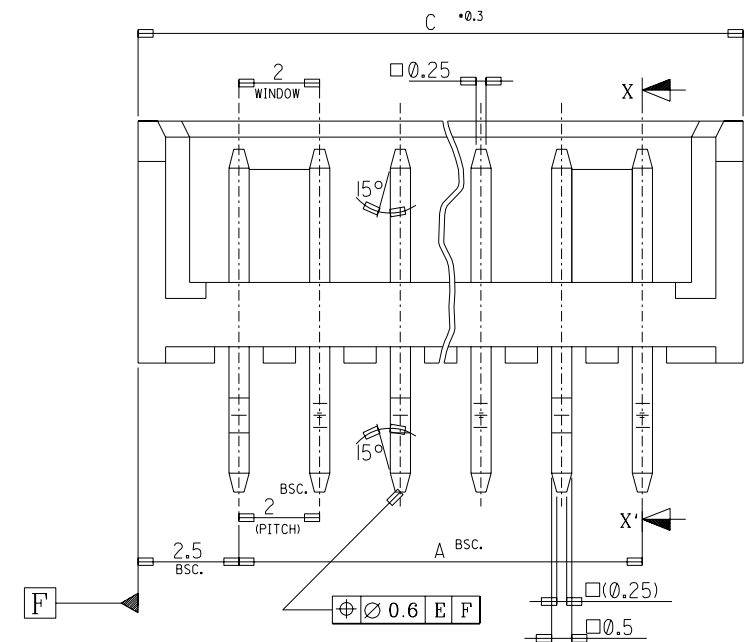
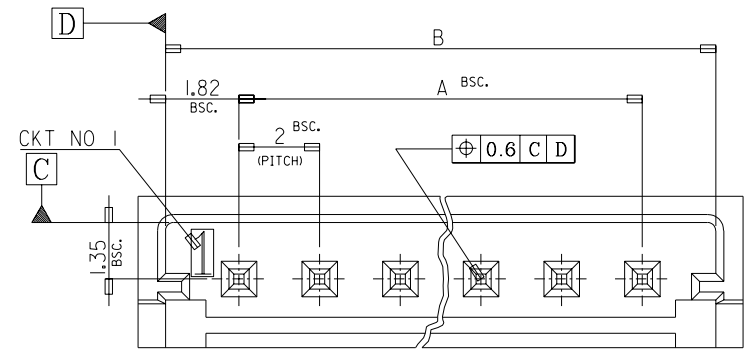
SIMILAR ITEM

PROJECT NO.

C

B

DO NOT SCALE DRAWING
DIMENSION IN METRIC



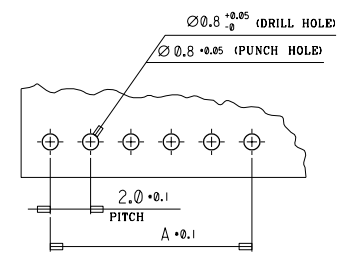
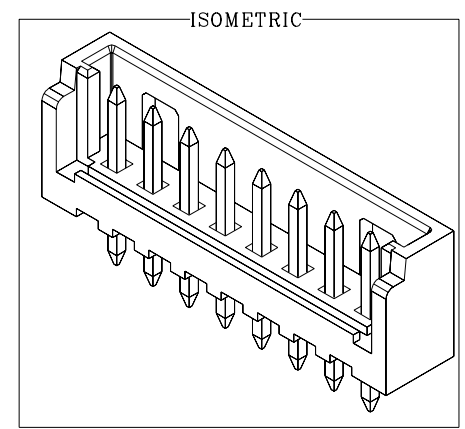
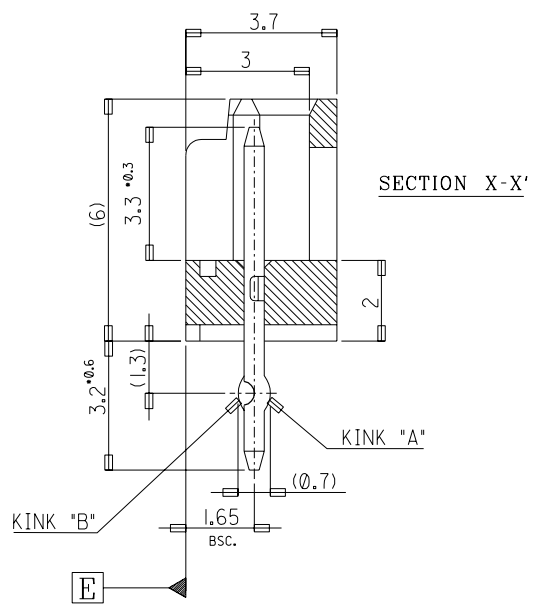
NOTES

- MATING HOUSING : 35237-***10
- BURR : 0.2 MAX.
- MATERIAL :
WAFER : PBT, UL94V-0(GF15%)
PIN : BRASS, TIN PLATED

4. KINK ALIGNMENT

KINK	CKT NO	2	3	4	5	---	N-2	N-1	N	ENG	NO
6	CKT EVEN	-	B	A	-	-	---	A	B	-	35336-***20
OVER	ODD	-	B	A	-	-	---	A	B	-	
5	CKT	B	A	-	A	B	---				
4	CKT	B	A	A	B						35336-***10
3	CKT	B	A	B							
FULL	EVEN	B	A	B	A	B	---	A	B	A	
KINK	ODD	A	B	A	B	A	---	A	B	A	

5. PRODUCT SPECIFICATION NO : PS 35237-001



PC-BOARD LAY-OUT(t=1.6)
(SCALE N:5)

GENERAL TOLERANCES	10 UNDER	± 0.2	17	15.64	12	35336-07*0	7
10 OVER 30 UNDER	± 0.25	15	13.64	10	35336-06*0	6	5
30 OVER	± 0.3	11	9.64	6	35336-04*0	4	3
ANGLE	± 3°	9	7.64	4	35336-03*0	3	

43	41.64	38	35336-20*0	20
41	39.64	36	35336-19*0	19
39	37.64	34	35336-18*0	18
37	35.64	32	35336-17*0	17
35	33.64	30	35336-16*0	16
33	31.64	28	35336-15*0	15
31	29.64	26	35336-14*0	14
29	27.64	24	35336-13*0	13
27	25.64	22	35336-12*0	12
25	23.64	20	35336-11*0	11
23	21.64	18	35336-10*0	10
21	19.64	16	35336-09*0	9
19	17.64	14	35336-08*0	8
17	15.64	12	35336-07*0	7
15	13.64	10	35336-06*0	6
13	11.64	8	35336-05*0	5
11	9.64	6	35336-04*0	4
9	7.64	4	35336-03*0	3

<p>REVISED</p> <p>EC NO. KOR 1998-0150</p> <p>DRWN: YSKIM (981204)</p> <p>CHK: JKOH</p> <p>APPR: GWLEE</p>	<p>DESCRIPTION</p> <p>MAJOR</p> <p>CRITICAL</p>	<p>QUALITY SYMBOLS</p>	<p>GENERAL TOLERANCES: (UNLESS SPECIFIED)</p> <table border="1"> <thead> <tr> <th></th> <th>mm</th> <th>INCH</th> </tr> </thead> <tbody> <tr> <td>4 PLACES</td> <td>±0.</td> <td>±.</td> </tr> <tr> <td>3 PLACES</td> <td>±0.</td> <td>±.</td> </tr> <tr> <td>2 PLACES</td> <td>±0.</td> <td>±.</td> </tr> <tr> <td>1 PLACE</td> <td>±0.</td> <td>±.</td> </tr> </tbody> </table> <p>ANGULAR: ± °</p>		mm	INCH	4 PLACES	±0.	±.	3 PLACES	±0.	±.	2 PLACES	±0.	±.	1 PLACE	±0.	±.	<p>SCALE</p> <p>8 : 1</p>	<p>DESIGN UNITS</p> <p><input checked="" type="checkbox"/> mm <input type="checkbox"/> INCH</p>	<p>THIRD ANGLE PROJECTION</p> <p><input type="checkbox"/> mm <input type="checkbox"/> INCH <input checked="" type="checkbox"/> mm ONLY</p>	<p>SHT</p> <p>REV</p>
					mm	INCH																
4 PLACES	±0.	±.																				
3 PLACES	±0.	±.																				
2 PLACES	±0.	±.																				
1 PLACE	±0.	±.																				
<p>DRW NO. YSKIM (981204)</p> <p>CHK: JKOH</p> <p>APPR: GWLEE</p>	<p>DESCRIPTION</p> <p>MAJOR</p> <p>CRITICAL</p>	<p>QUALITY SYMBOLS</p>	<p>GENERAL TOLERANCES: (UNLESS SPECIFIED)</p> <table border="1"> <thead> <tr> <th></th> <th>mm</th> <th>INCH</th> </tr> </thead> <tbody> <tr> <td>4 PLACES</td> <td>±0.</td> <td>±.</td> </tr> <tr> <td>3 PLACES</td> <td>±0.</td> <td>±.</td> </tr> <tr> <td>2 PLACES</td> <td>±0.</td> <td>±.</td> </tr> <tr> <td>1 PLACE</td> <td>±0.</td> <td>±.</td> </tr> </tbody> </table> <p>ANGULAR: ± °</p>		mm	INCH	4 PLACES	±0.	±.	3 PLACES	±0.	±.	2 PLACES	±0.	±.	1 PLACE	±0.	±.	<p>SCALE</p> <p>8 : 1</p>	<p>DESIGN UNITS</p> <p><input checked="" type="checkbox"/> mm <input type="checkbox"/> INCH</p>	<p>THIRD ANGLE PROJECTION</p> <p><input type="checkbox"/> mm <input type="checkbox"/> INCH <input checked="" type="checkbox"/> mm ONLY</p>	<p>SHT</p> <p>REV</p>
	mm	INCH																				
4 PLACES	±0.	±.																				
3 PLACES	±0.	±.																				
2 PLACES	±0.	±.																				
1 PLACE	±0.	±.																				

DRAWN BY & DATE: YSKIM 950826
 CHECKED BY & DATE: JKOH
 APPROVED BY & DATE: CWLEE
 CAD FILENAME: SD35336.DGN
 MATERIAL NO.: See Notes
 DRAWING NO.: SD 35336-***0
 SHEET NO.: 1 OF 1
 SIZE: B

DIMENSIONS: [] mm [] INCH [] mm ONLY
 TITLE: 2.0 PITCH B/B CONN. WAFER ASSY
 MOLEX INCORPORATED KOREA
 THIS DRAWING CONTAINS INFORMATION THAT IS PROPRIETARY TO MOLEX INCORPORATED AND SHOULD NOT BE USED WITHOUT WRITTEN PERMISSION.