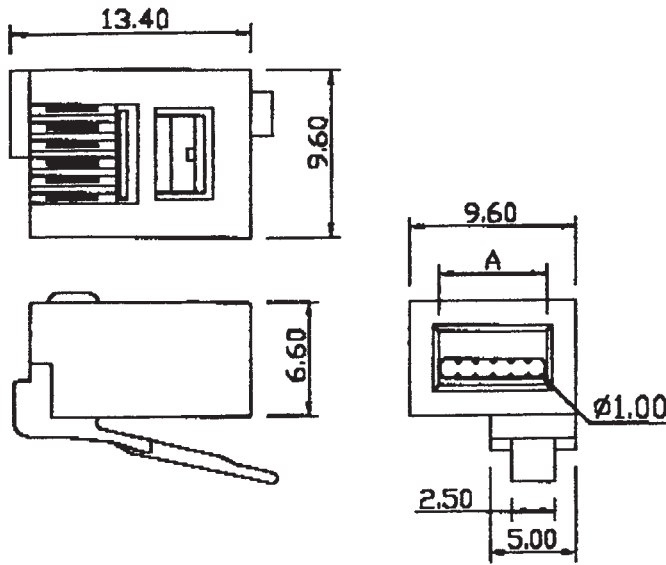


# 104 SERIES MODULAR PLUG 6 POSITION SIDE LATCH

# SST



	A
6P2C	5.20
6P4C	5.20
6P6C	7.10

## MATERIAL & FINISH

HOUSING PC. UL94V-2

CONTACT : PHOSPHOR BRONZE PLATED WITH GOLD.

## ORDERING INFORMATION

104 **A** **B** **C** **D** **E** + ( **F** )

A : CABLE TYPE ( F OR R )

F : FLAT OVAL CABLE, R : ROUND CABLE

B : NUMBER OF POSITION (6P)

C : NUMBER OF CONTACT (2C,4C OR 6C)

D : GOLD PLATING (03,06,15,30 OR 50) U"

E : CONTACT BLADE (A)

A : 2 PRONG FOR STRANDED CONDUCTOR

F : ADDLTIANAL OPTION

