



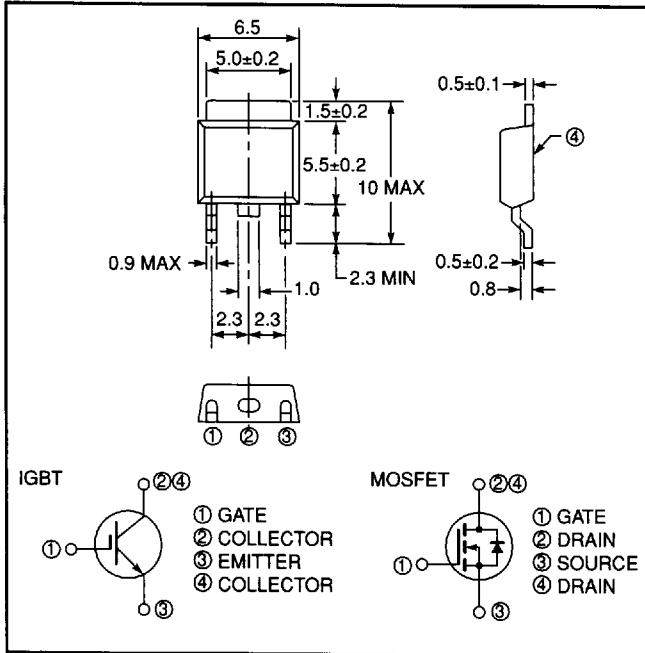
Discrete MOSFET - Low Voltage Trench Gate (continued)
2.5V Driver Voltage p-channel MOSFETs

Device Number	Maximum Ratings, T _c = 25°C			Electrical Characteristics					
	V _{DSS} (V)	I _D (A)	V _{GSS} (V)	r _{DS(on)} (mΩ)		V _{GS(th)} (V)	C _{iss} (pF)	Package	
				Typ.	Max.			Outline	Page
FX3ASH-2	-100	-3	±10	1100	1500	-1.2	670	MP-3	31
FX3KMH-2	-100	-3	±10	1100	1500	-1.2	670	TO-220FN	31
FX3UMH-2	-100	-3	±10	1100	1500	-1.2	670	TO-220	31
FX3VSH-2	-100	-3	±10	1100	1500	-1.2	670	TO-220S	31
FX6ASH-2	-100	-6	±10	510	670	-1.2	1745	MP-3	31
FX6KMH-2	-100	-6	±10	510	670	-1.2	1745	TO-220FN	31
FX6UMH-2	-100	-6	±10	510	670	-1.2	1745	TO-220	31
FX6VSH-2	-100	-6	±10	510	670	-1.2	1745	TO-220S	31
FX6SMH-2	-100	-6	±10	510	670	-1.2	1745	TO-3P	32
FX20ASH-2	-100	-20	±10	230	300	-1.2	3290	MP-3	31
FX20KMH-2	-100	-20	±10	230	300	-1.2	3290	TO-220FN	31
FX20UMH-2	-100	-20	±10	230	300	-1.2	3290	TO-220	31
FX20VSH-2	-100	-20	±10	230	300	-1.2	3290	TO-220S	31
FX20SMH-2	-100	-20	±10	230	300	-1.2	3290	TO-3P	32
FX30KMH-2	-100	-30	±10	113	160	-1.2	6025	TO-220FN	31
FX30UMH-2	-100	-30	±10	113	160	-1.2	6025	TO-220	31
FX30VSH-2	-100	-30	±10	113	160	-1.2	6025	TO-220S	31
FX30SMH-2	-100	-30	±10	113	160	-1.2	6025	TO-3P	32
FX50KMH-2	-100	-50	±10	42	55	-1.2	16000	TO-220FN	31
FX50UMH-2	-100	-50	±10	42	55	-1.2	16000	TO-220	31
FX50VSH-2	-100	-50	±10	42	55	-1.2	16000	TO-220S	31
FX50SMH-2	-100	-50	±10	42	55	-1.2	16000	TO-3P	32
FX1ASH-3	-150	-1	±10	2200	2800	-1.2	790	MP-3	31
FX1KMH-3	-150	-1	±10	2200	2800	-1.2	790	TO-220FN	31
FX1UMH-3	-150	-1	±10	2200	2800	-1.2	790	TO-220	31
FX1VSH-3	-150	-1	±10	2200	2800	-1.2	790	TO-220S	31
FX3ASH-3	-150	-3	±10	1000	1300	-1.2	1870	MP-3	31
FX3KMH-3	-150	-3	±10	1000	1300	-1.2	1870	TO-220FN	31
FX3UMH-3	-150	-3	±10	1000	1300	-1.2	1870	TO-220	31
FX3VSH-3	-150	-3	±10	1000	1300	-1.2	1870	TO-220S	31
FX3SMH-3	-150	-3	±10	1000	1300	-1.2	1870	TO-3P	32
FX6ASH-3	-150	-6	±10	440	570	-1.2	3500	MP-3	31
FX6KMH-3	-150	-6	±10	440	570	-1.2	3500	TO-220FN	31
FX6UMH-3	-150	-6	±10	440	570	-1.2	3500	TO-220	31
FX6VSH-3	-150	-6	±10	440	570	-1.2	3500	TO-220S	31
FX6SMH-3	-150	-6	±10	440	570	-1.2	3500	TO-3P	32
FX20KMH-3	-150	-20	±10	240	310	-1.2	4875	TO-220FN	31
FX20UMH-3	-150	-20	±10	240	310	-1.2	4875	TO-220	31
FX20VSH-3	-150	-20	±10	240	310	-1.2	4875	TO-220S	31
FX20SMH-3	-150	-20	±10	240	310	-1.2	4875	TO-3P	32
FX30KMH-3	-150	-30	±10	82	106	-1.2	16000	TO-220FN	31
FX30UMH-3	-150	-30	±10	82	106	-1.2	16000	TO-220	31
FX30VSH-3	-150	-30	±10	82	106	-1.2	16000	TO-220S	31
FX30SMH-3	-150	-30	±10	82	106	-1.2	16000	TO-3P	32

r_{DS(on)} (mΩ) - shows maximum value of on-resistance at V_{GS} = 4V

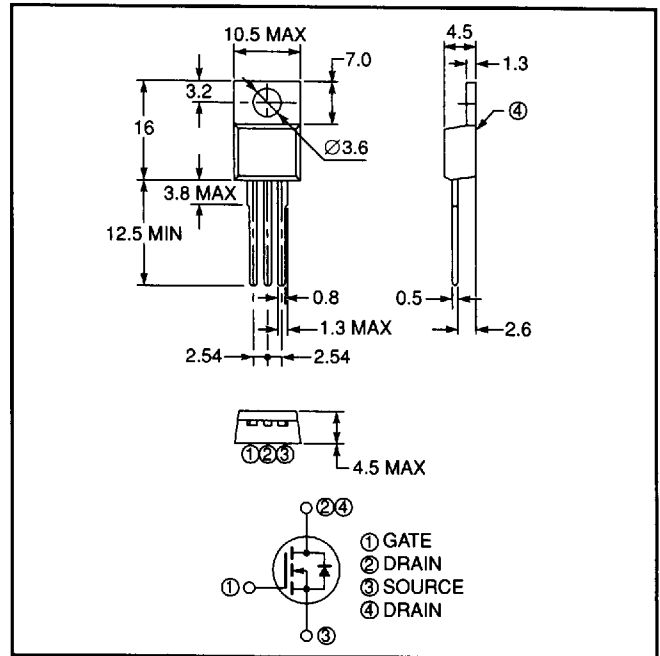
Device Outline Drawings

MP-3



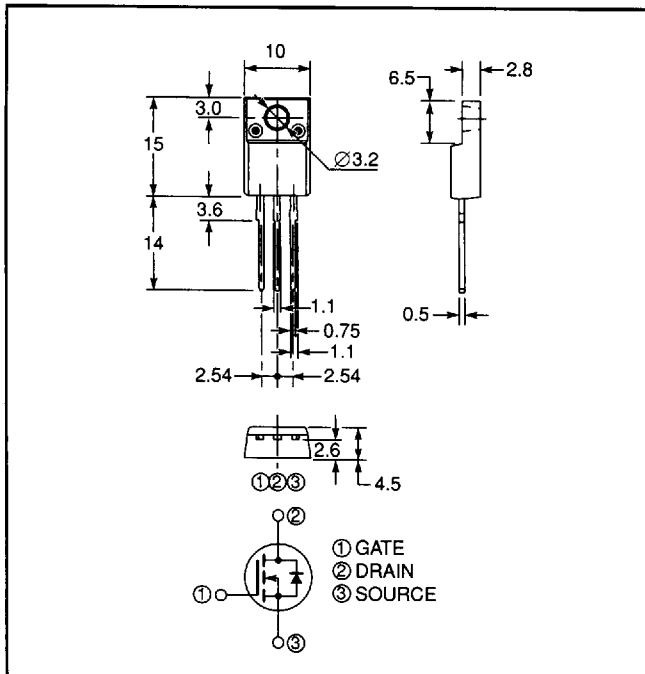
IGBT CT**AS-8
 MOSFET FS**AS-8

TO-220



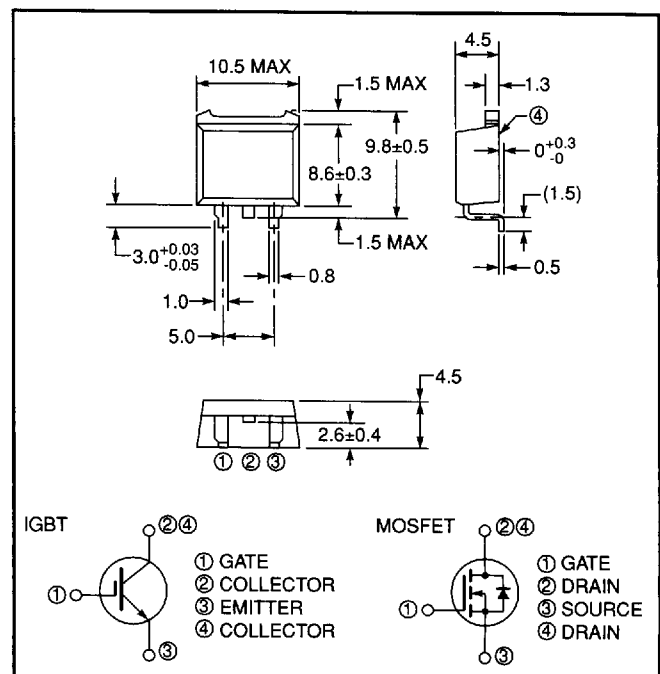
MOSFET FK**UM-**, FS**UM-**

TO-220FN



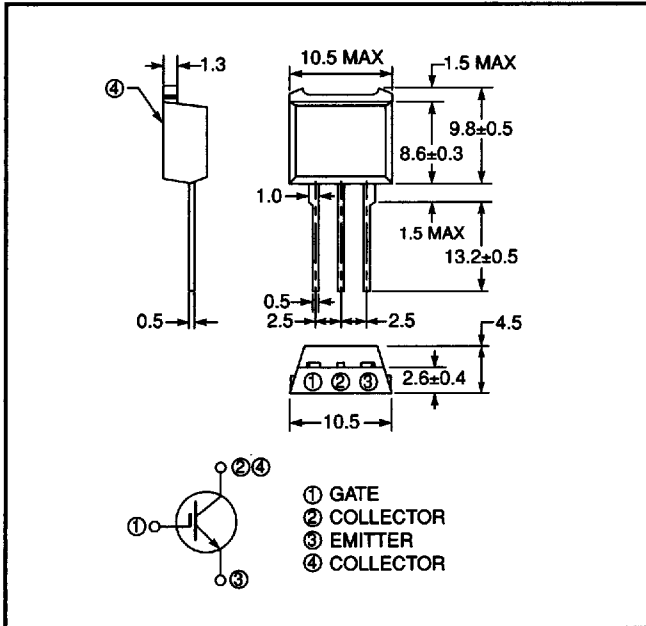
MOSFET FK**KM-**, FS**KM-**

TO-220S



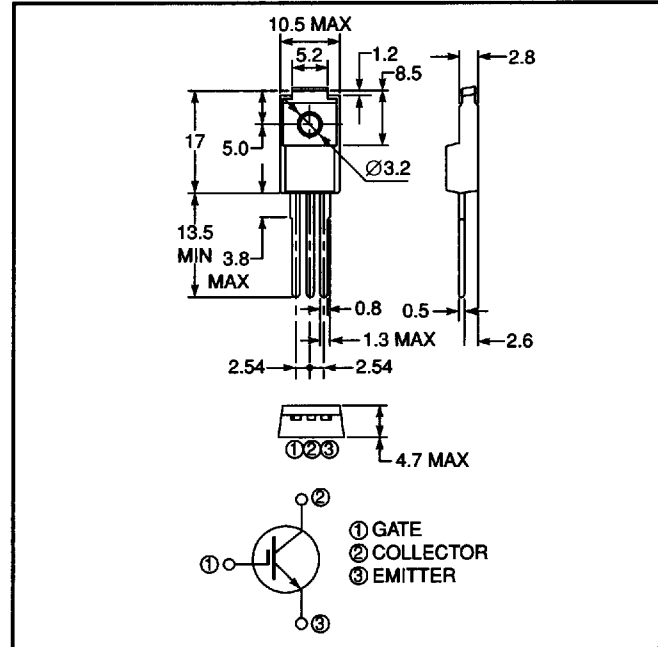
IGBT CT**VS-8
 MOSFET FK**VS-**, FS**VS-**

TO-220C



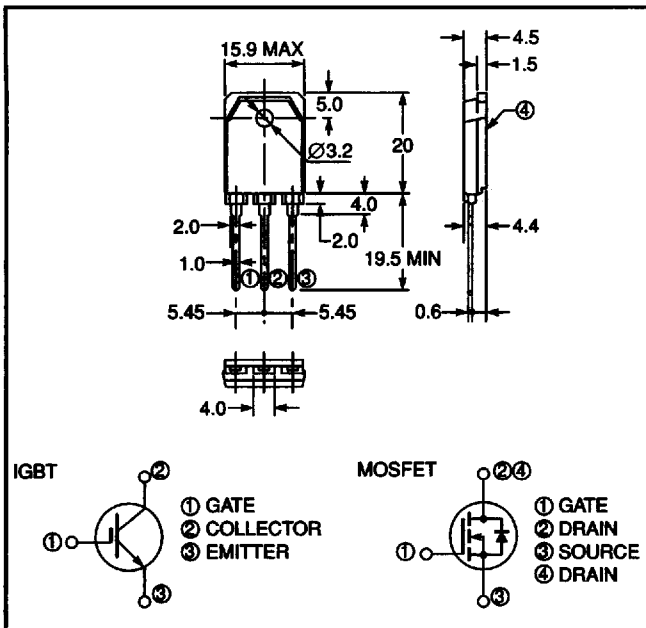
IGBT CT**VM-8

TO-220F



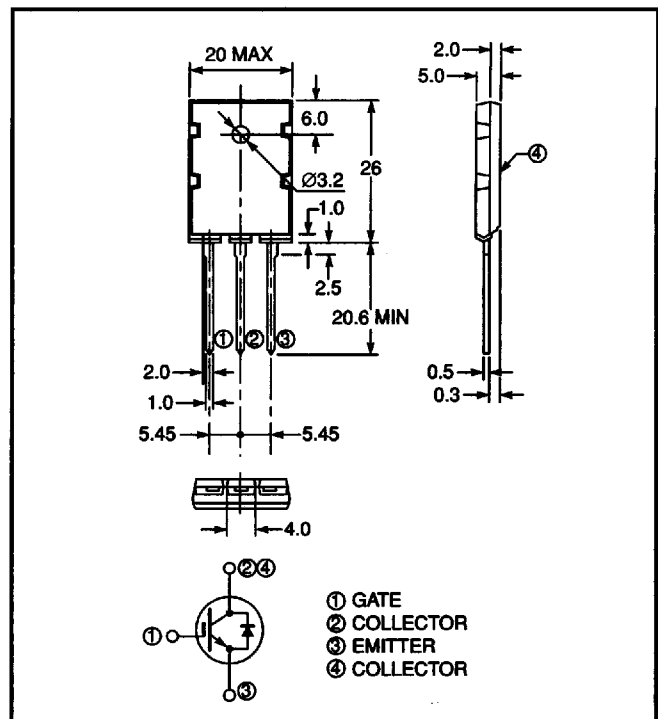
IGBT CT**TM-**

TO-3P



IGBT CT**SM-8
 MOSFET FK**SM-**, FS**SM-**

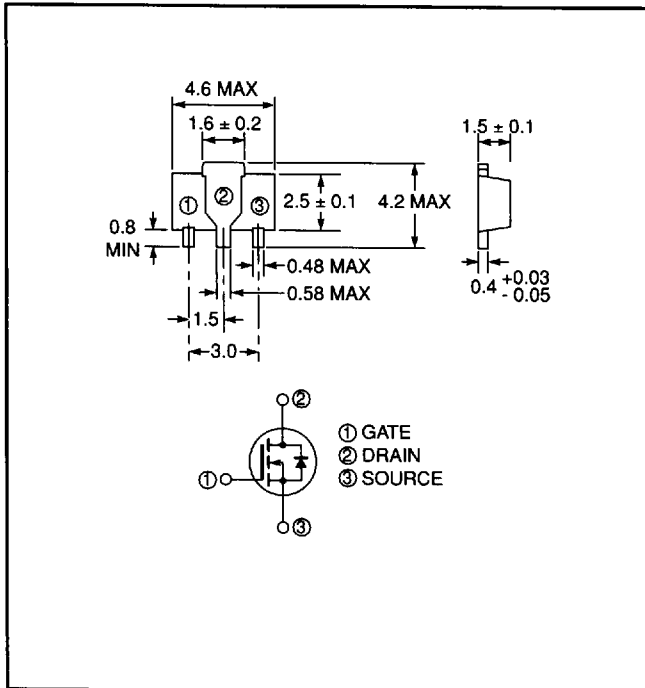
TO-3PL



IGBT CT**AM-**

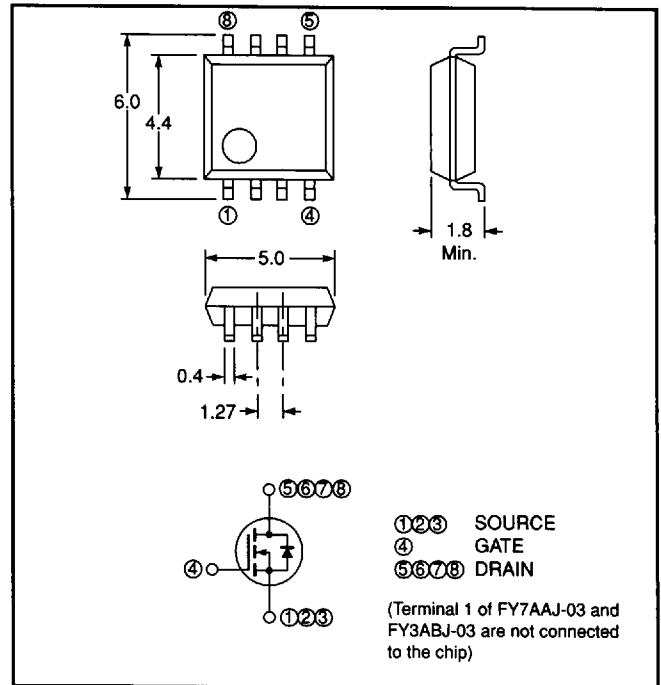
Device Outline Drawings

SOT-89



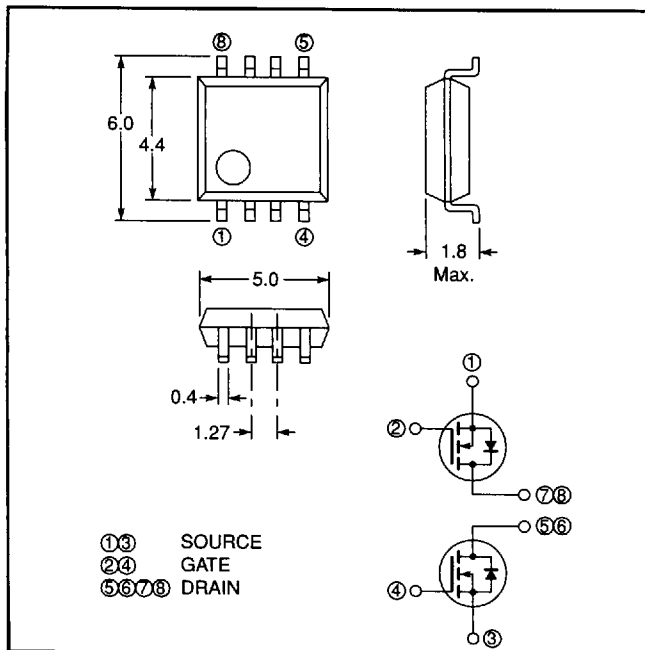
MOSFET FS**, FX**

SOP-8 (Single)



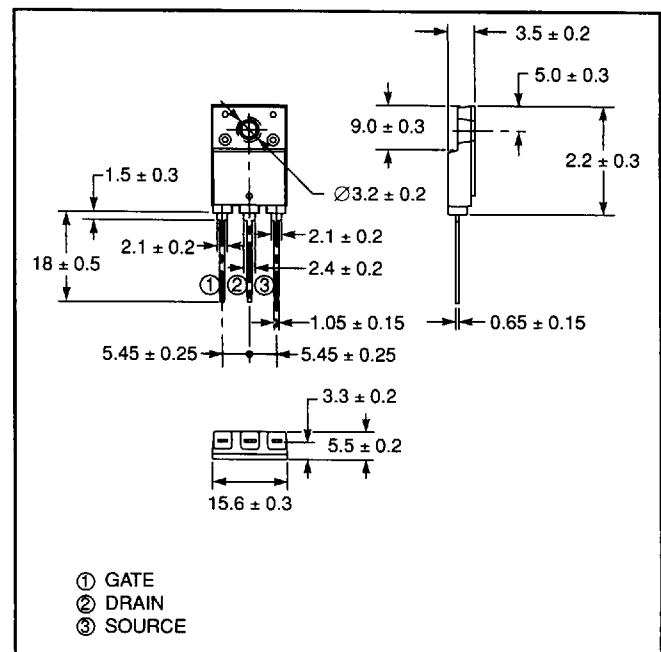
MOSFET FY**

SOP-8 (Dual)



MOSFET FY**

TO-3PF



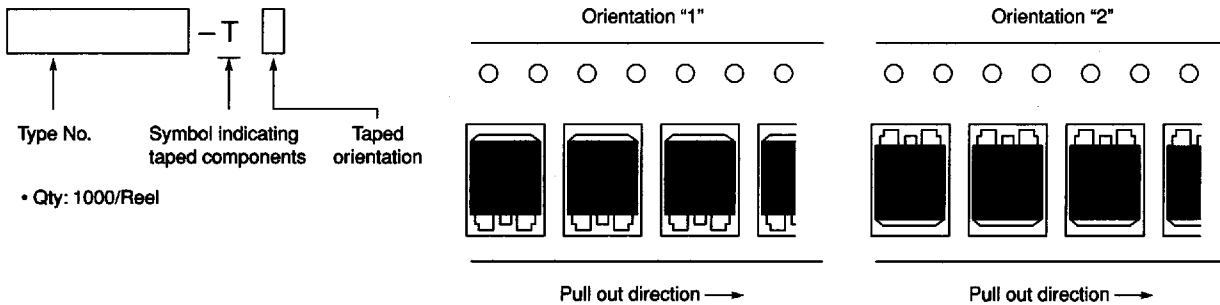
MOSFET FS**RM-**

MOSFET Packing Quantities and Types

Package	Outline Code	Packing	Minimum Quantity per Package
TO-220	UM	Bag	100
TO-220FN	KM	Tube	50
TO-220S	VS	Bag	100
TO-220S	VS	Reel	1000
TO-3P	SM	Bag	20
MP-3	AS	Bag	500
MP-3	AS	Reel	3000
SOP-8	FY	Reel	3000

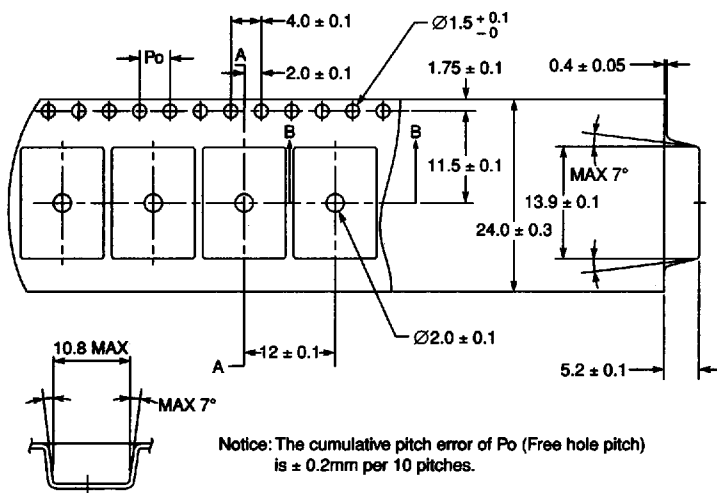
TO-220S Taping

(a) Marking

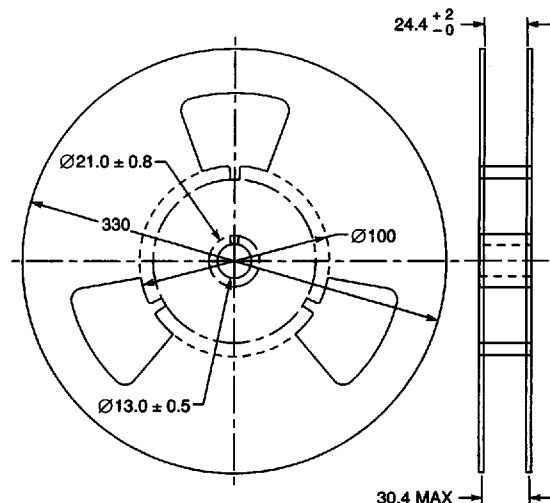


(b) Taping

• Tape Shape and Dimensions

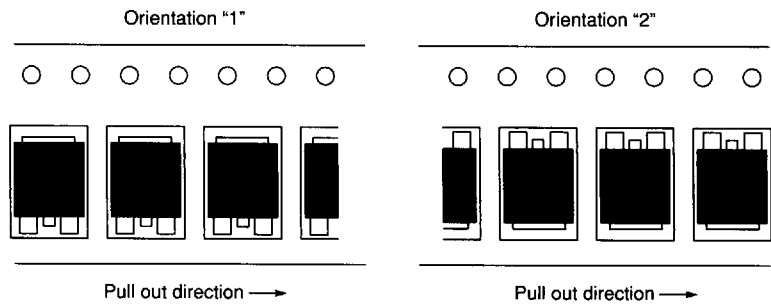
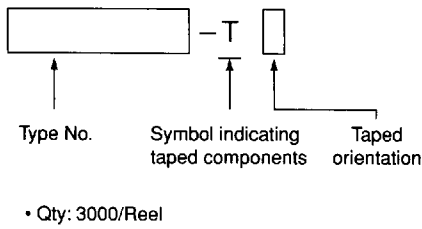


• Reel Shape and Dimensions



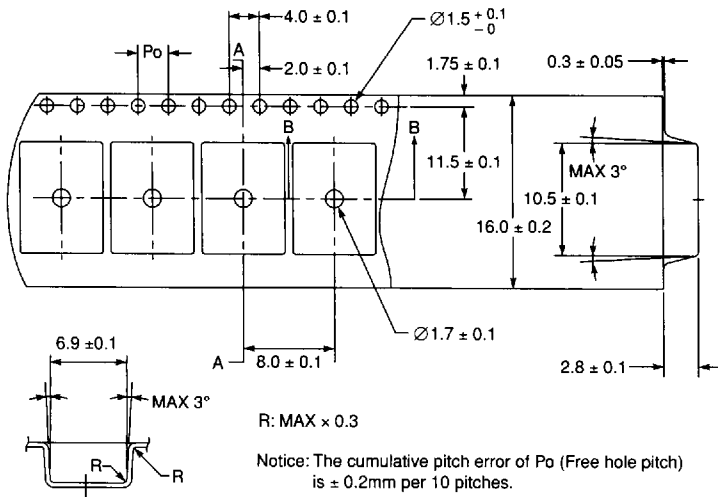
MP-3 Taping

(a) Marking



(b) Taping

• Tape Shape and Dimensions



• Reel Shape and Dimensions

