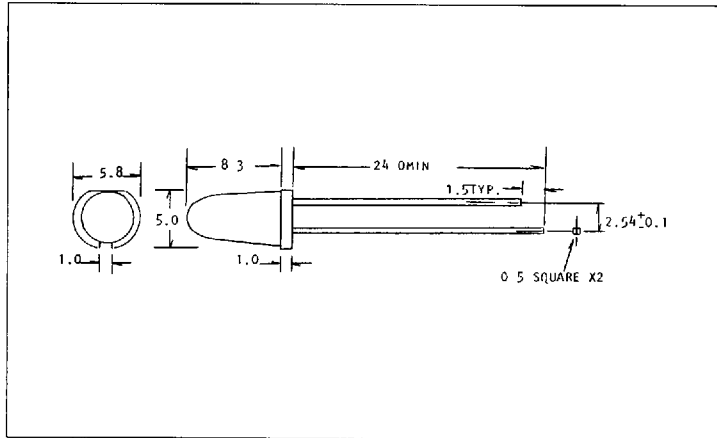


# Tapered T - 1 3/4 LED Lamps

## FEATURES

- High brightness parts provide excellent backlighting
- Tapered package
- Available in five colors/materials



## MAXIMUM RATINGS (Ta = 25°C)

PART NO.	FORWARD CURRENT (If) (mA)	REVERSE VOLTAGE (Vr) (V)	POWER DISSIPATION (Pd) (mW)	OPERATING TEMPERATURE (T <sub>opr</sub> ) (°C)	STORAGE TEMPERATURE (T <sub>stg</sub> ) (°C)
MT530-R	30	5	85	-25~+85	-25~+100
MT530-G	30	5	85	-25~+85	-25~+100
MT530-Y	30	5	85	-25~+85	-25~+100
MT530-O	30	5	85	-25~+85	-25~+100
MT530-HR	30	5	85	-25~+85	-25~+100
MT530-UR	30	4	70	-25~+85	-25~+100
MT540-R	30	5	85	-25~+85	-25~+100
MT540-G	30	5	85	-25~+85	-25~+100
MT540-Y	30	5	85	-25~+85	-25~+100
MT540-O	30	5	85	-25~+85	-25~+100
MT540-HR	30	5	85	-25~+85	-25~+100
MT540-UR	30	4	70	-25~+85	-25~+100

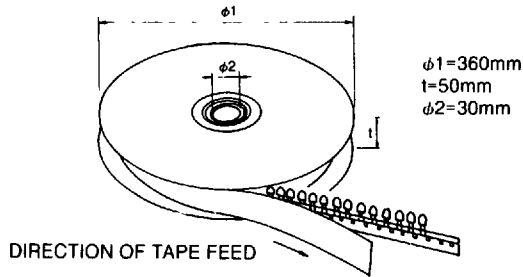
## OPTO-ELECTRICAL CHARACTERISTICS (Ta = 25°C)

PART NO.	MATERIAL	LENS COLOR	VIEWING ANGLE	LUMINOUS INTENSITY (mcd)			FORWARD VOLTAGE (V)			REVERSE CURRENT		PEAK WAVELENGTH (nm)
			typ.	min.	typ.	@mA	typ.	max.	@mA	µA	Vr	
MT530-R	GaP/GaP	Red Clear	26°	3.7	7.2	10	2.1	3.0	20	100	5	700
MT530-G	GaP/GaP	Green Clear	26°	18.1	45.0	10	2.1	3.0	20	100	5	567
MT530-Y	GaAsP/GaP	Yellow Clear	26°	16.0	37.0	10	2.1	3.0	20	100	5	585
MT530-O	GaAsP/GaP	Orange Clear	26°	21.0	53.0	10	2.1	3.0	20	100	5	635
MT530-HR	GaAsP/GaP	Red Clear	26°	21.0	53.0	10	2.1	3.0	20	100	5	635
MT530-UR	GaAlAs	Red Clear	26°	95.0	240.0	10	1.7	2.2	20	100	4	660
MT540-R	GaP/GaP	Red Diff	32°	1.1	2.7	10	2.1	3.0	20	100	5	700
MT540-G	GaP/GaP	Green Diff	32°	5.3	13.3	10	2.1	3.0	20	100	5	567
MT540-Y	GaAsP/GaP	Yellow Diff	32°	4.4	11.0	10	2.1	3.0	20	100	5	585
MT540-O	GaAsP/GaP	Orange Diff	32°	6.2	15.5	10	2.1	3.0	20	100	5	635
MT540-HR	GaAsP/GaP	Red Diff	32°	6.2	15.5	10	2.1	3.0	20	100	5	635
MT540-UR	GaAlAs	Red Diff	32°	28.0	71.0	10	1.7	2.2	20	100	4	660

# APPLICATION NOTES

## [4] Packaging Reel Packaging

### a) Reel type



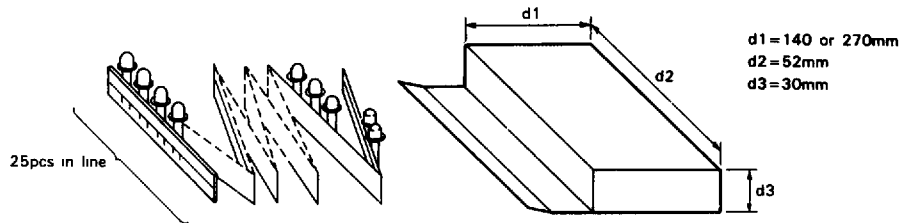
### Content

LED Type	Quantity/Reel
$\phi 3$ Series	2000 pcs
$\phi 5$ Series	1000 pcs

T-1 and T- 1 3/4 packages

\*Lamps with external shapes other than those above are also available. Please consult Marktech.

### b) Zigzag wound tape



At tape beginning and end, there is additional space for 4 pcs or more

### Content

LED Type	Quantity/Box
$\phi 3$ Series	2000 or 5000 pcs
$\phi 5$ Series	1000 or 2000 pcs



**marktech**

5 Hemlock Street • Latham, New York • (518) 786-6591 • FAX (518) 786-6599