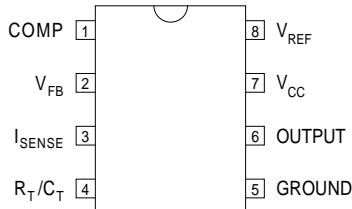
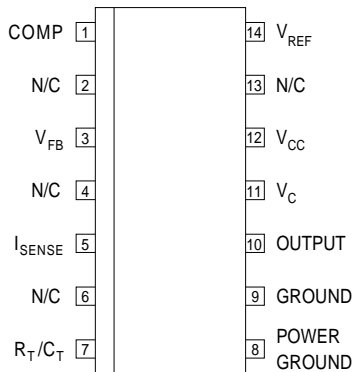


TOP VIEW



J Package – 8 Pin Ceramic DIP
N Package – 8 Pin Plastic DIP
D-8 Package – 8 Pin Plastic (150) SOIC

TOP VIEW



D-14 Package – 14 Pin Plastic (150) SOIC

**CURRENT MODE
REGULATING
PULSE WIDTH
MODULATORS**

FEATURES

- Guaranteed $\pm 1\%$ reference voltage tolerance
- Accurate oscillator discharge current
- Guaranteed $\pm 10\%$ frequency tolerance
- Low start-up current ($< 500 \mu A$)
- Under voltage lockout with hysteresis
- Output state completely defined for all supply and input conditions
- Interchangeable with IP and UC1842/3 series for improved operation
- 500kHz Oscillator operation

Order Information

| Part Number | J-Pack 8 Pin | N-Pack 8 Pin | D-8 8 Pin | D-14 14 Pin | Temp. Range | Note: |
|-------------|--------------|--------------|-----------|-------------|---------------|--|
| IP1842A | ✓ | | | | -55 to +125°C | To order, add the package identifier to the part number. |
| IP2842A | ✓ | ✓ | ✓ | ✓ | -25 to +85°C | |
| IP3842A | ✓ | ✓ | ✓ | ✓ | 0 to +70°C | |
| IP1843A | ✓ | | | | -55 to +125°C | eg. IP1842AD-14 IP3843AJ |
| IP2843A | ✓ | ✓ | ✓ | ✓ | -25 to +85°C | |
| IP3843A | ✓ | ✓ | ✓ | ✓ | 0 to +70°C | |

ABSOLUTE MAXIMUM RATINGS ($T_{case} = 25^\circ C$ unless otherwise stated)

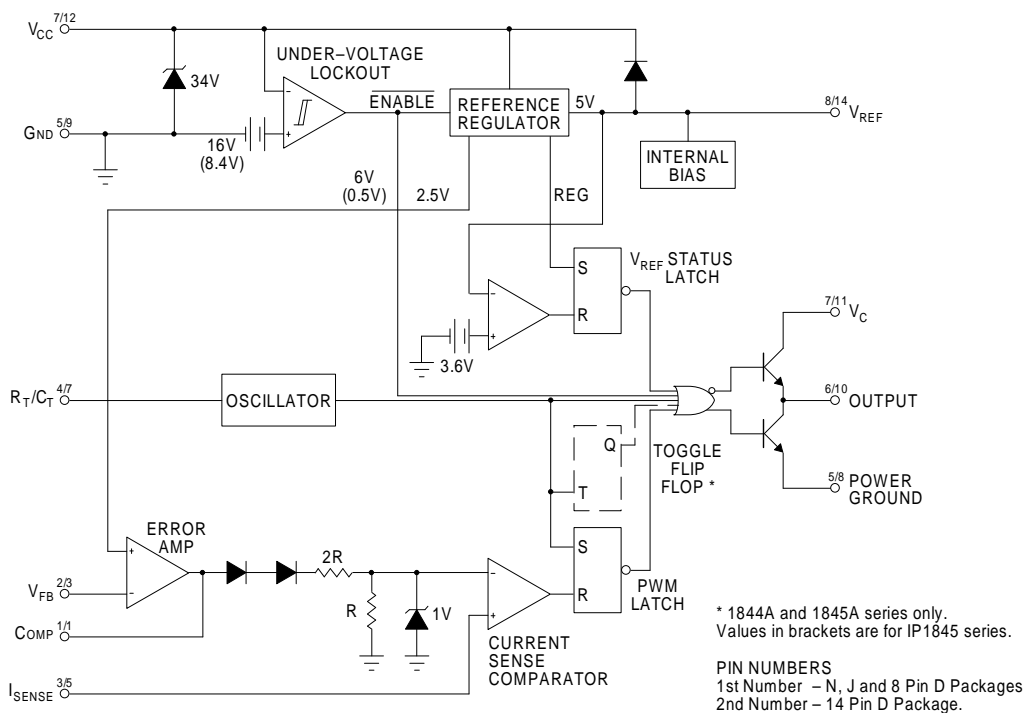
| | | | | |
|-----------|----------------------------------|---|---------------|-----------------------|
| V_{CC} | Supply Voltage | (low impedance source) ($I_{CC} < 30mA$) | | +30V Self limiting |
| I_O | Output Current | | | $\pm 1A$ |
| | Output Energy | (capacitive load) | | 5 μJ |
| | Analog Inputs | (pins 2 and 3) | | -0.3V to $+V_{CC}$ |
| | Error Amp Output Sink Current | | | 10mA |
| P_D | Power Dissipation | $T_{amb} = 25^\circ C$ | J, N Packages | 1W |
| | Derate @ $T_{amb} > 50^\circ C$ | | | 10mW/ $^\circ C$ |
| P_D | Power Dissipation | $T_{case} = 25^\circ C$ | D Package | 725mW |
| | Derate @ $T_{amb} > 50^\circ C$ | | | 7.25mW/ $^\circ C$ |
| P_D | Power Dissipation | $T_{case} = 25^\circ C$ | J, N Packages | 2W |
| | Derate @ $T_{case} > 25^\circ C$ | | | 16mW/ $^\circ C$ |
| T_{STG} | Storage Temperature Range | | | -65 to 150°C |
| T_L | Lead Temperature | (soldering, 10 seconds) | | +300°C |

DESCRIPTION

The IP1842A/IP1843A series of switching regulator control circuits contain all the functions necessary to implement off-line, current mode switching regulators, using a minimum number of external parts. Functions included are voltage reference, error amplifier, current sense comparator, oscillator, totem-pole output driver and under-voltage lockout circuitry.

Although pin compatible with the standard IP1842/3 parts these devices offer improved performance in several areas. They also offer tighter specification and improved performance over the IP and UC1842/3 series, whilst retaining complete compatibility.

BLOCK DIAGRAM



RECOMMENDED OPERATING CONDITIONS

| | | |
|----------|-------------------------------------|---|
| V_{CC} | Supply Voltage ¹ | $\leq 30V$ |
| I_O | Output Current | 0 to $\pm 200mA$ |
| | Analog Inputs (pins 2 and 3) | -0.3V to 3V |
| | Error Amp Output Sink Current | 0 to 2mA |
| | Operating Ambient Temperature Range | IP1842A , IP1843A IP2842A , IP2843A IP3842A , IP3843A |
| | | -55 to 125°C -25 to 85°C 0 to 70°C |

Notes:

1. Lower limit set by under voltage lockout specification.

ELECTRICAL CHARACTERISTICS (Over Full Operating Temperature Range unless otherwise stated)

| Parameter | Test Conditions ¹ | IP1842A , IP1843A IP2842A , IP2843A | | | IP3842A IP3843A | | | Units |
|------------------------------|---|--|------|------|--------------------|------|------|------------------------------------|
| | | Min. | Typ. | Max. | Min. | Typ. | Max. | |
| REFERENCE SECTION | | | | | | | | |
| Output Voltage | $I_O = 1\text{mA}$ $T_J = 25^\circ\text{C}$ | 4.95 | 5.00 | 5.05 | 4.90 | 5.00 | 5.10 | V |
| Input Regulation | $V_{CC} = 12\text{V to } 25\text{V}$ | | 6 | 20 | | 6 | 20 | mV |
| Output Regulation | $I_O = 1\text{mA to } 20\text{mA}$ | | 6 | 25 | | 6 | 25 | |
| Temperature Stability | | | 0.2 | 0.4 | | 0.2 | 0.4 | $\frac{\text{mV}}{^\circ\text{C}}$ |
| Total Output Variation | Line, Load, Temp | 4.90 | | 5.10 | 4.82 | | 5.18 | V |
| Output Noise Voltage | $f = 10\text{Hz to } 10\text{kHz}$ $T_J = 25^\circ\text{C}$ | | 50 | | | 50 | | μV |
| Long Term Stability | $T_J = 125^\circ\text{C @ } 1000\text{Hrs}$ | | 5 | 25 | | 5 | 25 | mV |
| Output Short Circuit Current | $V_{REF} = 0$ | 30 | 80 | 160 | 30 | 80 | 160 | mA |
| OSCILLATOR SECTION | | | | | | | | |
| Frequency | $T_J = 25^\circ\text{C}$ | 47 | 52 | 57 | 47 | 52 | 57 | kHz |
| Voltage Stability | $V_{CC} = 12\text{V to } 25\text{V}$ | | 0.2 | 1 | | 0.2 | 1 | % |
| Temperature Stability | $\Delta T_A = \text{Min to Max}$ | | 5 | | | 5 | | % |
| Amplitude | V_{PIN4} Peak to Peak | | 1.7 | | | 1.7 | | V |
| Discharge Current | $T_J = 25^\circ\text{C}$ | 7.8 | 8.3 | 8.8 | 7.8 | 8.3 | 8.8 | mA |
| | $\Delta T_A = \text{Min to Max}$ | 7 | | 9 | 7 | | 9 | |
| ERROR AMP SECTION | | | | | | | | |
| Input Voltage | $V_{PIN1} = 2.5\text{V}$ | 2.45 | 2.50 | 2.55 | 2.42 | 2.50 | 2.58 | V |
| Input Bias Current | | | -0.3 | -1 | | -0.3 | -2 | μA |
| Open Loop Voltage Gain | $V_O = 2\text{V to } 4\text{V}$ | 65 | 90 | | 65 | 90 | | dB |
| Unity Gain Bandwidth | | 0.7 | 1 | | 0.7 | 1 | | MHz |
| Supply Voltage Rejection | $V_{CC} = 12\text{V to } 25\text{V}$ | 60 | 70 | | 60 | 70 | | dB |
| Output Sink Current | $V_{PIN2} = 2.7\text{V}$ $V_{PIN1} = 1.1\text{V}$ | 2 | 6 | | 2 | 6 | | mA |
| Output Source Current | $V_{PIN2} = 2.3\text{V}$ $V_{PIN1} = 5\text{V}$ | -0.5 | -0.8 | | -0.5 | -0.8 | | |
| V_{OUT} High | $V_{PIN2} = 2.3\text{V}$ $R_L = 15\text{k}\Omega$ | 4.6 | 6 | | 4.6 | 6 | | V |
| V_{OUT} Low | $V_{PIN2} = 2.7\text{V}$ $R_L = 15\text{k}\Omega$ | | 0.7 | 1.1 | | 0.7 | 1.1 | |

NOTES

1. Test Conditions unless otherwise stated:

$V_{CC} = 15\text{V}^*$, $R_T = 10\text{k}\Omega$, $C_T = 3.3\text{nF}$, $f = 52\text{kHz}$.

*Adjust V_{CC} above start threshold before setting at required level.

All specifications apply over the full operating temperature range unless otherwise stated.
(See Ordering Information for further details).

ELECTRICAL CHARACTERISTICS (Over Full Operating Temperature Range unless otherwise stated)

| Parameter | Test Conditions ¹ | IP1842A , IP1843A IP2842A , IP2843A | | | IP3842A IP3843A | | | Units | | |
|---------------------------------------|---|--|----------------|------|--------------------|------|------|-------|-----|----|
| | | Min. | Typ. | Max. | Min. | Typ. | Max. | | | |
| CURRENT SENSE SECTION | | | | | | | | | | |
| Gain | See Notes 2,3 | 2.85 | 3 | 3.15 | 2.85 | 3 | 3.15 | V/V | | |
| Maximum Input Signal | V _{PIN1} = 5V (Note 2) | 0.9 | 1 | 1.1 | 0.9 | 1 | 1.1 | V | | |
| Supply Voltage Rejection | V _C = 12V to 25V | 60 | 70 | | 60 | 70 | | dB | | |
| Input Bias Current | | | -2 | -10 | | -2 | -10 | μA | | |
| Delay to Output | | | 150 | 300 | | 150 | 300 | ns | | |
| OUTPUT SECTION | | | | | | | | | | |
| Output Low Level | I _{SINK} = 20mA | | 0.1 | 0.4 | | 0.1 | 0.4 | V | | |
| | I _{SINK} = 200mA | | 1.5 | 2.2 | | 1.5 | 2.2 | | | |
| Output High Level | I _{SOURCE} = 20mA | 13 | 13.5 | | 13 | 13.5 | | V | | |
| | I _{SOURCE} = 200mA | 12 | 13.5 | | 12 | 13.5 | | | | |
| Rise Time | C _L = 1nF | | 50 | 150 | | 50 | 150 | ns | | |
| Fall Time | C _L = 1nF | | 50 | 150 | | 50 | 150 | | | |
| UVLO Saturation | V _{CC} = 6V I _L = 1mA | | 0.7 | 1.1 | | 0.7 | 1.1 | V | | |
| UNDER-VOLTAGE LOCKOUT SECTION | | | | | | | | | | |
| Upper Threshold (V _{CC}) | IP1842A Series | 15 | 16 | 17 | 14.5 | 16 | 17.5 | V | | |
| | IP1843A Series | 7.8 | 8.4 | 9 | 7.8 | 8.4 | 9 | | | |
| Lower Threshold (V _{CC}) | IP1842A Series | 9 | 10 | 11 | 8.5 | 10 | 11.5 | V | | |
| | IP1843A Series | 7 | 7.6 | 8.2 | 7 | 7.6 | 8.2 | | | |
| TOTAL STANDBY CURRENT | | | | | | | | | | |
| Start-up Current | | | 0.3 | 0.5 | | 0.3 | 0.5 | mA | | |
| Operating Supply Current | V _{PIN2} = 0V | IP1842A Series | | 11 | 15 | | 11 | 15 | mA | |
| | V _{PIN3} = 0V | | IP1843A Series | | 14 | 17 | | 14 | | 17 |
| V _{CC} Zener Voltage | I _{CC} = 25mA | | 30 | 34 | 40 | | 30 | 34 | 40 | V |
| PWM SECTION | | | | | | | | | | |
| Maximum Duty Cycle | | | 95 | 97 | 100 | | 95 | 97 | 100 | % |
| Minimum Duty Cycle | | | | | 0 | | | | 0 | |

NOTES

- Test Conditions unless otherwise stated:
V_{CC} = 15V*, R_T = 10kΩ, C_T = 3.3nF, f = 52kHz.
*Adjust V_{CC} above start threshold before setting at required level.
- Parameter measured at trip point of latch with
V_{PIN2} = 0V
- Gain defined as:

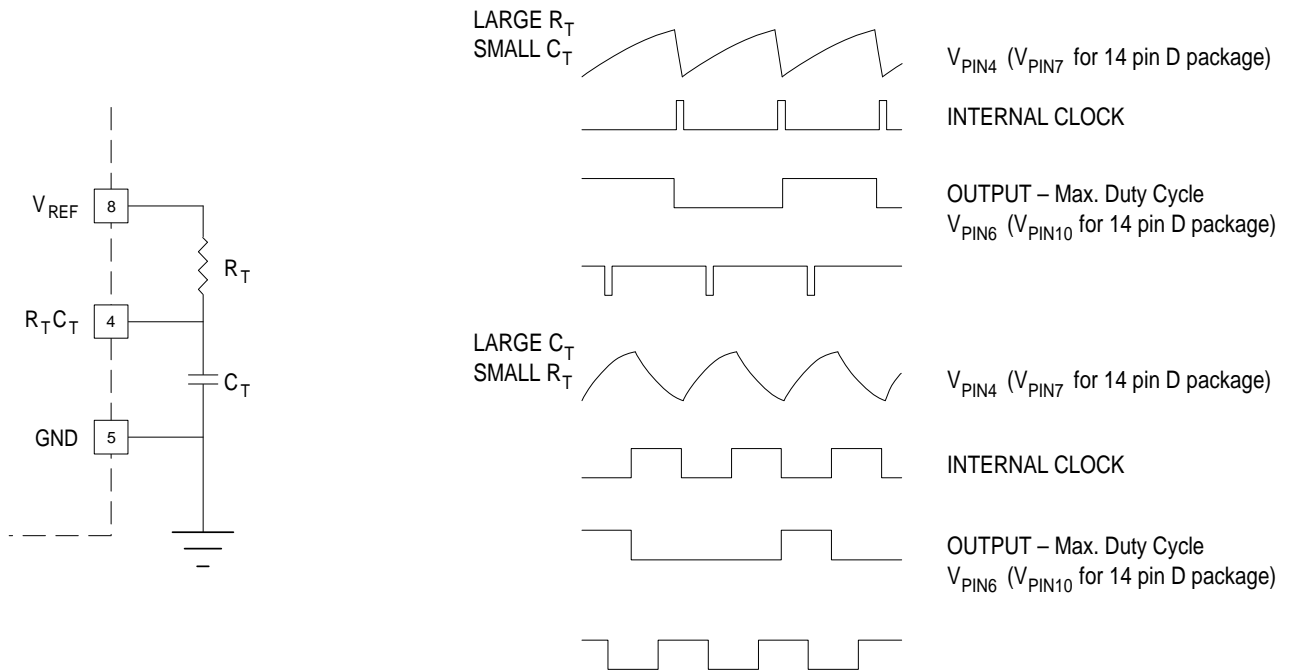
$$A = \frac{\Delta V_{PIN1}}{\Delta V_{PIN3}}$$

$$0 \leq V_{PIN3} \leq 0.8$$

All specifications apply over the full operating temperature range unless otherwise stated.
(See Ordering Information for further details).

APPLICATIONS INFORMATION

Oscillator Waveforms and Maximum Duty Cycle



Oscillator timing capacitor C_T is charged by V_{REF} through R_T and discharged by an internal current source. During the discharge time, the internal clock signal blanks the output to the low state. Selection of R_T and C_T therefore determines both oscillator frequency and maximum duty cycle. Charge and discharge times are determined by the formulae:

$$t_c \approx 0.55 R_T C_T$$

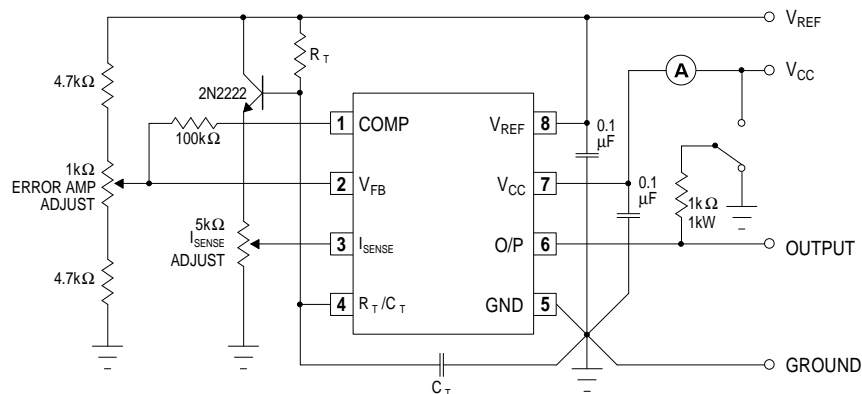
$$t_d \approx R_T C_T \ln \left(\frac{.0063 R_T - 2.3}{.0063 - 4} \right)$$

$$\text{Resultant frequency } f = \frac{1}{(t_c + t_d)}$$

For $R_T > 5k\Omega$,

$$\text{Resultant frequency } f \approx \frac{1.8}{(R_T C_T)}$$

Open-Loop Laboratory Test Fixture



High peak current associated with capacitive loads necessitate careful grounding techniques. Timing and bypass capacitors should be connected close to pin 5 in a single point ground. The transistor and 5K potentiometer are used to sample the oscillator waveform and apply an adjustable ramp to pin 3.

TYPICAL PERFORMANCE CHARACTERISTICS

