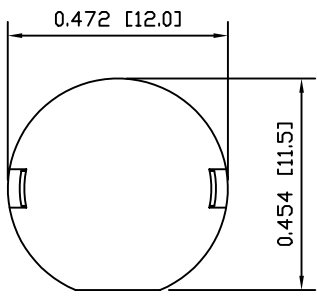
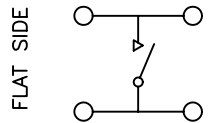


A



SCHEMATIC



MATERIALS

UPPER HOUSING:
Acrylonitrile Butadiene Styrene (ABS)

LOWER HOUSING:
Polybutylene Terephthalate (PBT)

CONTACTS:
Silver Plated Copper

TERMINALS:
Silver Plated Brass

SPECIFICATIONS

FUNCTION:
1P1T OFF-(ON)

RATINGS:
10mA 35VDC

CONTACT RESISTANCE:
Max. 20mΩ

INSULATION RESISTANCE:
100MΩ at 500VDC

WITHSTAND VOLTAGE:
500VAC For 1 Minute

CAPACITANCE:
1pF

ELECTRICAL LIFE:
250,000 Cycles

MECHANICAL LIFE:
>500,000 Cycles

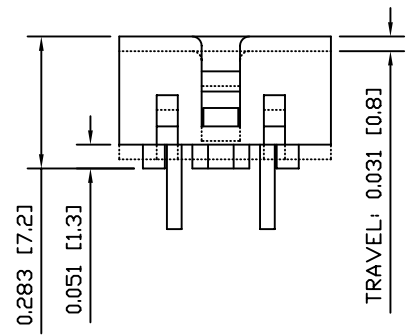
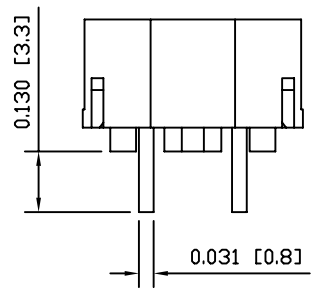
OPERATING TEMPERATURE:
-20°C~60°C

OPERATION FORCE:
130±40gf

A

B

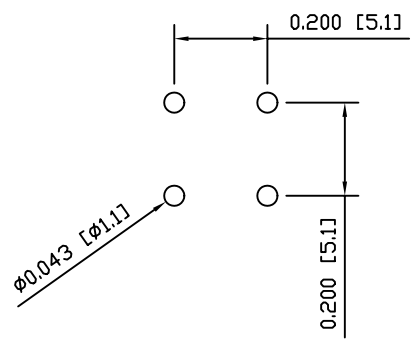
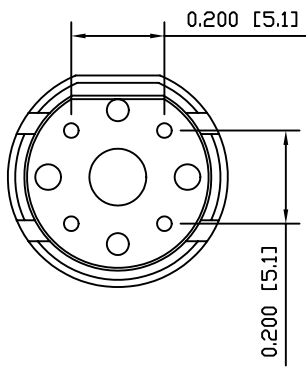
B



C

C

SUGGESTED PCB LAYOUT



COLORS

UPPER HOUSING COLOR:
Black

LOWER HOUSING COLOR:
White

D

D

UNLESS OTHERWISE SPECIFIED,
DIMENSIONS ARE IN INCHES [MILLIMETERS]
TOLERANCES ARE:

DEC .X±0.2	ANG ± 1°
.XXX±0.008	DRAWING NOT TO SCALE

LAMB
INDUSTRIES P.O. Box 25110
Portland, OR 97298

LAST REVISION:
FEB. 09, 2005

DRAWING NUMBER: 29-KS-04Q-01.dwg

KS-04Q-01