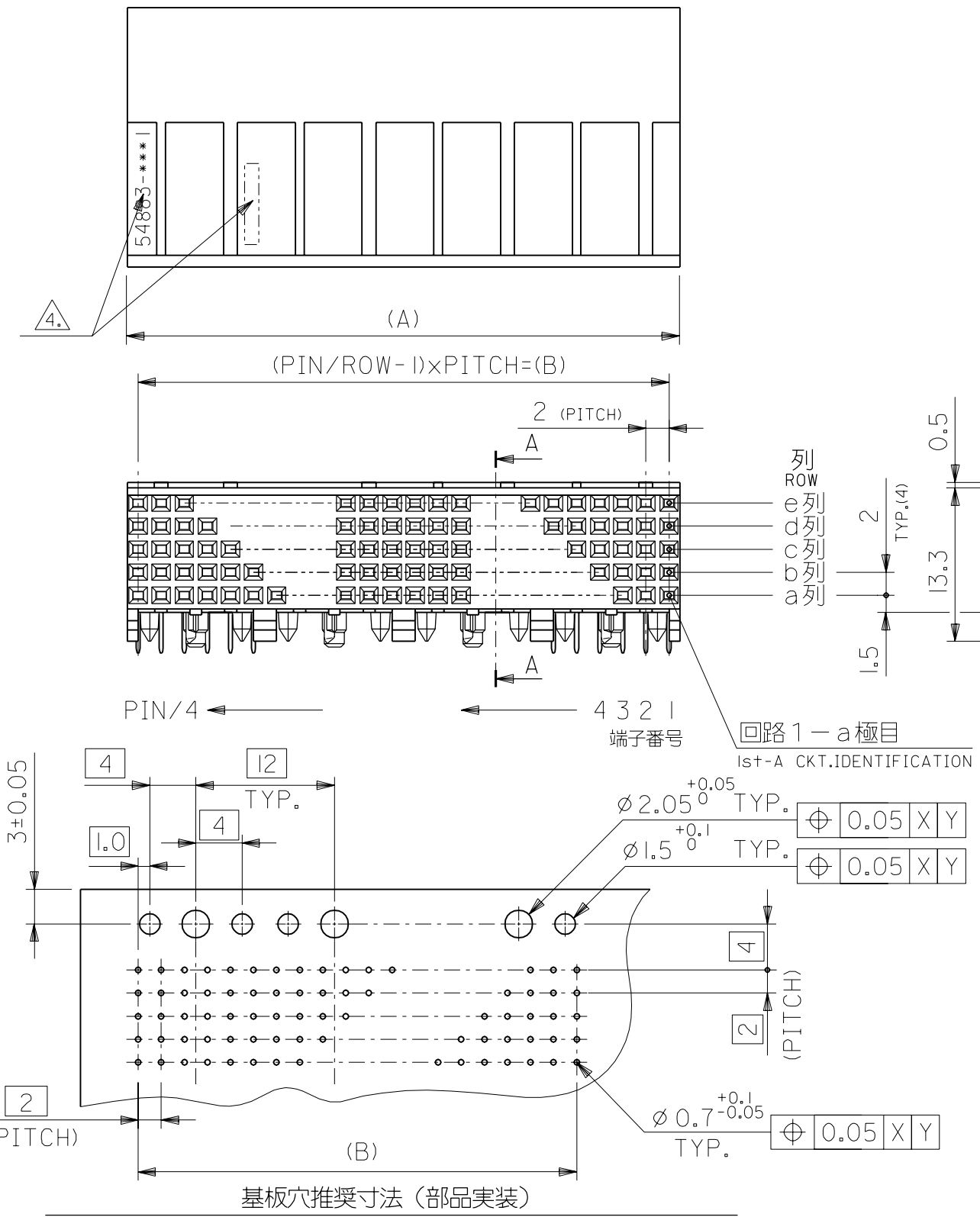


DWG. NO. SD-54883-002

DO NOT SCALE DRAWING

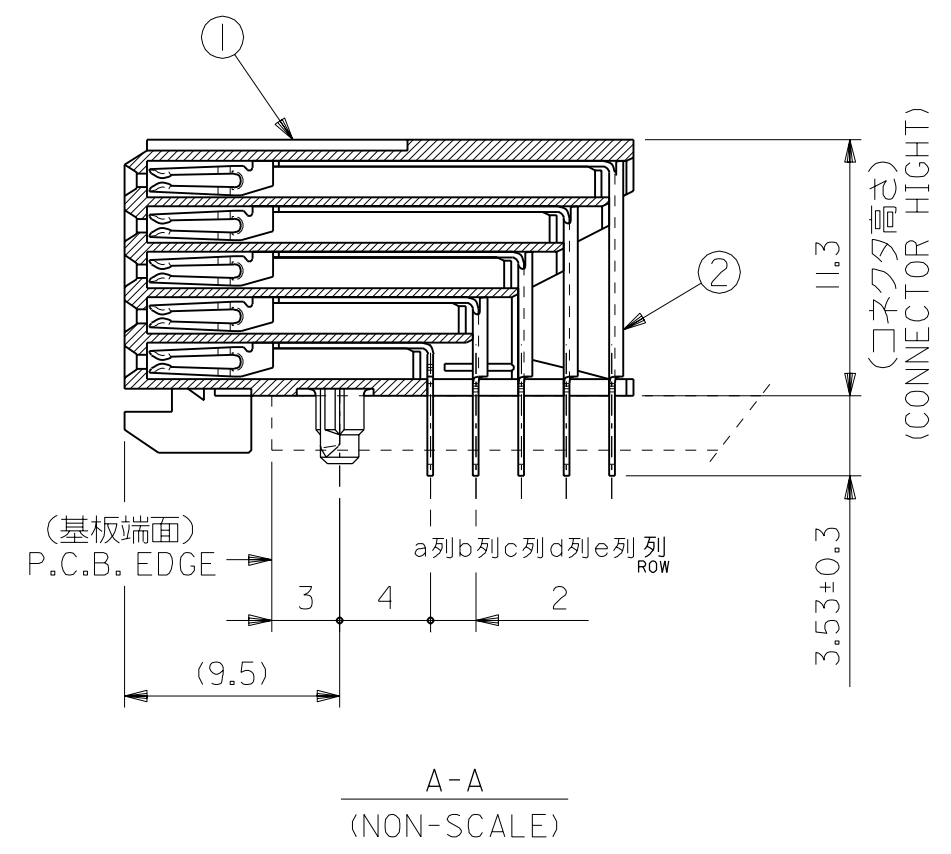
| 番号<br>No. | 部品<br>PART NAME                     | 材質<br>MATERIAL   | 仕上げ<br>FINISH |
|-----------|-------------------------------------|--|---------------|
| ①         | リセプタクル ハウジング<br>RECEPTACLE HOUSING  | 液晶ポリマー、ガラス充填、自然色(白)、UL94V-0<br>LIQUID CRYSTAL POLYMER, GLASS FILLED, NATURAL(WHITE), UL94V-0 | —#—           |
| ②         | リセプタクル ターミナル<br>RECEPTACLE TERMINAL | リン青銅<br>PHOSPHOR BRONZE  | △1.           |



RECOMMENDED P.C.B.LAYOUT (COMPONENT SIDE)

| REV | DESCRIPTION  | MATERIAL<br>材料 | FINISH<br>仕上げ | WIRE RANGE<br>適用電線範囲 | INS. RANGE<br>被覆外径 |
|-----|--|----------------|---------------|----------------------|--------------------|
| B   | REVISED<br>#61 NO. JD2001-1438<br>DRWN: S.HOSHIKAWA '01/04/24<br>CHK: A.NODA<br>APPR: H.IKESUGI  |                |               |                      |                    |
| A   | RELEASED<br>#60 NO. JD2001-0317<br>DRWN: S.HOSHIKAWA '00/08/25<br>CHK: A.NODA<br>APPR: H.IKESUGI |                |               |                      |                    |

- 注記  
NOTE :
- △1. ターミナル めっき仕様  
TERMINAL PLATING  
金めっき : 0.76 μm MIN. (接点部)  
GOLD : 0.76 μm MIN. (CONTACT AREA)  
半田めっき : 1.0 μm MIN. (半田付け部)  
TIN-LEAD : 1.0 μm MIN. (SOLDER AREA)  
ニッケルメッキ : 2.0 μm MIN. (下地めっき)  
NICKEL : 2.0 μm MIN. (UNDER PLATING)
  - 2. 推奨基板厚 : t=2.4mm  
RECOMMENDED P.C.B. THICKNESS :
  - 3. 適合プラグ : 55060, 55332, 55333  
APPLICABLE PLUG :
  - △4. 製品番号及びロットナンバー  
MATERIAL NO. & LOT NO.



|    |       |              |     |
|----|-------|--------------|-----|
| 94 | 95.98 | 54883-2401   | 240 |
| 46 | 47.98 | 54883-1201   | 120 |
| 22 | 23.98 | 54883-0601   | 60  |
| 10 | 11.98 | 54883-0301   | 30  |
| B  | A     | MATERIAL NO. | PIN |

|  |       |   |  |                          |     |
|--|-------|---|--|--------------------------|-----|
| MODEL NO. : 54883-***1   |       | DIMENSIONS:   |  | SHT                      | REV |
| SCALE 2-1  |       | DESIGN UNITS  |  | DRAWN BY & DATE          |     |
| GENERAL TOLERANCES:<br>(UNLESS SPECIFIED)<br>一般公差  |       | <input checked="" type="checkbox"/> mm <input type="checkbox"/> INCH<br><input type="checkbox"/> mm <input type="checkbox"/> INCH |  | CHECKED BY & DATE        |     |
| 10 UNDER 未満  | ±0.2  | TITLE: "MFB" B/B CONN. (FB+)<br>REC. ASS'Y<br>5ROW DIP  |  | APPROVED BY & DATE       |     |
| 10 OVER 以上 30 UNDER 未満   | ±0.25 | MATERIAL NO. SEE TABLE  |  | DRAWING NO. SD-54883-002 |     |
| 30 OVER 以上   | ±0.3  | DRAWING NO. SD-54883-002  |  | SHEET NO. 1 OF 1         |     |
| ANGLE 角度   | ±3°   | DRAWING NO. SD-54883-002  |  | SHEET NO. 1 OF 1         |     |
| THIS DRAWING CONTAINS INFORMATION THAT IS PROPRIETARY TO MOLEX INCORPORATED AND SHOULD NOT BE USED WITHOUT WRITTEN PERMISSION. |       |   |  |                          |     |
| SIZE B   |       |   |  |                          |     |