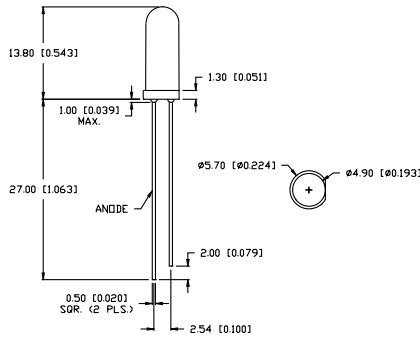


SSL-LX50133 Series

T-5mm Extra Tall



FEATURES / OPTIONS

- ▶ State-of-the-Art, High Brightness Chip Technology
- ▶ Choice of Colors and Lens Finishes
- ▶ Lead Frame / Lens Casting Reliability
- ▶ Easy-to-Solder Leads, Tin Finish
- ▶ Available Bulk or on Tape and Reel
- ▶ Lead Trimming and Forming Available
- ▶ Custom Shapes, Easily Tooled, Low Minimum
- ▶ Blinking LED
- ▶ With Internal Resistor for 5V and 12V Operation

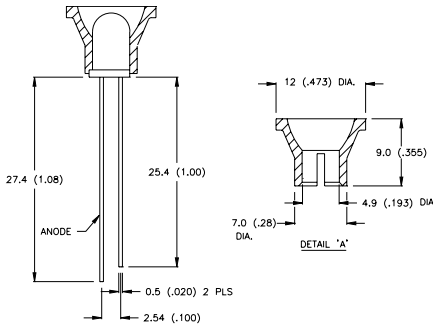
APPLICATIONS / USES

- ▶ Board or Panel Indication or Illumination
- ▶ Backlighting of Overlays and Graphics
- ▶ Annunciator and Control Panels
- ▶ Keyboards and Switches
- ▶ Telecom Switches and Central Station Equipment
- ▶ Signs, Warning Lights, Displays

Lumex Part Number	Die Material	Emitted Color	Peak (nm)	Lens	Operating Current (mA)	Operating TYP. Vf (V)	Brightness TYP. Mcd	@ mA	View Angle° 2θ
HIGH BRIGHTNESS									
SSL-LX50133SID	AllnGaP	Super High Intensity Red	636	Red Diffused	5-25	2	200	20	60
SSL-LX50133SOD	AllnGaP	Super Orange	610	Orange Diffused	5-25	2	200	20	60
SSL-LX50133SUGD	AllnGaP	Super Ultra Green	574	Green Diffused	5-25	2.2	120	20	60
SSL-LX50133SYD	AllnGaP	Super Yellow	590	Yellow Diffused	5-25	2	120	20	60
SSL-LX50133USBD	InGaN/SiC	Ultra Super Blue	470	Blue Diffused	5-25	3.5	120	20	60
STANDARD BRIGHTNESS									
SSL-LX50133GD	GaP	Green	565	Green Diffused	5-25	2.2	20	20	60
SSL-LX50133ID	GaAsP	High Intensity Red	635	Red Diffused	5-25	2	40	20	60
SSL-LX50133SRD	GaAlAs	Super Red	660	Red Diffused	5-25	1.7	150	20	60
SSL-LX50133YD	GaAsP	Yellow	585	Yellow Diffused	5-25	2.1	20	20	60

SSI-LXR5093 Series

T-5mm LED w/Chrome Reflector



FEATURES / OPTIONS

- ▶ State-of-the-Art, High Brightness Chip Technology
- ▶ Choice of Colors and Lens Finishes
- ▶ PCB with Chips on Board Construction
- ▶ Easy-to-Solder Leads, Tin Finish
- ▶ Lead Trimming and Forming Available
- ▶ Custom Shapes, Easily Tooled, Low Minimum
- ▶ Blinking LED
- ▶ With Internal Resistor for 5V and 12V Operation

APPLICATIONS / USES

- ▶ Board or Panel Indication or Illumination
- ▶ Backlighting of Overlays and Graphics
- ▶ Annunciator and Control Panels
- ▶ Telecom Switches and Central Station Equipment
- ▶ Large Panel Indicators

Lumex Part Number	Die Material	Emitted Color	Peak (nm)	Lens	Operating Current (mA)	Operating TYP. Vf (V)	Brightness TYP. Mcd	@ mA	View Angle° 2θ	Component LED Used
HIGH BRIGHTNESS										
SSI-LXR5093SID	AllnGaP	Super High Intensity Red	636	Red Diffused	5-25	2	700	20	60	SSL-LX5093SID
SSI-LXR5093SOD	AllnGaP	Super Orange	610	Orange Diffused	5-25	2	800	20	60	SSL-LX5093SOD
SSI-LXR5093SUGD	AllnGaP	Super Ultra Green	574	Green Diffused	5-25	2.2	170	20	60	SSL-LX5093SUGD
SSI-LXR5093SRD/D	GaAlAs	Super Red	660	Red Diffused	5-25	1.8	250	20	60	SSL-LX5093SRD/D
SSI-LXR5093SYD	AllnGaP	Super Yellow	590	Yellow Diffused	5-25	2	400	20	60	SSL-LX5093SYD
SSI-LXR5093USBD	InGaN/SiC	Ultra Super Blue	470	Blue Diffused	5-25	3.5	300	20	60	SSL-LX5093USBD
STANDARD BRIGHTNESS										
SSI-LXR5093GD	GaP	Green	565	Green diffused	5-25	2.2	30	20	60	SSL-LX5093GD
SSI-LXR5093ID	GaAsP	High Intensity Red	635	Red Diffused	5-25	2.1	30	20	60	SSL-LX5093ID
SSI-LXR5093YD	GaAsP	Yellow	585	Yellow Diffused	5-25	2.1	30	20	60	SSL-LX5093YD



USA/Canada 1-800-278-5666
Asia +886-3-5821124



www.lumex.com



USA/Canada 1-847-359-8904
Asia +886-3-5821154

1
2
3
4
5
6
7
8
9
10
11
12
13
14
15
16
17
18
19
20
21
22
23
24
25
26
27
28
29