

## INTRODUCTION

Adam Tech Right Angle .283" & .545" footprint Machine Contact PCB D-Sub connectors are a popular interface for many I/O applications. Offered in 9, 15, 25 and 37 positions they are a good choice for a high reliability industry standard connection. These connectors are manufactured with precision machine turned contacts and offer an exceptional high reliability connection. These connectors are manufactured with precision stamped contacts offering a choice of contact plating and a wide selection of mating and mounting options.

## FEATURES:

- Exceptional Machine Contact connection
- Industry standard compatibility
- Durable metal shell design
- Precision formed bifurcated contacts
- Variety of Mating and mounting options

## MATING CONNECTORS:

Adam Tech D-Subminiatures and all industry standard D-Subminiature connectors.

## SPECIFICATIONS:

### Material:

Insulator: PBT, 30% glass reinforced, rated UL94V-0  
 Insulator Colors: White (Black optional)  
 Contacts: Phosphor Bronze  
 Shell: Steel, Tin or Zinc plated  
 Hardware: Brass, Nickel plated

### Contact Plating:

Gold Flash (15 and 30 µin Optional) over Nickel underplate.

### Electrical:

Operating voltage: 250V AC / DC max.  
 Current rating: 5 Amps max.  
 Contact resistance: 20 mΩ max. initial  
 Insulation resistance: 5000 MΩ min.  
 Dielectric withstanding voltage: 1000V AC for 1 minute

### Mechanical:

Insertion force: 0.75 lbs max  
 Extraction force: 0.44 lbs min

### Temperature Rating:

Operating temperature: -65°C to +125°C

## PACKAGING:

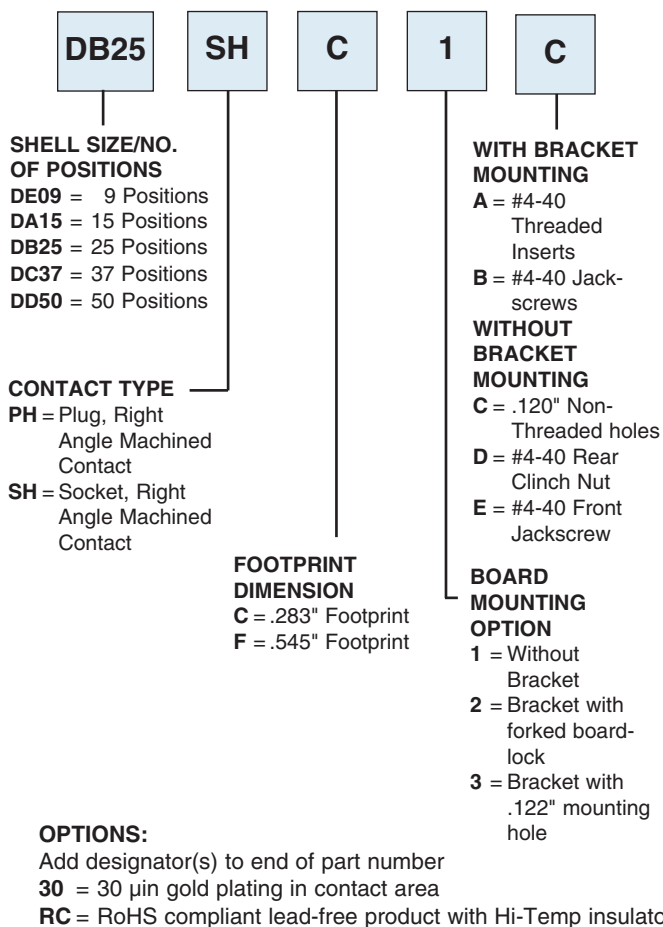
Anti-ESD plastic trays

## APPROVALS AND CERTIFICATIONS:

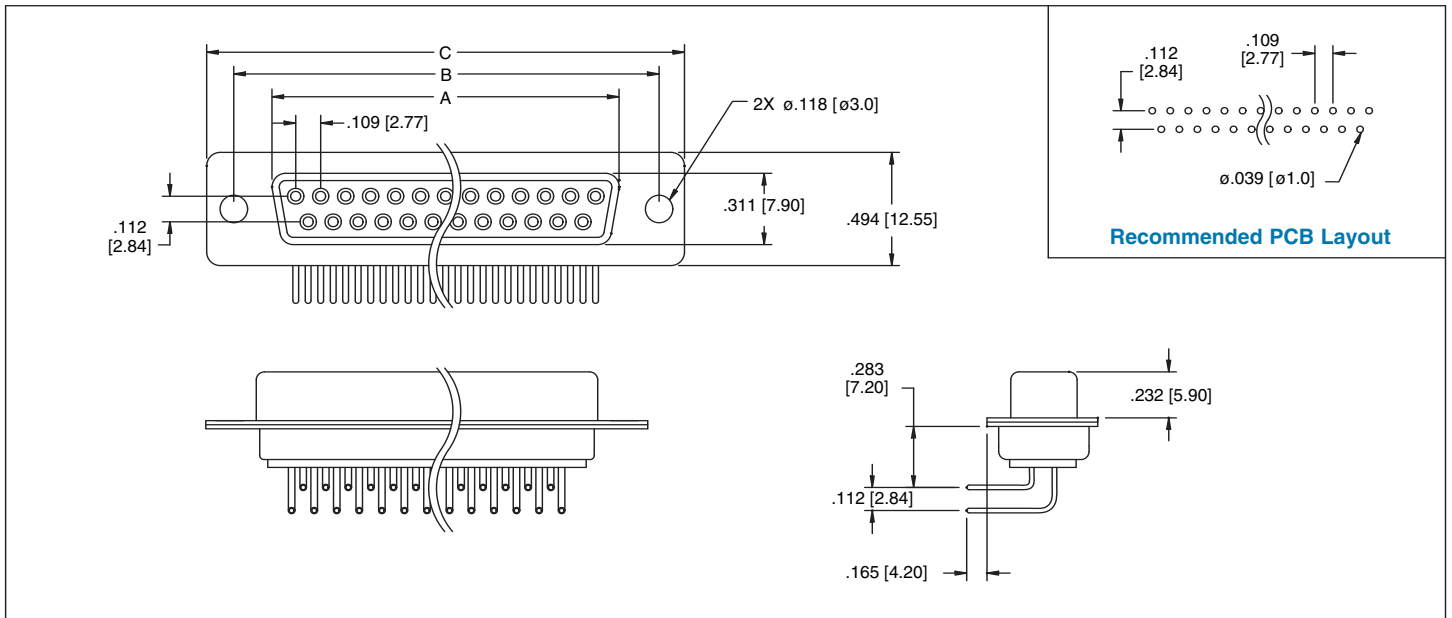
UL Recognized File No. E224053  
 CSA Certified File No. LR1578596



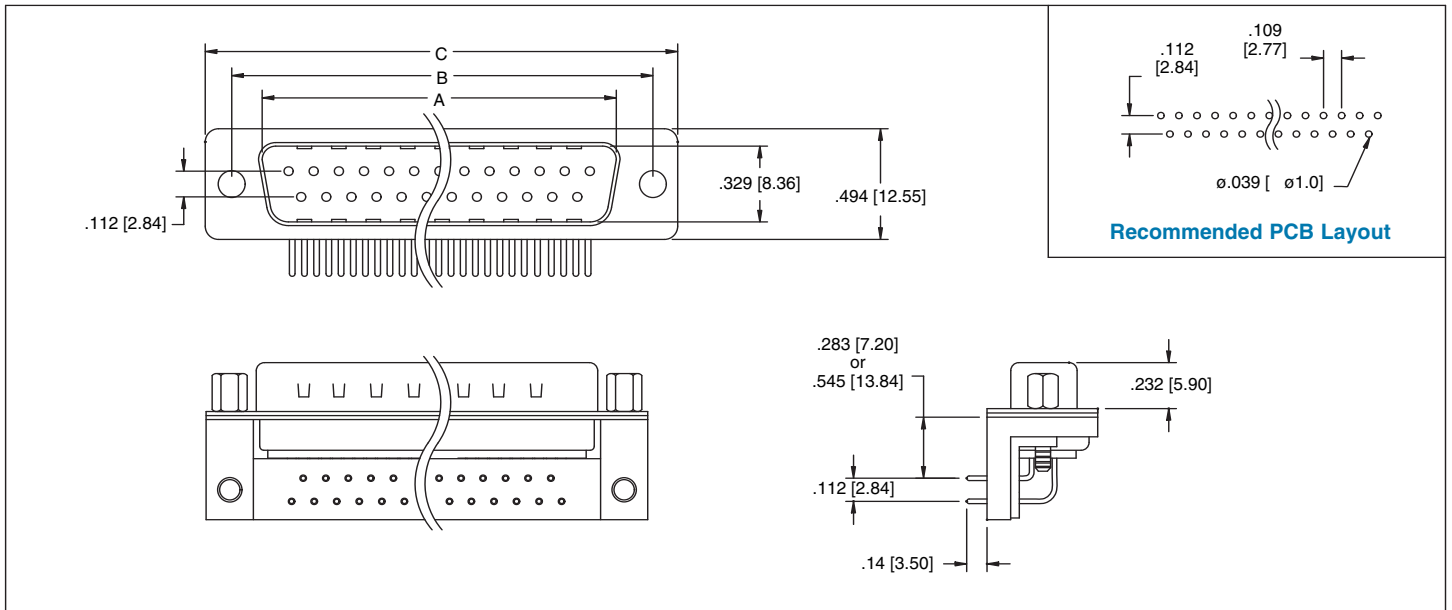
## ORDERING INFORMATION



## PLUG



## SOCKET



Unit: Inch / mm

POSITIONS	Socket Dimensions			POSITIONS	Plug Dimensions		
	A	B	C		A	B	C
9	.643 (16.33)	.984 (24.99)	1.213 (30.81)	9	.666 (16.92)	.984 (24.99)	1.213 (30.81)
15	.971 (24.66)	1.312 (33.32)	1.541 (39.14)	15	.994 (25.25)	1.312 (33.32)	1.541 (39.14)
25	1.511 (38.38)	1.852 (47.04)	2.088 (53.04)	25	1.534 (38.96)	1.852 (47.04)	2.088 (53.04)
37	2.159 (54.84)	2.500 (63.50)	2.729 (69.32)	37	2.182 (55.42)	2.500 (63.50)	2.729 (69.32)
50	2.064 (52.43)	2.406 (61.11)	2.635 (66.93)	50	2.079 (52.81)	2.406 (61.11)	2.635 (66.93)