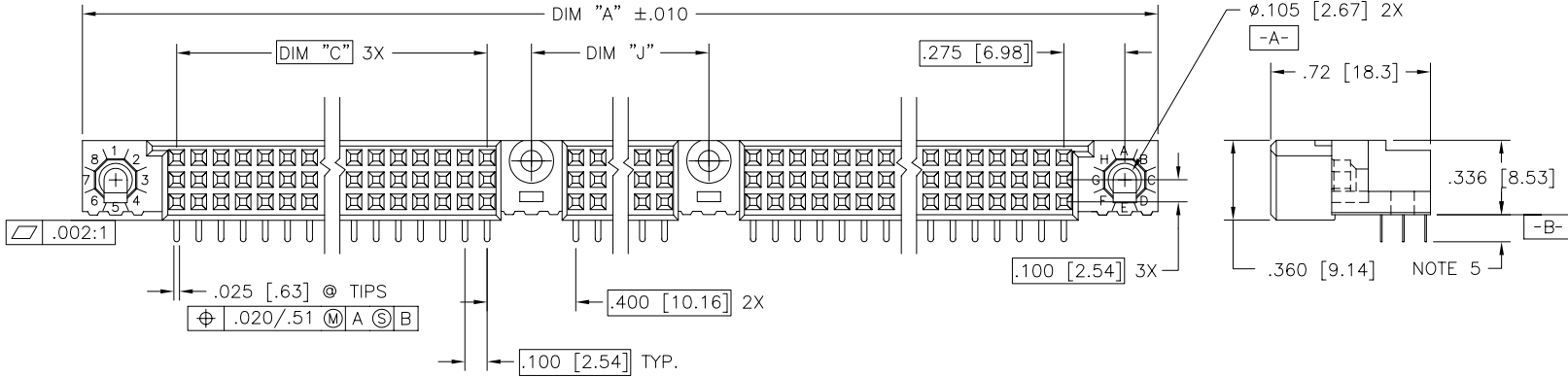
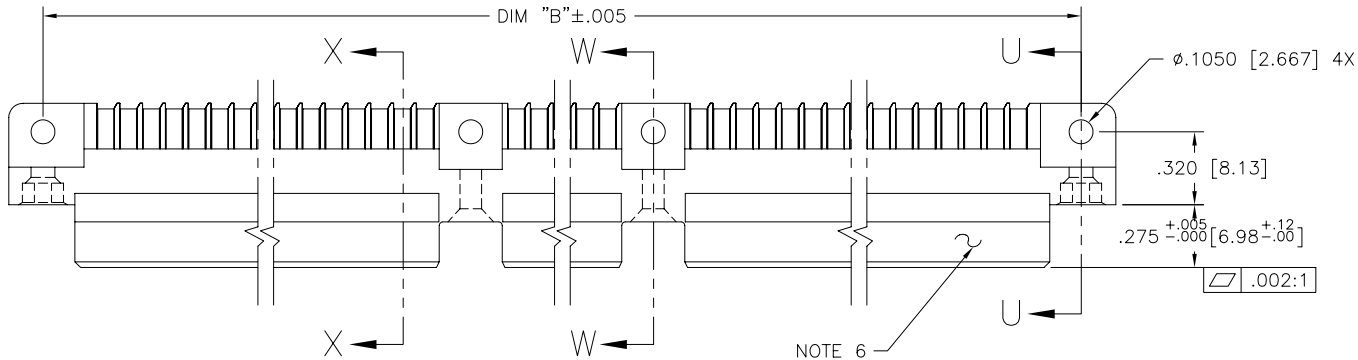


PRODUCT NUMBER
SEE NOTE 1

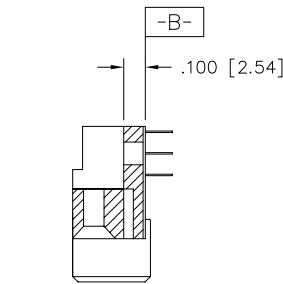
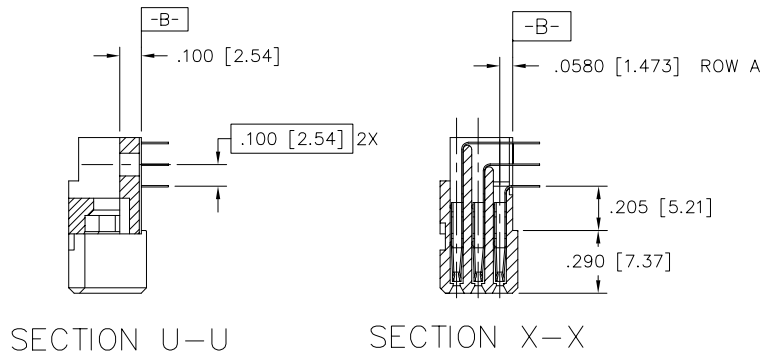


mat'l. code		surface ISO 1302 ✓		tolerance ISO 406 ISO 1101		projection INCH/MM		product family HPC	
ltr		ecn no dr		date		tolerances unless otherwise specified		title	
A	V40979	GAH	6/8/94			angles	.XX±.01/.3	3 ROW R/A RECEPTACLE	
B	V00294	JWS	2/7/00			linear	.XXX±.005/.13	2 G.P., NO-RIB, GENERIC MNT.	
C	V20646	MEM	5/24/02			0°±2'	.xxxx±.0020/.051	scale 1:1	
D	M06-0255	AGS	7/7/06	dr	G. HULL	7/28/94	FCJ		dwg no
				enr	D. HORCHLER	6/8/94			sheet 1 of 2
				chr	D. HORCHLER	7/28/94			size
				appd	S. CLARK	8/5/94			A3
sheet index		revision sheet		D	D				
1		1 2		1	2				

FCI
FCIconnect.com

Copyright FCI

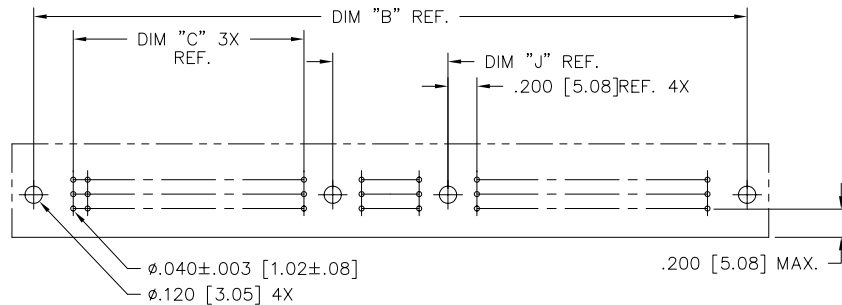
PRODUCT NUMBER	DIM.	LENGTH FORMULAS
SEE NOTE 1	DIM A	.100/2.54 X NO. OF COLUMNS + 1.35/34.3
	DIM B	.100/2.54 X NO. OF COLUMNS + 1.050/26.67
	DIM C	.100/2.54 X NO. OF COLUMNS DIVIDED BY 3 - .100/2.54
	DIM J	.100/2.54 X NO. OF COLUMNS DIVIDED BY 3 + .300/7.62



SECTION W-W

NOTES:

- ① PRODUCT NUMBERING CODE:
50830 - X YYY Z
 - TAIL LENGTH(NOTE 5)
 - NO. OF POSITIONS(NOTE 2)
 - PLATING(NOTE 4)
 - BASE NUMBER
- ② THIS PRODUCT IS CONFIGURED IN SIZES OF 30 THRU 150 COLUMNS IN INCREMENTS OF THREE.
i.e.: 30,33,36,39.....147,150.
- ③ HOUSING MATERIAL: GLASS AND MINERAL FILLED HIGH TEMP. THERMOPLASTIC. FLAME RETARDANT PER UL94V-0. COLOR: BLACK.
CONTACT MATERIAL: BeCu
- ④ PLATING CONTACT AREA OPTIONS:
1 = 30u"/.76u GOLD
3 = 50u"/1.27u GOLD
5 = 30u"/.76u GXT
ALL SOLDER TAILS TIN/LEAD
- ⑤ TAIL LENGTH OPTIONS:
E = .125±.010 / 3.18±.25
F = .145±.010 / 3.68±.25
H = .180±.010 / 4.57±.25
- ⑥ MANUFACTURE'S NAME, PART NUMBER AND LOT CODE TO APPEAR ON THIS SURFACE PER BUS-12-108.
7. FOR DOCUMENTATION MENU, SEE SPECIFICATION BUS-01-057.



RECOMMENDED PCB LAYOUT
(ALL HOLES LOCATED ON .100 [2.54] GRID UNLESS OTHERWISE SPECIFIED)

mat'l. code		surface ISO 1302 ✓ ISO 406 ISO 1101		tolerance ISO 406 ISO 1101		projection ⊕		product family HPC	
ltr		ecn no		dr		date		tolerances unless otherwise specified	
D								.XX±.01/.3	
								linear .XXX±.005/.13	
								.XXXX±.0020/.051	
								INCH/MM	
								scale 1:1	
				dr		G. HULL		7/28/94	
				enrg		D. HORCHLER		6/8/94	
				chr		D. HORCHLER		7/28/94	
				appd		S. CLARK		8/5/94	
sheet index		revision sheet							
								title 3 ROW R/A RECEPTACLE 2 G.P., NO-RIB, GENERIC MNT.	
								dwg no 50830	
								sheet 2 of 2 size A3	
								type Product Customer Drawing	