

1-925369-2 ✓ ACTIVE

AMPMODU | AMPMODU IV/V

TE Internal #: 1-925369-2

Housing, Receptacle, Wire-to-Board, 12 Position, .1 in [2.54 mm]

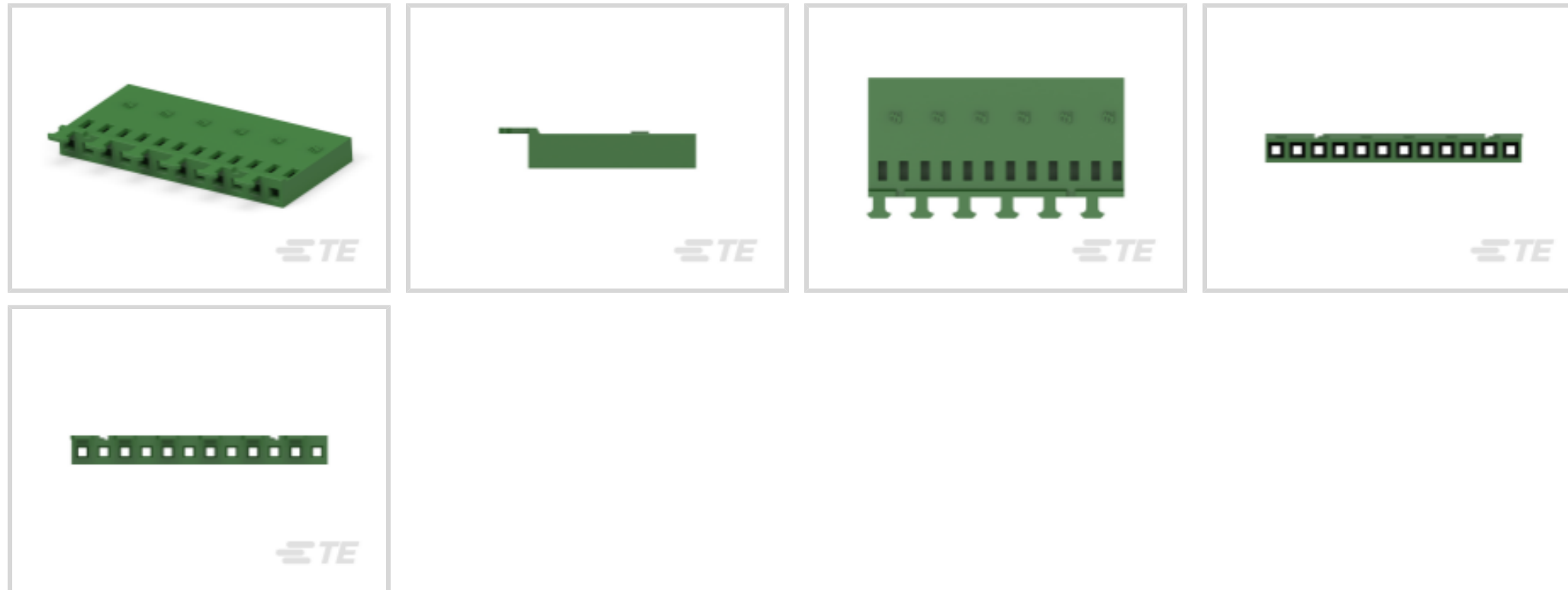
Centerline, Crimp, 1 Row, Green, Mating Retention, Wire & Cable,

Signal, AMPMODU IV/V

[View on TE.com >](#)



Connectors > PCB Connectors > Wire-to-Board Connectors > Wire-to-Board Connector Assemblies & Housings



Connector Product Type: **Housing**

Connector & Housing Type: **Receptacle**

Connector System: **Wire-to-Board**

Number of Positions: **12**

Centerline (Pitch): **2.54 mm [.1 in]**

Features

Product Type Features

Connector Product Type	Housing
Connector & Housing Type	Receptacle
Connector System	Wire-to-Board
Connector & Contact Terminates To	Wire & Cable

Configuration Features

Number of Positions	12
Number of Rows	1

Electrical Characteristics

Operating Voltage	250 VAC
-------------------	---------

Body Features

Primary Product Color	Green
-----------------------	-------

Contact Features

Contact Layout	Inline
----------------	--------



Contact Type	Socket
--------------	--------

Contact Current Rating (Max)	3 A
------------------------------	-----

Termination Features

Termination Method to Wire & Cable	Crimp
------------------------------------	-------

Mechanical Attachment

Strain Relief	With
---------------	------

Mating Retention Type	Lock
-----------------------	------

Mating Retention	With
------------------	------

Connector Mounting Type	Cable Mount (Free-Hanging)
-------------------------	----------------------------

Housing Features

Housing Entry Configuration	Both Ends Closed
-----------------------------	------------------

Housing Material	PA 6.6
------------------	--------

Centerline (Pitch)	2.54 mm[.1 in]
--------------------	----------------

Dimensions

	.11 in
--	--------

Row-to-Row Spacing	2.54 mm[.1 in]
--------------------	----------------

Usage Conditions

Operating Temperature Range	-65 – 105 °C[-85 – 221 °F]
-----------------------------	----------------------------

Operation/Application

Circuit Application	Signal
---------------------	--------

Industry Standards

Glow Wire Rating	Standard Part - Not Glow Wire
------------------	-------------------------------

UL Flammability Rating	UL 94V-0
------------------------	----------

Packaging Features

Packaging Quantity	1000
--------------------	------

Packaging Method	Carton
------------------	--------

Product Compliance

[For compliance documentation, visit the product page on TE.com>](#)

EU RoHS Directive 2011/65/EU	Compliant
------------------------------	-----------

EU ELV Directive 2000/53/EC	Compliant
-----------------------------	-----------

China RoHS 2 Directive MIIT Order No 32, 2016	No Restricted Materials Above Threshold
---	---



EU REACH Regulation (EC) No. 1907/2006

Current ECHA Candidate List: JUNE 2023 (235)

Candidate List Declared Against: JUNE 2023 (235)

Does not contain REACH SVHC

Halogen Content

BFR/CFR/PVC Free, but Br/Cl >900 ppm in other sources.

Solder Process Capability

Not applicable for solder process capability

Product Compliance Disclaimer

This information is provided based on reasonable inquiry of our suppliers and represents our current actual knowledge based on the information they provided. This information is subject to change. The part numbers that TE has identified as EU RoHS compliant have a maximum concentration of 0.1% by weight in homogenous materials for lead, hexavalent chromium, mercury, PBB, PBDE, DBP, BBP, DEHP, DIBP, and 0.01% for cadmium, or qualify for an exemption to these limits as defined in the Annexes of Directive 2011/65/EU (RoHS2). Finished electrical and electronic equipment products will be CE marked as required by Directive 2011/65/EU. Components may not be CE marked. Additionally, the part numbers that TE has identified as EU ELV compliant have a maximum concentration of 0.1% by weight in homogenous materials for lead, hexavalent chromium, and mercury, and 0.01% for cadmium, or qualify for an exemption to these limits as defined in the Annexes of Directive 2000/53/EC (ELV). Regarding the REACH Regulation, the information TE provides on SVHC in articles for this part number is based on the latest European Chemicals Agency (ECHA) 'Guidance on requirements for substances in articles' posted at this URL: <https://echa.europa.eu/guidance-documents/guidance-on-reach>

Compatible Parts

TE Part # 141708-1
MOD-4 REC.CONT.SCP.

TE Part # 167021-2
MOD-4 REC.CONT.SCP.

TE Part # 167301-4
MOD-4 REC.CONT.SCP.

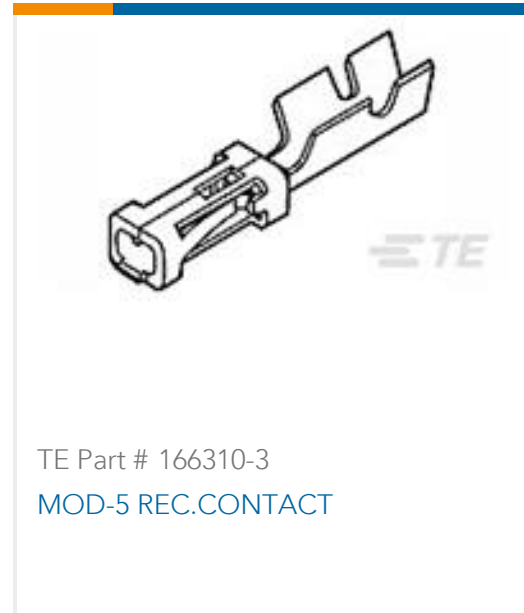
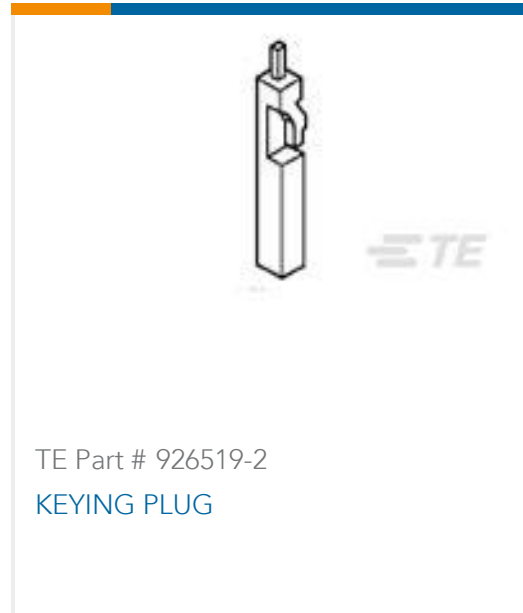
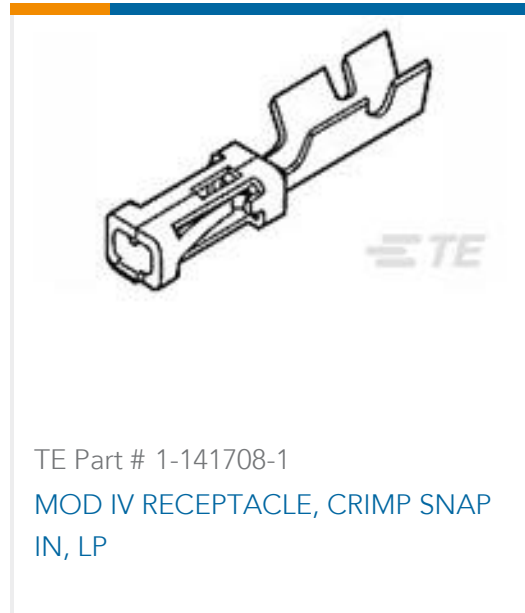
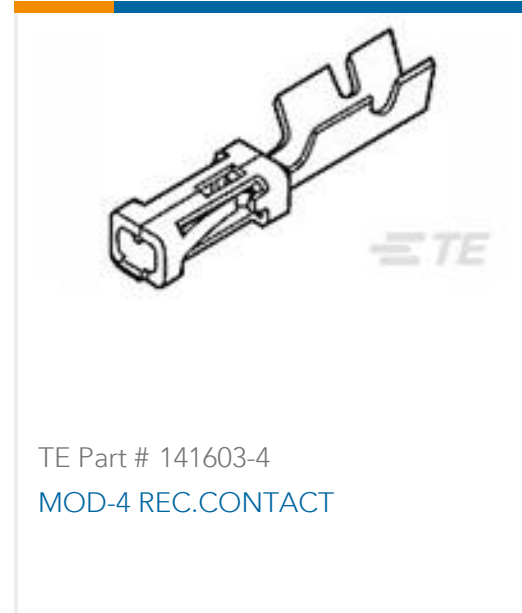
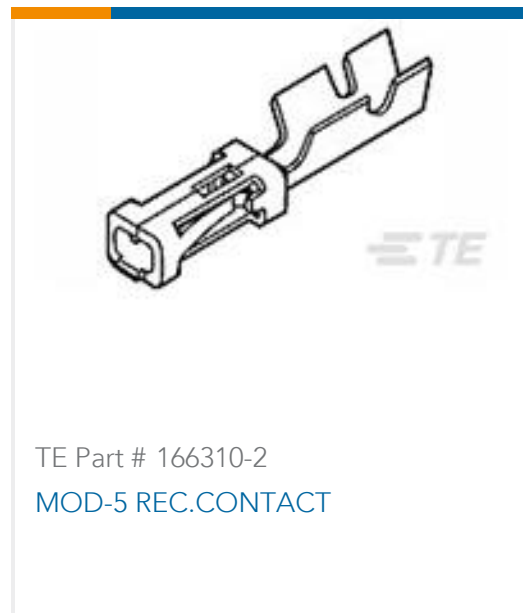
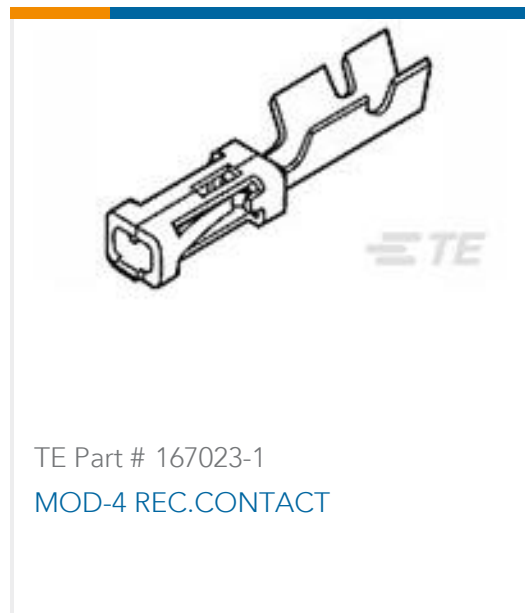
TE Part # 2-167301-4
MOD-4 REC.CONT.SCP.

TE Part # 2-167301-2
MOD-4 REC.CONT.SCP.

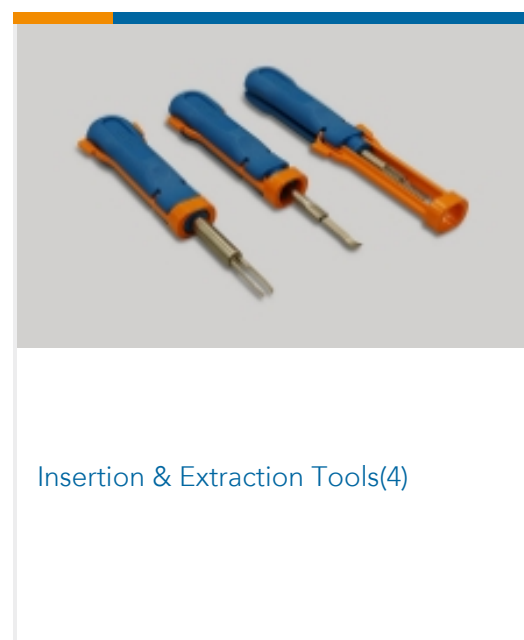
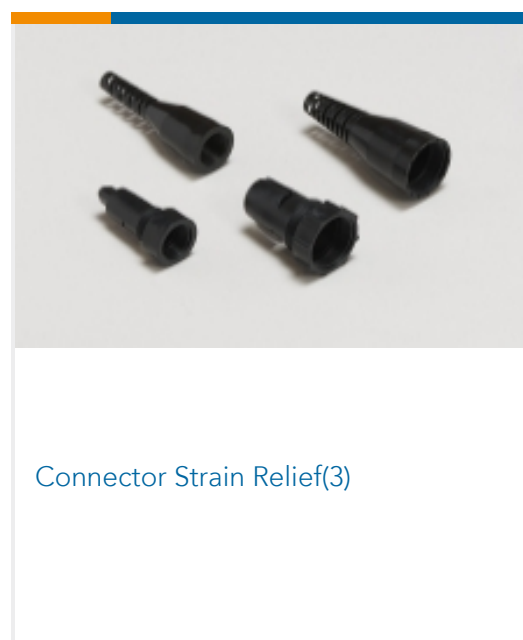
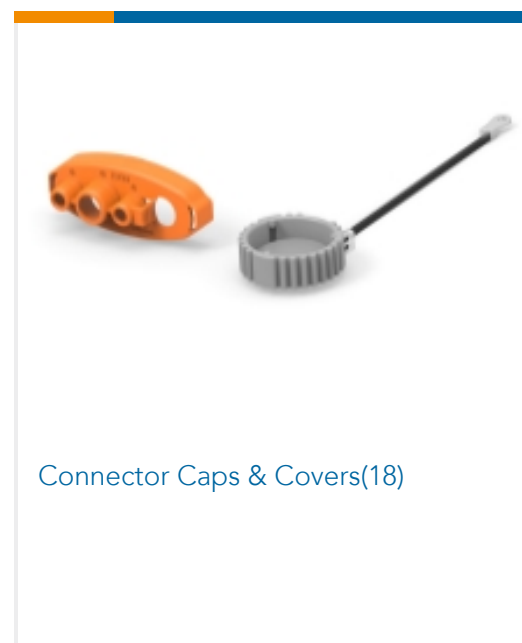
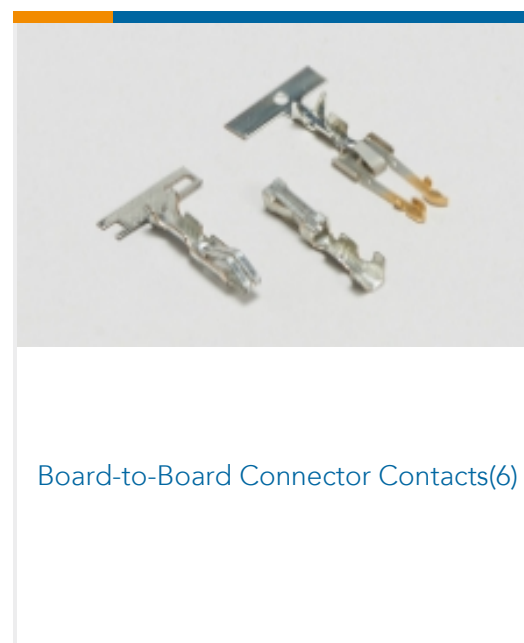
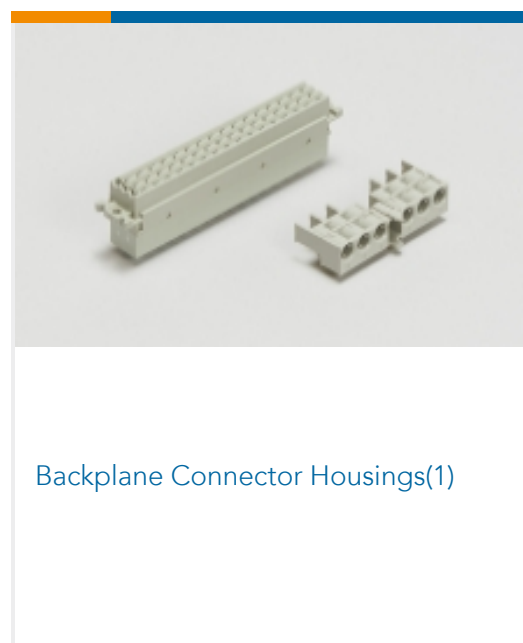
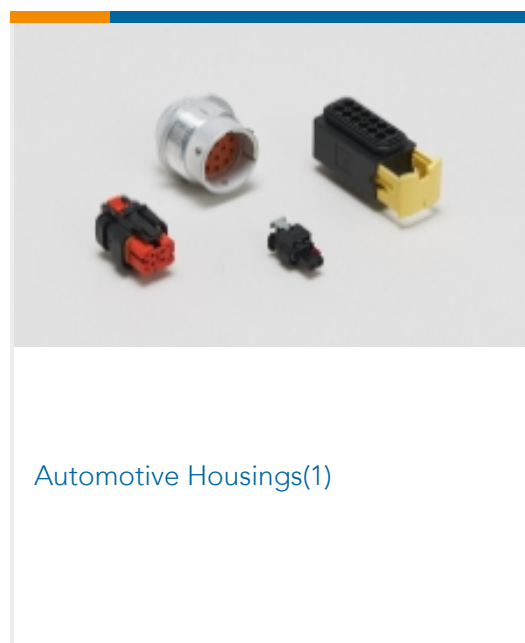
TE Part # 166309-2
MOD-5 REC.CONTACT

TE Part # 167024-1
MOD-4 REC.CONT.SCP.

TE Part # 1-825437-2
MOD 2 PINHDR 1X12P.

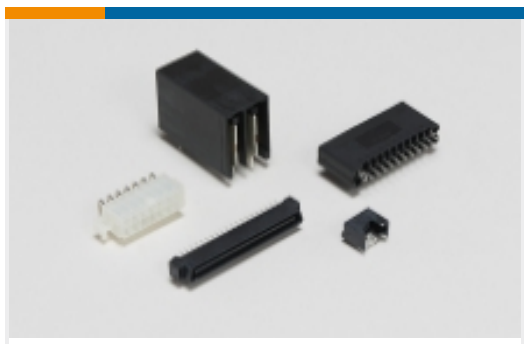


Also in the Series | AMPMODU IV/V





Rectangular Connector Housings(5)



Standard Rectangular Connectors(8)



Wire-to-Board Connector Assemblies & Housings(445)



Wire-to-Board Connector Contacts (317)

Customers Also Bought



TE Part #7-1393211-1
T92P7D22-24



TE Part #1-1623728-6
BCHE 11 W 330R 5%



TE Part #1623404-1
CRG1206 1% 10K



TE Part #1623819-4
SBL4 R015 5%



TE Part #1-1623819-4
SBL4 R051 5%



TE Part #170073-5
PIN WITH LANCE .093 REC 24-20 PRE-TPBR



TE Part #9-1768019-8
ESSW18-052

Documents

CAD Files

3D PDF

3D

Customer View Model

[ENG_CVM_CVM_1-925369-2_Y.2d_dxf.zip](#)

English

Customer View Model

[ENG_CVM_CVM_1-925369-2_Y.3d_igs.zip](#)

English

Customer View Model

[ENG_CVM_CVM_1-925369-2_Y.3d_stp.zip](#)

English

By downloading the CAD file I accept and agree to the [Terms and Conditions](#) of use.

Product Specifications

[Application Specification](#)

English



[Agency Approvals](#)

[UL Report](#)

English