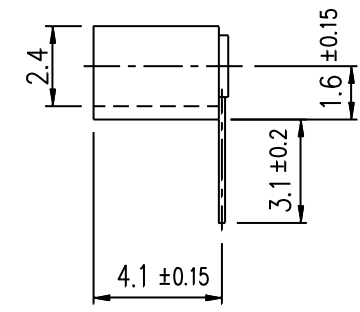
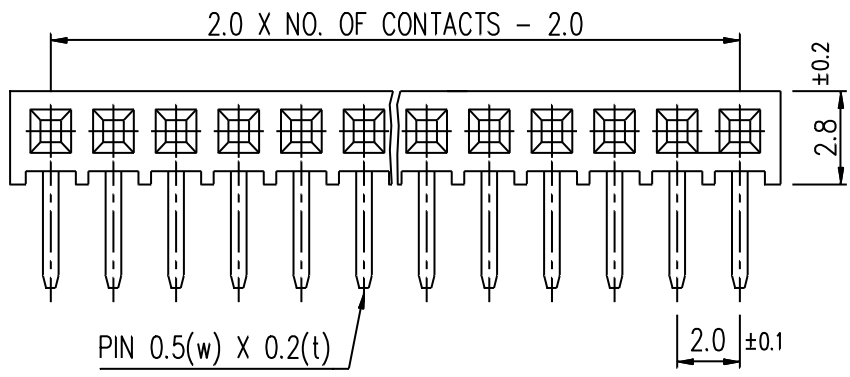
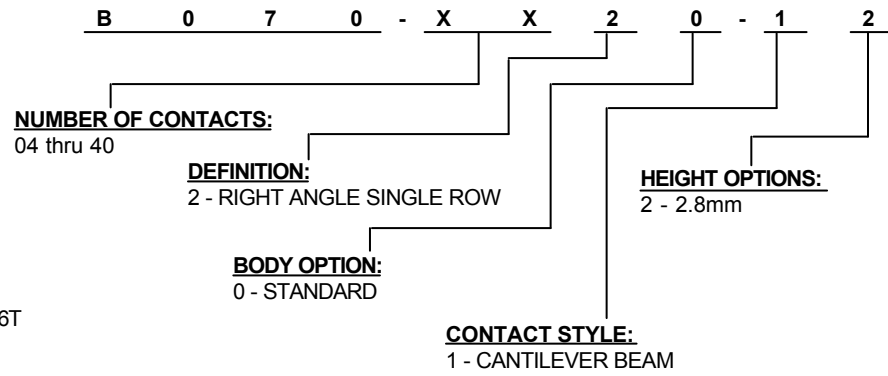


P.C.B LAYOUT



HOW TO ORDER:



ELECTRICAL:

CURRENT: 1.5A
 CONTACT RESISTANCE: 20mΩ Max.
 INSULATOR RESISTANCE: 5000MΩ Min.
 DIELECTRIC WITHSTANDING VOLTAGE: 500VAC FOR 1 MIN.
 OPERATING TEMPERATURE: -40° C TO +105° C

MATERIAL:

INSULATOR: GLASS FILLED POLYESTER (UL94V-0) ; NYLON 6T
 CONTACT: COPPER ALLOY

PLATING OVERALL:

- 0 - FULL TIN
- 1 - FULL Au
- 3 - 10u" Au
- 4 - 15u" Au
- 5 - 30u" Au

RoHS COMPLIANT

SELECTIVE PLATING:

- 6 - Au CONTACT AREA/TIN TAIL
- 7 - 10u" Au CONTACT AREA/TIN TAIL
- 8 - 15u" Au CONTACT AREA/TIN TAIL
- 9 - 30u" Au CONTACT AREA/TIN TAIL

Rev	Drawn	Checked	Approved	Date
0	A.M.	S.M.	S.M.	07/23/03
A	B.S.	S.M.	S.M.	2/22/07

SMP TECHNOLOGY, INC.

Receptacle Assembly, 2.00mm Pitch, Single Row, Right Angle

Cantilever Beam Contact

SCALE:n/a

TOL. DEC. .X +/- 0.35 .XX +/- 0.25 .XXX +/- 0.15 ANGLE +/- 5° UNIT: mm

SERIES: B070

Pg: 1