

DWG. NO. SD-53022-***10

E

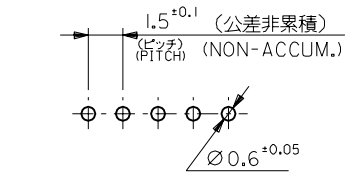
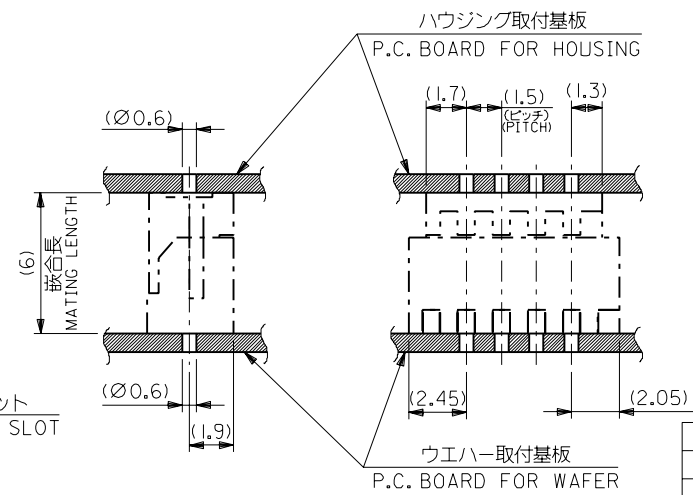
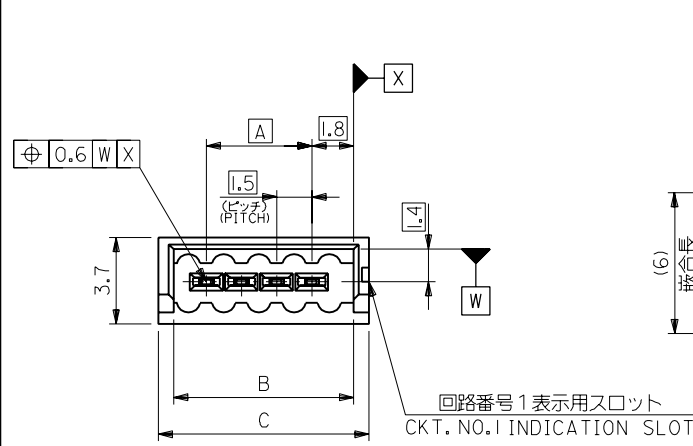
D

C

B

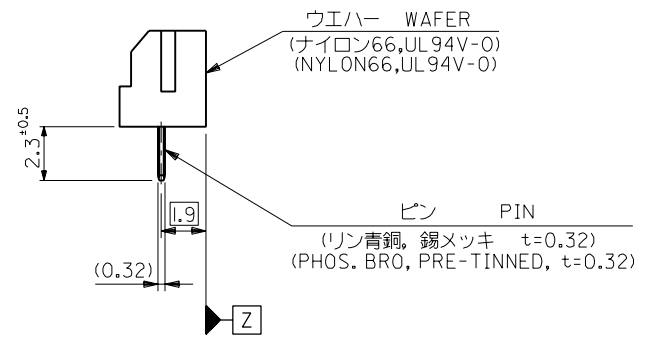
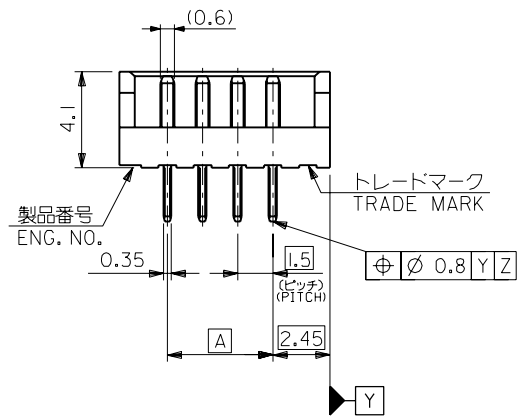
A

MM DIMENSIONS IN METRIC DO NOT SCALE DRAWING



基板取付穴推奨寸法
RECOMMENDED P.C. BOARD HOLE DIM.

基板取付推奨レイアウト
RECOMMENDED P.C. BOARD LAYOUT



| | | | | |
|------|------|------|------------|------------|
| 33 | 31.7 | 28.5 | 53022-2010 | 20 |
| 31.5 | 30.2 | 27 | -1910 | 19 |
| 30 | 28.7 | 25.5 | -1810 | 18 |
| 28.5 | 27.2 | 24 | -1710 | 17 |
| 27 | 25.7 | 22.5 | -1610 | 16 |
| 25.5 | 24.2 | 21 | -1510 | 15 |
| 24 | 22.7 | 19.5 | -1410 | 14 |
| 22.5 | 21.2 | 18 | -1310 | 13 |
| 21 | 19.7 | 16.5 | -1210 | 12 |
| 19.5 | 18.2 | 15 | -1110 | 11 |
| 18 | 16.7 | 13.5 | -1010 | 10 |
| 16.5 | 15.2 | 12 | -0910 | 9 |
| 15 | 13.7 | 10.5 | -0810 | 8 |
| 13.5 | 12.2 | 9 | -0710 | 7 |
| 12 | 10.7 | 7.5 | -0610 | 6 |
| 10.5 | 9.2 | 6 | -0510 | 5 |
| 9 | 7.7 | 4.5 | -0410 | 4 |
| 7.5 | 6.2 | 3 | -0310 | 3 |
| 6 | 4.7 | 1.5 | 53022-0210 | 2 |
| C | B | A | ENG. NO. | 種数 CKT. |

注記
NOTES

1. 嵌合相手 : 52024-***10
MATE WITH : 52024-***10

| | | | | | | | | | | |
|----------------------------|-------|-----------|-------------------------|-----|------------|----------|----------|----------|-----------------------------------|------------------------------------|
| 角度 ANGLE | ±3° | | | | | | | | 材料 MATERIAL | ☑中参照 SEE DRAWING |
| 30以上 OVER | +0.3 | | | | | | | | 仕上げ FINISH | // |
| 10以上 OVER | +0.25 | | | | | | | | 適用電線範囲 WIRE RANGE | // |
| 10未満 UNDER | +0.2 | | | | | | | | 被覆外径 INS. RANGE | // |
| 一般公差 GENERAL TOLERANCES | | 記号 LTR | 変更内容 REVISION RECORD | DR. | 日付 DATE | DR. CHK. | DR. DATE | DR. DATE | DRAWN BY '95/09/20 S.MATSUZAKI | CHK'D BY '95/09/20 Y.M.HIRAMOTO |
| | | | | | | | | | APP'D BY '95/09/20 M.FUKUSHIMA | 尺度 SCALE 5:1 |

molex MOLEX-JAPAN CO.,LTD.
日本モレックス株式会社

REVISE ONLY ON CAD SYSTEM

TITLE 名称
1.5 BOARD TO BOARD
CONN. WAFER ASS'Y

DWG. NO. SD-53022-***10

REV C