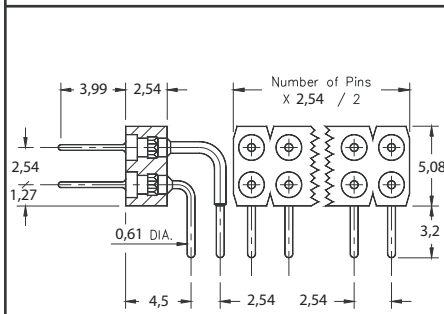


**Fig. 1**

- Series 4XX sockets are available with straight and right angle solder tails.
- Series 450 & 499...009 use MM# 3404 & 5011/5113 pins respectively. (See pages 170 & 172 for details)
- Series 410 & 499...003 use MM# 1001 & 1103/1602 pins respectively. (See pages 134-136 for details)
- Hi-Temp thermoplastic insulator available upon request.

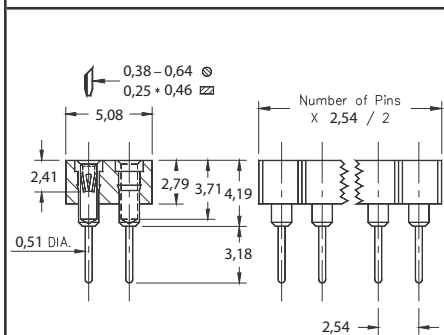


**Ordering Information**



**Fig. 2**

<b>Fig. 1</b>	<b>Series 450...006</b>	<b>Straight Pin Header</b>
	450-XX-2__-00-006000 Specify # of pins → 02-64	
<b>Fig. 2</b>	<b>Series 499...009</b>	<b>Right Angle Pin Header</b>
	499-XX-2__-10-009000 Specify # of pins → 02-64	



**Fig. 3**



**XX= Plating Code**  
See Below

For RoHS compliance, select **◇** plating code.  
For the gold option (XX=10) also change part number from 4XX-XX-2XX-XX-00X000 to 4XX-10-2XX-XX-00X100

SPECIFY PLATING CODE XX=	<b>10◇</b>	<b>90</b>	<b>40◇</b>	
Pin Plating	0,25µm Au	5,08µm Sn/Pb	5,08µm Sn	

<b>Fig. 3</b>	<b>Series 410...001</b>	<b>Straight Socket</b>
	410-XX-2__-41-001000 Specify # of pins → 02-64	
<b>Fig. 4</b>	<b>Series 499...003</b>	<b>Right Angle Socket</b>
	499-XX-2__-10-003000 Specify # of pins → 02-64	



**XX= Plating Code**  
See Below

For RoHS compliance, select **◇** plating code.  
For the all gold option (XX=13) also change part number from 4XX-XX-2XX-XX-00X000 to 4XX-13-2XX-XX-00X100

SPECIFY PLATING CODE XX=	<b>13◇</b>	<b>93</b>	<b>43◇</b>	
Sleeve (Pin)	0,25µm Au	5,08µm Sn/Pb	5,08µm Sn	
Contact (Clip)	0,76µm Au	0,76µm Au	0,76µm Au	