

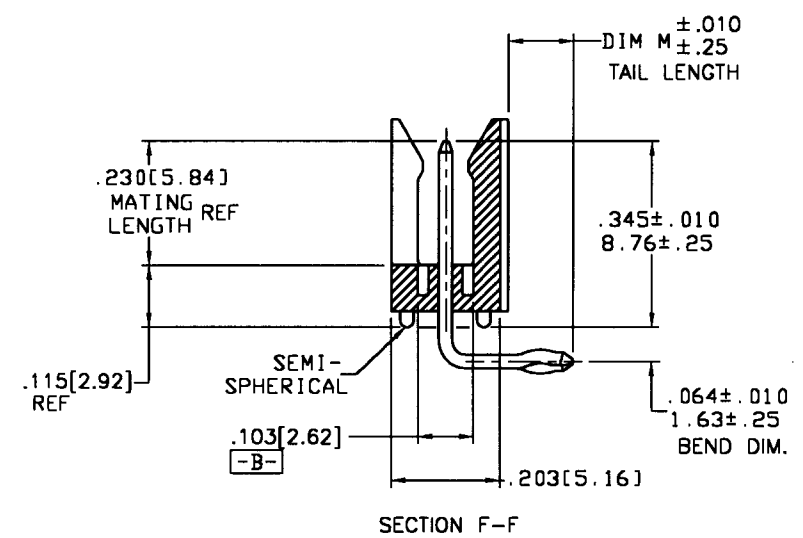
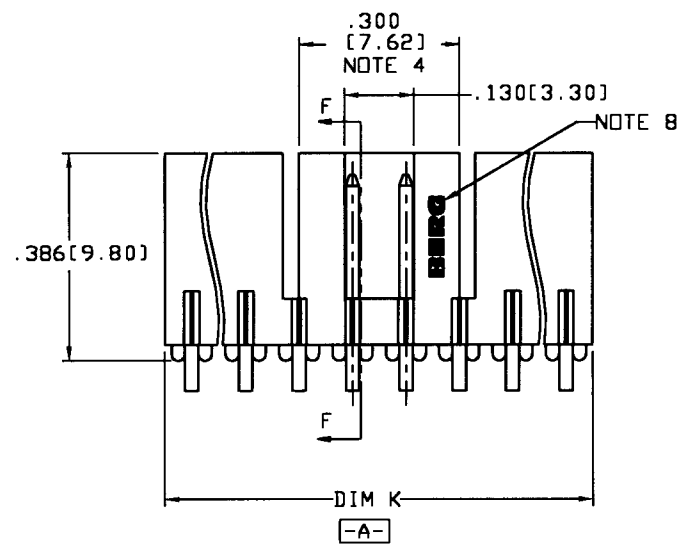
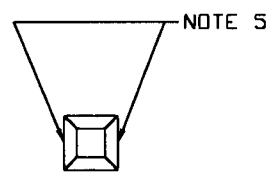
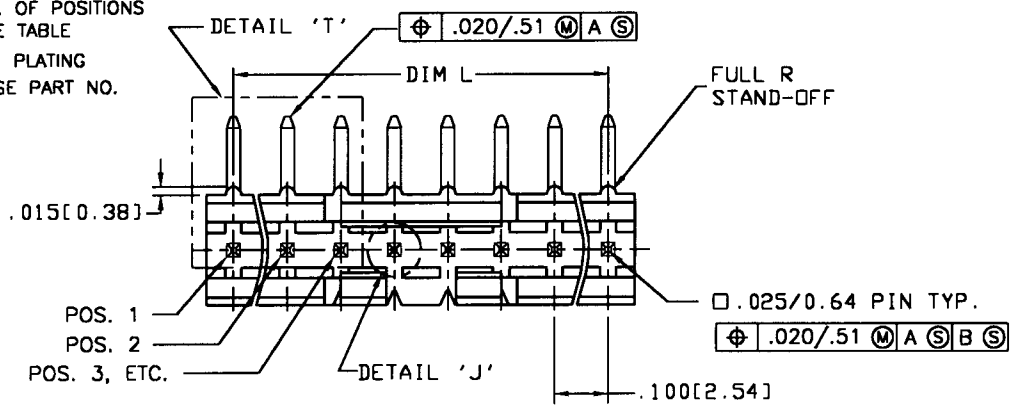
Tous droits strictement réservés. Reproduction ou communication à des tiers interdite sous quelque forme que ce soit sans autorisation écrite du propriétaire. Propriété de ©BERG ELECTRONICS. Droits de reproduction BERG ELECTRONICS INC.

All rights strictly reserved. Reproduction or issue to third parties in any form whatever is not permitted without written authority from the proprietor. Property of ©BERG ELECTRONICS Copyright BERG ELECTRONICS INC.



PRODUCT NO.
87317-XXX

NO. OF POSITIONS
SEE TABLE
PIN PLATING
BASE PART NO.



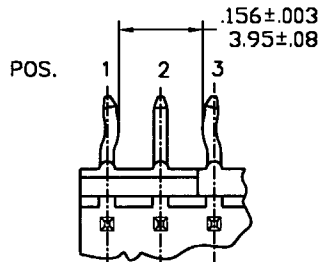
mat'l. code				tolerances unless otherwise specified		CUSTOMER COPY		BERG ELECTRONICS	
ltr	ecn no	dr	date	linear	.XX $\pm .01 / .X \pm .3$	projection	title		
A	V70443	SAR	6/4/97		.XXX $\pm .005 / .XX \pm .13$	$\text{Ⓢ} \text{Ⓢ}$	FRICION LATCH HEADER SINGLE ROW, R/A, RET.		
B	V71186	HTB	9/16/97		.XXXX $\pm .0020 / .XXX \pm .051$		product family HEADERS		
C	V71470	HTB	10/9/97	angles	$0^\circ \pm 2'$	INCH/MM	size	dwg no	code
				dr	S.ROYER 6/4/97	scale	A	87317	-
				enr	L.FYE 6/4/97	1:1			sheet
				chr	L.FYE 6/4/97				1 of 2
				appd	L.FYE 6/4/97				
sheet index	revision sheet	C	C						
		1	2						

Tous droits strictement réservés. Reproduction ou communication a des tiers interdite sous quelque forme que ce soit sans autorisation écrite du propriétaire.
 Property of ©BERG ELECTRONICS. Droits de reproduction BERG ELECTRONICS INC.

All rights strictly reserved. Reproduction or issue to third parties in any form whatever is not permitted without written authority from the proprietor.
 Property of ©BERG ELECTRONICS Copyright BERG ELECTRONICS INC.



PRODUCT NO.	NO. OF POS.	DIM K	DIM L	TAIL LENGTH DIM M	RETENTION LEG	DASH NO.	OVERPLATING	UNDERPLATING
87317 -X03	1 X 3	.300/7.62	.200/5.08	.120/3.05	NOTE 6	-1YY	30u"/0.76u MIN Au	50u"/1.27u MIN Ni
-X04	1 X 4	.400/10.16	.300/7.62		NOTE 7	-2YY	15u"/0.38u MIN Au	50u"/1.27u MIN Ni
-X05	1 X 5	.500/12.70	.400/10.16			-3YY	50u"/1.27u MIN Au	50u"/1.27u MIN Ni
-X06	1 X 6	.600/15.24	.500/12.70			-4YY	120u"/3.05u MIN 93/7 SnPb	50u"/1.27u MIN Ni
-X07	1 X 7	.700/17.78	.600/15.24			-5YY	15u"/0.38u GXT™	50u"/1.27u MIN Ni
-X08	1 X 8	.800/20.32	.700/17.78			-6YY	30u"/0.76u GXT™	50u"/1.27u MIN Ni
-X09	1 X 9	.900/22.86	.800/20.32					
-X10	1 X 10	1.000/25.40	.900/22.86					
-X11	1 X 11	1.100/27.94	1.000/25.40					
-X12	1 X 12	1.200/30.48	1.100/27.94					
-X13	1 X 13	1.300/33.02	1.200/30.48					
-X14	1 X 14	1.400/35.56	1.300/33.02					
87317 -X15	1 X 15	1.500/38.10	1.400/35.56	.120/3.05	NOTE 7			



DETAIL 'T'
NOTE 6

NOTES:

- MOLDING MATERIAL: GLASS REINFORCED PCT, COLOR: BLACK
 FLAME RETARDANT PER UL 94V-0
 MAXIMUM OPERATING TEMPERATURE: 130° C
- PIN MATERIAL: 3/4/ HARD PHOS-BRONZE
- PIN PLATING: SEE PLATING TABLE
- NO SLOTS ON 1 X 5 POSITION OR SMALLER PRODUCT. THE CENTER KEY SLOT WILL BE ON ALL HEADERS REGARDLESS OF SIZE.
- TWO NON-CRITICAL SIDES OF PIN TIP NOT PLATED TYP BOTH ENDS.
- RETENTION LEGS POSITION 1 & 3. RETENTION FEATURE ROTATED 90° FROM THAT SHOWN.
- RETENTION LEGS ON 4 POS. NEAR CENTER OF PART AS SHOWN.
- COMPANY LOGO MAY APPEAR IN THIS AREA.

mat'l. code				tolerances unless otherwise specified				CUSTOMER COPY		BERG ELECTRONICS		
ltr	ecn no	dr	date	linear	.XX±.01/.X±.3			projection	title	FRICION LATCH HEADER		
c					.XXX±.005/.XX±.13					INCH/MM	product family HEADERS	code
					.XXX±.0020/.XXX±.051							
				angles	Ø ± Z'			scale	size	dwg no		
				dr	S. ROYER	6/4/97	1:1				A	87317
				enr	L. FYE	6/4/97						
				chr	L. FYE	6/4/97						
				appd	L. FYE	6/4/97						
sheet index	revision sheet											