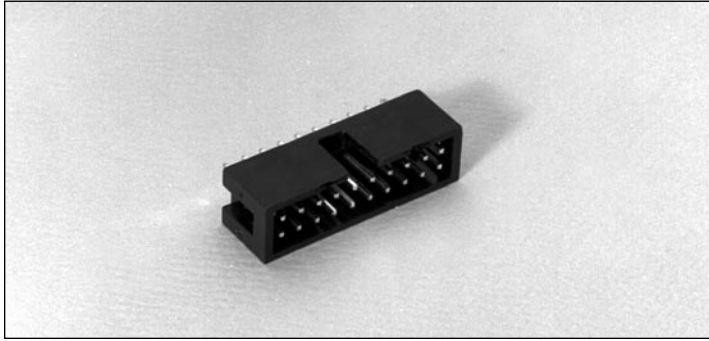


.100" (2.54mm) Dual Row, Through Hole, Vertical Polarizing Shrouded Header



9100 SERIES ("POST/BOXE")

PART NUMBER LEGEND

91XX-40-2XX-01

NUMBER OF POSITIONS
(SEE TABLE)

PIN PLATING
(SEE NOTE 2)

INSULATOR MATERIAL
(SEE NOTE 1)

MATING CONNECTORS: 9000 SERIES & 9300-6XX/7XX SERIES

NOTES:

1) MATERIALS

INSULATOR

9100-40-2XX-01: POLYESTER (PBT), 30% GLASS FILLED, UL94V-0

9110-40-2XX-01: POLYESTER (PCT), 30% GLASS FILLED, UL94V-0

PINS: PHOSPHOR BRONZE

2) PIN FINISH:

91X0-40-2XX-01: BRUTE TIN OVER NICKEL PLATE

91X8-40-2XX-01: .000050 NICKEL PLATE ALL OVER;

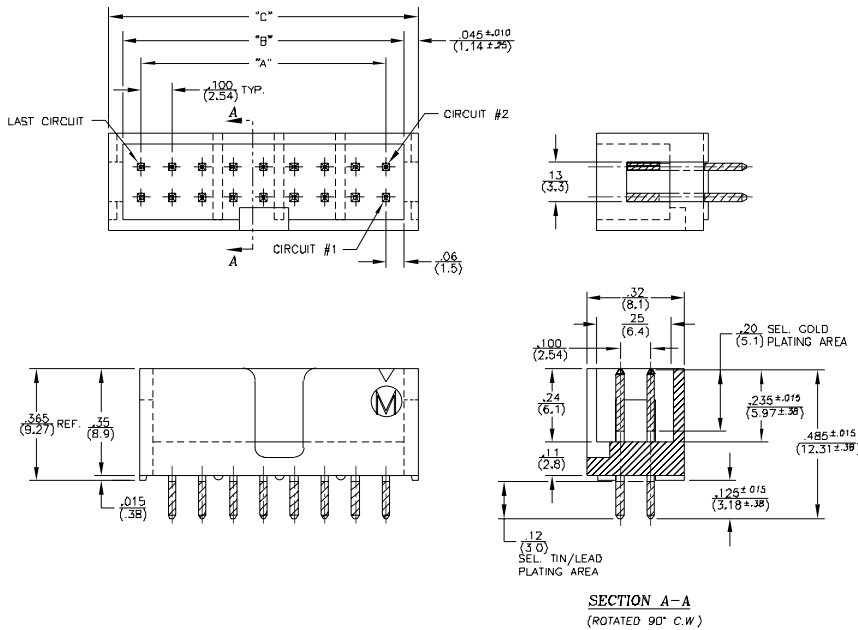
00D030 SEL. GOLD IN MATING AREA;

00D1-0002 SEL. TIN/LEAD ON SOLDER TAIL.

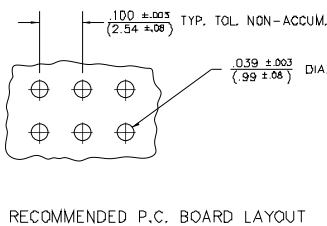
91XE-40-2XX-01: .000050 NICKEL PLATE ALL OVER;

00D015 SEL. GOLD IN MATING AREA;

00D1-0002 SEL. TIN/LEAD ON SOLDER TAIL.



SECTION A-A
(ROTATED 90° C.W.)



PART NUMBER	NO. OF POSITIONS	DIM "A"	DIM "B"	DIM "B"
91XX-40-202-01	4	.100 (2.54)	.220 (5.59)	.310 (7.87)
-203	6	.200 (5.08)	.320 (8.13)	.410 (10.41)
-204	8	.300 (7.62)	.420 (10.67)	.510 (12.95)
-205	10	.400 (10.16)	.520 (13.21)	.610 (15.49)
-206	12	.500 (12.70)	.620 (15.75)	.710 (18.03)
-207	14	.600 (15.24)	.720 (18.29)	.810 (20.57)
-208	16	.700 (17.78)	.820 (20.83)	.910 (23.11)
-209	18	.800 (20.32)	.920 (23.37)	1.010 (25.65)
-210	20	.900 (22.86)	1.020 (25.91)	1.110 (28.19)
-211	22	1.000 (25.40)	1.120 (28.45)	1.210 (30.73)
-212	24	1.100 (27.94)	1.220 (30.99)	1.310 (33.27)
-213	26	1.200 (30.48)	1.320 (33.53)	1.410 (35.81)
-214	28	1.300 (33.02)	1.420 (36.07)	1.510 (38.35)
-215	30	1.400 (35.56)	1.520 (38.61)	1.610 (40.89)
-216	32	1.500 (38.10)	1.620 (41.15)	1.710 (43.43)
-217	34	1.600 (40.64)	1.720 (43.69)	1.810 (45.97)
-218	36	1.700 (43.18)	1.820 (46.23)	1.910 (48.51)
-219	38	1.800 (45.72)	1.920 (48.77)	2.010 (51.05)
-220	40	1.900 (48.26)	2.020 (51.31)	2.110 (53.59)
91XX-40-221-01	42	2.000 (50.80)	2.120 (53.85)	2.210 (56.13)

PART NUMBER	NO. OF POSITIONS	DIM "A"	DIM "B"	DIM "B"
91XX-40-222-01	44	1.00 (2.54)	.220 (5.59)	.310 (7.87)
-223	46	2.200 (55.88)	2.320 (58.93)	2.410 (61.21)
-224	48	2.300 (58.42)	2.420 (61.47)	2.510 (63.75)
-225	50	2.400 (60.96)	2.520 (64.01)	2.610 (66.29)
-226	52	2.500 (63.50)	2.620 (66.55)	2.710 (68.83)
-227	54	2.600 (66.04)	2.720 (69.09)	2.810 (71.37)
-228	56	2.700 (68.58)	2.820 (71.63)	2.910 (73.91)
-229	58	2.800 (71.12)	2.920 (74.17)	3.010 (76.45)
-230	60	2.900 (73.66)	3.020 (76.71)	3.110 (78.99)
-231	62	3.000 (76.20)	3.120 (79.25)	3.210 (81.53)
-232	64	3.100 (78.74)	3.220 (81.79)	3.310 (84.07)
-233	66	3.200 (81.28)	3.320 (84.33)	3.410 (86.61)
-234	68	3.300 (83.82)	3.420 (86.87)	3.510 (89.15)
-235	70	3.400 (86.36)	3.520 (89.41)	3.610 (91.69)
-236	72	3.500 (88.90)	3.620 (91.95)	3.710 (94.23)
-237	74	3.600 (91.44)	3.720 (94.49)	3.810 (96.77)
-238	76	3.700 (93.98)	3.820 (96.75)	3.910 (99.31)
-239	78	3.800 (96.52)	3.920 (99.57)	4.010 (101.85)
91XX-40-240-01	80	3.900 (99.06)	4.020 (102.11)	4.110 (104.39)