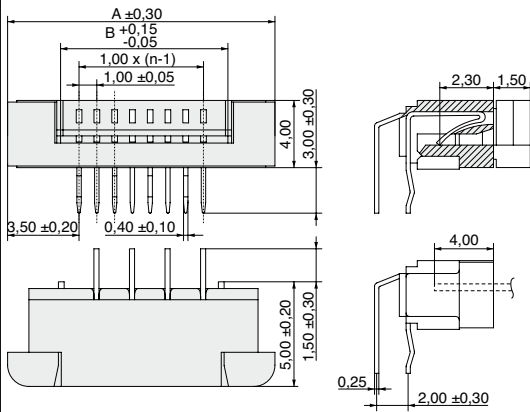


Rated current	1,0 A
Rated voltage	100 V _{RMS} / V _{DC}
Withstand voltage	500 V _{RMS} for 1 minute
Material contact	Phosphor bronze
Material insulator	High temp. thermoplast UL94V-0
Operating temperature	-20°C to +105°C
Max. processing temper.	260°C for 10 seconds

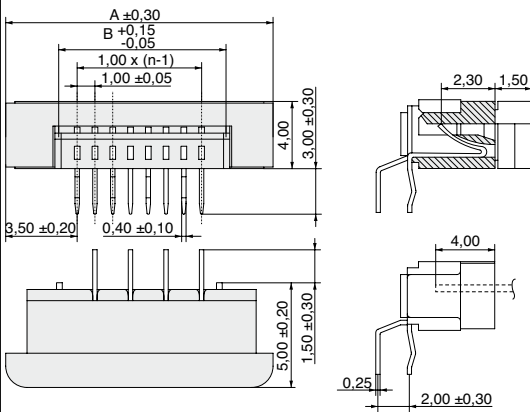
pitch	1,00
termination	
max. pincount	032

All dimensions in mm.

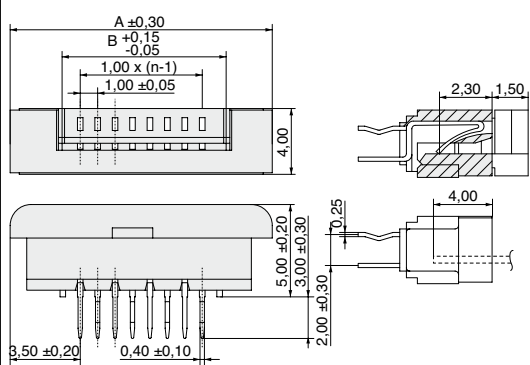
Variation



1

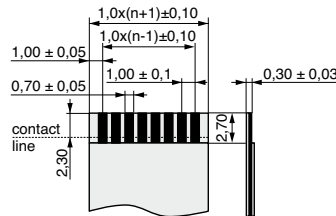


2

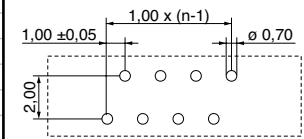
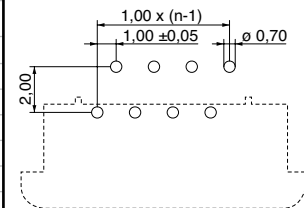
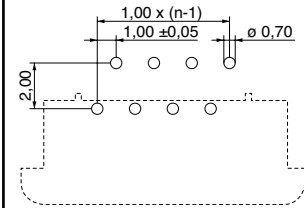


3

Cable specification

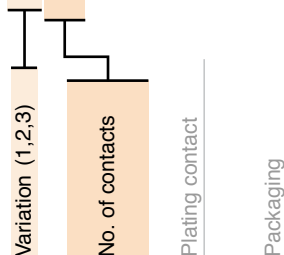


PCB Layout



no. of contacts	see figure left		available in variation
	A	B	
n			
004	10,00	5,20	1 2 3
005	11,00	6,20	1 2 3
006	12,00	7,20	1 2 3
007	13,00	8,20	1 2 3
008	14,00	9,20	1 2 3
009	15,00	10,20	1 2 3
010	16,00	11,20	1 2 3
011	17,00	12,20	1 2 3
012	18,00	13,20	1 2 3
013	19,00	14,20	1 2 3
014	20,00	15,20	1 2 3
015	21,00	16,20	1 2 3
016	22,00	17,20	1 2 3
017	23,00	18,20	1 2 3
018	24,00	19,20	1 2 3
019	25,00	20,20	1 2 3
020	26,00	21,20	1 2 3
021	27,00	22,20	1 2 3
022	28,00	23,20	1 2 3
023	29,00	24,20	1 2 3
024	30,00	25,20	1 2 3
025	31,00	26,20	1 2 3
026	32,00	27,20	1 2 3
027	33,00	28,20	1 2 3
028	34,00	29,20	1 2 3
029	35,00	30,20	1 2 3
030	36,00	31,20	1 2 3
031	37,00	32,20	1 2 3
032	38,00	33,20	1 2 3

Plating: T = Sn Packaging: T = Tube



Order code:

405-?-?-??-T-BT0

