

ULTRA LOW-NOISE, 250-mA LINEAR REGULATOR FOR RF AND ANALOG CIRCUITS - REQUIRES NO BYPASS CAPACITOR

Check for Samples: [LP5907](#)

FEATURES

- Stable with 1- μ F Ceramic Input and Output Capacitors
- No Noise Bypass Capacitor Required
- Remote Output Capacitor Placement
- Thermal-Overload and Short-Circuit Protection
- -40°C to $+125^{\circ}\text{C}$ Junction Temperature Range for Operation

APPLICATIONS

- Cellular Phones
- PDA Handsets
- Wireless LAN Devices

KEY SPECIFICATIONS

- Input Voltage Range: 2.2 V to 5.5 V
- Output Voltage Range: 1.2 V to 4.5 V
- Output Current: 250 mA
- Low Output Voltage Noise: $<10\ \mu\text{V}_{\text{RMS}}$
- PSRR: 82 dB at 1 kHz
- Output Voltage Tolerance: $\pm 2\%$
- Virtually Zero IQ (Disabled): $<1\ \mu\text{A}$
- Very Low IQ (Enabled): 12 μA
- Startup Time: 80 μs
- Low Dropout: 120 mV Typical

PACKAGES

- 4-Bump Ultra-Thin DSBGA:
0.35-mm Pitch, 0.65 mm x 0.65 mm x 0.40 mm
- 5-Pin SOT-23:
2.92 mm x 1.6 mm x 1 mm
- 4-Pin X2SON:
1 mm x 1mm x 0.37mm

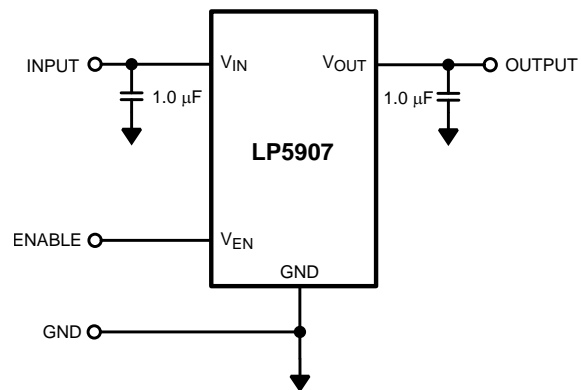
DESCRIPTION

The LP5907 is a linear regulator capable of supplying 250-mA output current. Designed to meet the requirements of RF and analog circuits, the LP5907 device provides low noise, high PSRR, low quiescent current, and low line or load transient response figures. Using new innovative design techniques, the LP5907 offers class-leading noise performance without a noise bypass capacitor and the ability for remote output capacitor placement.

The device is designed to work with a 1- μ F input and a 1- μ F output ceramic capacitor (no bypass capacitor is required).

The device is available in 4-bump ultra-thin DSBGA, 5-pin SOT-23, and 4-pin X2SON packages. This device is available between 1.2 V and 4.5 V in 25-mV steps. Contact Texas Instruments Sales for specific voltage option needs.

Typical Application Circuit



SVA-30180501

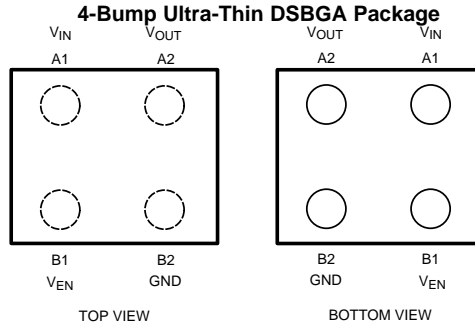


Please be aware that an important notice concerning availability, standard warranty, and use in critical applications of Texas Instruments semiconductor products and disclaimers thereto appears at the end of this data sheet.



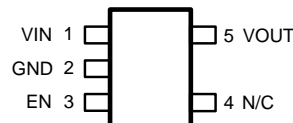
These devices have limited built-in ESD protection. The leads should be shorted together or the device placed in conductive foam during storage or handling to prevent electrostatic damage to the MOS gates.

CONNECTION DIAGRAMS



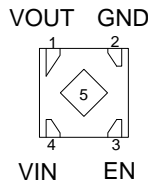
SVA-30180502

**5-Pin SOT-23 Package
(Top View)**



SVA-30180519

**4-pin X2SON Package
(Bottom View)**



PIN DESCRIPTIONS

| NAME | X2SON | DSBGA PIN NO. | SOT-23 PIN NO. | DESCRIPTION |
|-------------|-------|---------------|----------------|--|
| VIN | 4 | A1 | 1 | Input voltage supply. A 1- μ F capacitor should be connected at this input. |
| VOUT | 1 | A2 | 5 | Output voltage. A 1- μ F Low ESR capacitor should be connected to this pin. Connect this output to the load circuit. An internal 280- Ω discharge resistor prevents a charge remaining on VOUT when VEN is low. |
| VEN | N/A | B1 | N/A | Enable input; disables the regulator when ≤ 0.4 V. Enables the regulator when ≥ 1.2 V. An internal 1-M Ω pulldown resistor connects this input to ground. |
| EN | 3 | N/A | 3 | |
| GND | 2 | B2 | 2 | Common ground |
| N/C | N/A | N/A | 4 | No connect pin |
| Thermal Pad | 5 | N/A | N/A | Thermal pad for X2SON package, connect to GND or Floating. |

ABSOLUTE MAXIMUM RATINGS⁽¹⁾⁽²⁾⁽³⁾

over operating free-air temperature range (unless otherwise noted)

| | | MIN | MAX | UNIT |
|--|----------------------|-----------------------------------|-----|------|
| V _{IN} | Input voltage | -0.3 | 6 | V |
| V _{OUT} | Output voltage | -0.3 to (V _{IN} + 0.3 V) | | V |
| V _{EN} | Enable input voltage | -0.3 to (V _{IN} + 0.3 V) | | V |
| Continuous power dissipation ⁽³⁾ | | Internally Limited | | |
| Junction temperature (T _{JMAX}) | | | 150 | °C |
| Storage temperature range | | -65 | 150 | °C |
| Maximum lead temperature (soldering, 10 seconds) | | | 260 | °C |
| ESD rating ⁽⁴⁾ | Human body model | | 2 | kV |
| | Machine model | | 200 | V |

- (1) If Military or Aerospace specified devices are required, please contact the Texas Instruments Sales Office/ Distributors for availability and specifications.
- (2) Stresses beyond those listed under *absolute maximum ratings* may cause permanent damage to the device. These are stress ratings only, and functional operation of the device at these or any other conditions beyond those indicated under *recommended operating conditions* is not implied. Exposure to absolute-maximum-rated conditions for extended periods may affect device reliability.
- (3) Internal thermal shutdown circuitry protects the device from permanent damage.
- (4) The Human body model is a 100-pF capacitor discharged through a 1.5-kΩ resistor into each pin. The machine model is a 200-pF capacitor discharged directly into each pin. MIL-STD-883 3015.7

OPERATING RATINGS⁽¹⁾⁽²⁾

over operating free-air temperature range (unless otherwise noted)

| | | MIN | NOM | MAX | UNIT |
|---|--|------------------------------|-----|------|------|
| V _{IN} | Input voltage range | 2.2 | | 5.5 | V |
| V _{EN} | Enable voltage range | 0 to (V _{IN} + 0.3) | | 5.5 | V |
| Recommended load current ⁽³⁾ | | 0 | | 250 | mA |
| T _J | Junction temperature range | -40 | | +125 | °C |
| T _A | Ambient temperature range ⁽³⁾ | -40 | | +85 | °C |

- (1) Stresses beyond those listed under *absolute maximum ratings* may cause permanent damage to the device. These are stress ratings only, and functional operation of the device at these or any other conditions beyond those indicated under *recommended operating conditions* is not implied. Exposure to absolute-maximum-rated conditions for extended periods may affect device reliability.
- (2) All voltages are with respect to the potential at the GND pin.
- (3) In applications where high power dissipation and/or poor package thermal resistance is present, the maximum ambient temperature may have to be derated. Maximum ambient temperature (T_{A-MAX}) is dependent on the maximum operating junction temperature (T_{J-MAX-OP} = 125°C), the maximum power dissipation of the device in the application (P_{D-MAX}), and the junction-to ambient thermal resistance of the part/package in the application (θ_{JA}), as given by the following equation: T_{A-MAX} = T_{J-MAX-OP} - (θ_{JA} × P_{D-MAX}). See [APPLICATION INFORMATION](#).

THERMAL CHARACTERISTICS

over operating free-air temperature range (unless otherwise noted)

| PARAMETER | | TEST CONDITIONS | | MIN | TYP | MAX | UNIT |
|-----------------|---|----------------------------|--------|-----|-------|-------|------|
| θ _{JA} | Junction to ambient thermal resistance ⁽¹⁾ | JEDEC board ⁽²⁾ | DSBGA | | | 119.6 | °C/W |
| | | | SOT-23 | | | 188.8 | |
| | | | X2SON | | | 216.1 | |
| | | 4L cellphone board DSBGA | | | 186.5 | | |

- (1) Junction-to-ambient thermal resistance is highly application and board-layout dependent. In applications where high maximum power dissipation exists, special care must be paid to thermal dissipation issues in board design.
- (2) Detailed description of the board can be found in JESD51-7

ELECTRICAL CHARACTERISTICS⁽¹⁾⁽²⁾⁽³⁾

Limits in standard typeface are for $T_A = 25^\circ\text{C}$. Limits in boldface type apply over the full operating junction temperature range ($-40^\circ\text{C} \leq T_J \leq +125^\circ\text{C}$). Unless otherwise noted, specifications apply to LP5907 (all packages) Typical Application Circuit (pg. 1) with:

$$V_{IN} = V_{OUT(NOM)} + 1\text{ V}, V_{EN} = 1.2\text{ V}, C_{IN} = 1\ \mu\text{F}, C_{OUT} = 1\ \mu\text{F}, I_{OUT} = 1\text{ mA}.$$

| PARAMETER | | TEST CONDITIONS | MIN | TYP | MAX | UNIT |
|-------------------------------|---|--|---------------------------|-------|------------|---------------------|
| V_{IN} | Input voltage | | 2.2 | | 5.5 | V |
| ΔV_{OUT} | Output voltage tolerance | $V_{IN} = (V_{OUT(NOM)} + 1\text{ V})$ to 5.5 V, $I_{OUT} = 1\text{ mA}$ to 250 mA | -2 | | 2 | % |
| | | $V_{IN} = (V_{OUT(NOM)} + 1\text{ V})$ to 5.5 V, $I_{OUT} = 1\text{ mA}$ to 250 mA ($V_{OUT} < 1.8\text{V}$, SOT-23, X2SON packages) | -3 | | 3 | |
| | Line regulation | $V_{IN} = (V_{OUT(NOM)} + 1\text{ V})$ to 5.5 V, $I_{OUT} = 1\text{ mA}$ | | 0.02 | | %/V |
| | Load regulation | $I_{OUT} = 1\text{ mA}$ to 250 mA | | 0.001 | | %/mA |
| I_{LOAD} | Load current | See ⁽⁴⁾ | | | | mA |
| | Maximum output current | | 250 | | | |
| I_Q | Quiescent current ⁽⁵⁾ | $V_{EN} = 1.2\text{ V}, I_{OUT} = 0\text{ mA}$ | | 12 | 25 | μA |
| | | $V_{EN} = 1.2\text{ V}, I_{OUT} = 250\text{ mA}$ | | 250 | 425 | |
| | | $V_{EN} = 0.3\text{ V}$ (Disabled) | | 0.2 | 1 | |
| I_G | Ground current ⁽⁶⁾ | $I_{OUT} = 0\text{ mA}$ ($V_{EN} = 1.2\text{ V}$) | | 14 | | μA |
| V_{DO} | Dropout voltage ⁽⁷⁾ | $I_{OUT} = 100\text{ mA}$ | | 50 | | mV |
| | | $I_{OUT} = 250\text{ mA}$ (DSBGA) | | 120 | 200 | |
| | | $I_{OUT} = 250\text{ mA}$ (SOT-23, X2SON packages) | | | 250 | |
| I_{SC} | Short circuit current limit | See ⁽⁸⁾ | 250 | 500 | | mA |
| PSRR | Power supply rejection ratio ⁽⁹⁾ | $f = 100\text{ Hz}, I_{OUT} = 20\text{ mA}$ | | 90 | | dB |
| | | $f = 1\text{ kHz}, I_{OUT} = 20\text{ mA}$ | | 82 | | |
| | | $f = 10\text{ kHz}, I_{OUT} = 20\text{ mA}$ | | 65 | | |
| | | $f = 100\text{ kHz}, I_{OUT} = 20\text{ mA}$ | | 60 | | |
| e_N | Output noise voltage ⁽⁹⁾ | BW = 10 Hz to 100 kHz | $I_{OUT} = 1\text{ mA}$ | | 10 | μV_{RMS} |
| | | | $I_{OUT} = 250\text{ mA}$ | | 6.5 | |
| $T_{SHUTDOWN}$ | Thermal shutdown | Temperature | | 160 | | $^\circ\text{C}$ |
| | | Hysteresis | | 15 | | |
| LOGIC INPUT THRESHOLDS | | | | | | |
| V_{IL} | Low input threshold (V_{EN}) | $V_{IN} = 2.2\text{ V}$ to 5.5 V | | | 0.4 | V |
| V_{IH} | High input threshold (V_{EN}) | $V_{IN} = 2.2\text{ V}$ to 5.5 V | 1.2 | | | V |
| I_{EN} | Input current at V_{EN} Pin ⁽¹⁰⁾ | $V_{EN} = 5.5\text{ V}$ and $V_{IN} = 5.5\text{ V}$ | | 5.5 | | μA |
| | | $V_{EN} = 0\text{ V}$ and $V_{IN} = 5.5\text{ V}$ | | 0.001 | | |

- (1) All voltages are with respect to the potential at the GND pin.
- (2) Min and Max limits are ensured by design, test, or statistical analysis. Typical numbers are not verified, but do represent the most likely norm.
- (3) In applications where high power dissipation and/or poor package thermal resistance is present, the maximum ambient temperature may have to be derated. Maximum ambient temperature (T_{A-MAX}) is dependent on the maximum operating junction temperature ($T_{J-MAX-OP} = 125^\circ\text{C}$), the maximum power dissipation of the device in the application (P_{D-MAX}), and the junction-to ambient thermal resistance of the part/package in the application (θ_{JA}), as given by the following equation: $T_{A-MAX} = T_{J-MAX-OP} - (\theta_{JA} \times P_{D-MAX})$. See applications section.
- (4) The device maintains a stable, regulated output voltage without a load current.
- (5) Quiescent current is defined here as the difference in current between the input voltage source and the load at V_{OUT} .
- (6) Ground current is defined here as the total current flowing to ground as a result of all input voltages applied to the device.
- (7) Dropout voltage is the voltage difference between the input and the output at which the output voltage drops to 100 mV below its nominal value.
- (8) Short circuit current (I_{SC}) for the LP5907 is equivalent to current limit. To minimize thermal effects during testing, I_{SC} is measured with V_{OUT} pulled to 100 mV below its nominal voltage.
- (9) This specification is ensured by design.
- (10) There is a 1-M Ω resistor between V_{EN} and ground on the device.

ELECTRICAL CHARACTERISTICS⁽¹⁾⁽²⁾⁽³⁾ (continued)

Limits in standard typeface are for $T_A = 25^\circ\text{C}$. Limits in boldface type apply over the full operating junction temperature range ($-40^\circ\text{C} \leq T_J \leq +125^\circ\text{C}$). Unless otherwise noted, specifications apply to LP5907 (all packages) Typical Application Circuit (pg. 1) with:

$$V_{IN} = V_{OUT(NOM)} + 1\text{ V}, V_{EN} = 1.2\text{ V}, C_{IN} = 1\ \mu\text{F}, C_{OUT} = 1\ \mu\text{F}, I_{OUT} = 1\text{ mA}.$$

| PARAMETER | | TEST CONDITIONS | MIN | TYP | MAX | UNIT |
|--------------------------------------|--|--|------------|-----|-----------|---------------|
| TRANSIENT CHARACTERISTICS | | | | | | |
| ΔV_{OUT} | Line transient ⁽¹¹⁾ | $V_{IN} = (V_{OUT(NOM)} + 1\text{ V})$ to $(V_{OUT(NOM)} + 1.6\text{ V})$ in 30 μs , $I_{OUT} = 1\text{ mA}$ | -1 | | | mV |
| | | $V_{IN} = (V_{OUT(NOM)} + 1.6\text{ V})$ to $(V_{OUT(NOM)} + 1\text{ V})$ in 30 μs , $I_{OUT} = 1\text{ mA}$ | | | 1 | |
| | Load transient ⁽¹¹⁾ | $I_{OUT} = 1\text{ mA}$ to 250 mA in 10 μs | -40 | | | mV |
| | | $I_{OUT} = 250\text{ mA}$ to 1 mA in 10 μs | | | 40 | |
| Overshoot on startup ⁽¹¹⁾ | Stated as a percentage of nominal VOUT | | | | 5 | % |
| | Turn-on time | To 95% of $V_{OUT(NOM)}$ | | 80 | 150 | μs |

(11) This specification is ensured by design.

OUTPUT AND INPUT CAPACITORS

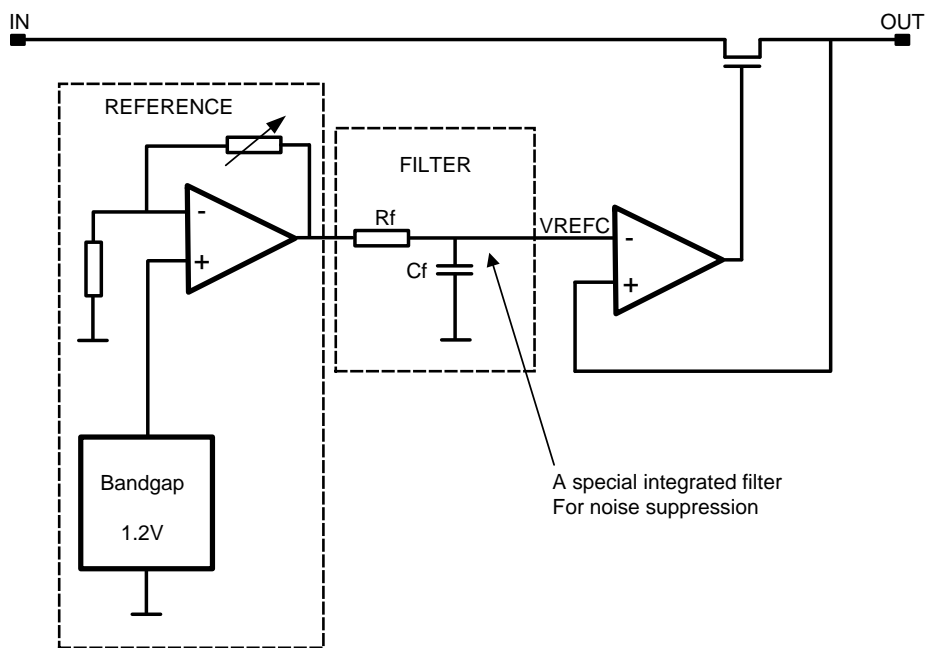
over operating free-air temperature range (unless otherwise noted)

| PARAMETER | | TEST CONDITIONS | MIN ⁽¹⁾ | TYP | MAX | UNIT |
|-----------|---|---------------------------|--------------------|-----|-----|------------------|
| C_{IN} | Input capacitance ⁽²⁾ | Capacitance for stability | 0.7 | 1 | | μF |
| C_{OUT} | Output capacitance ⁽²⁾ | | 0.7 | 1 | 10 | |
| ESR | Output/Input capacitance ⁽²⁾ | | 5 | | 500 | $\text{m}\Omega$ |

(1) Note: The minimum capacitance should be greater than 0.5 μF over the full range of operating conditions. The capacitor tolerance should be 30% or better over the full temperature range. The full range of operating conditions for the capacitor in the application should be considered during device selection to ensure this minimum capacitance specification is met. X7R capacitors are recommended however capacitor types X5R, Y5V and Z5U may be used with consideration of the application and conditions.

(2) This specification is verified by design.

BLOCK DIAGRAM



SVA-30180506

TYPICAL CHARACTERISTICS

Unless otherwise noted, these curves apply to the DSBGA package only, $V_{OUT} = 2.8\text{ V}$, $V_{IN} = 3.7\text{ V}$, $E_N = 1.2\text{ V}$, $C_{IN} = 1\text{ }\mu\text{F}$, $C_{OUT} = 1\text{ }\mu\text{F}$, $T_A = 25^\circ\text{C}$.

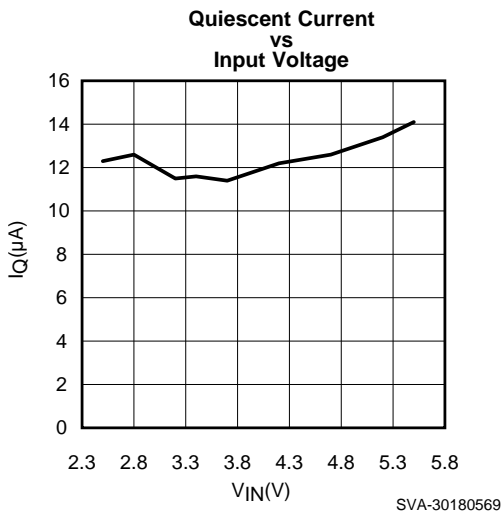


Figure 1.

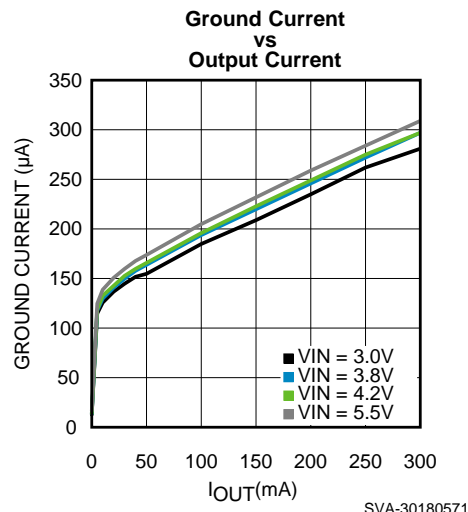


Figure 2.

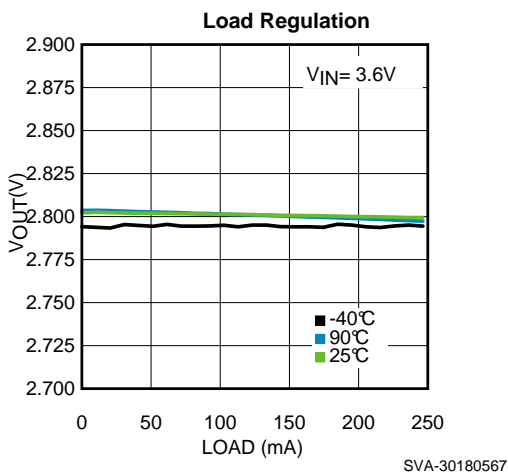


Figure 3.

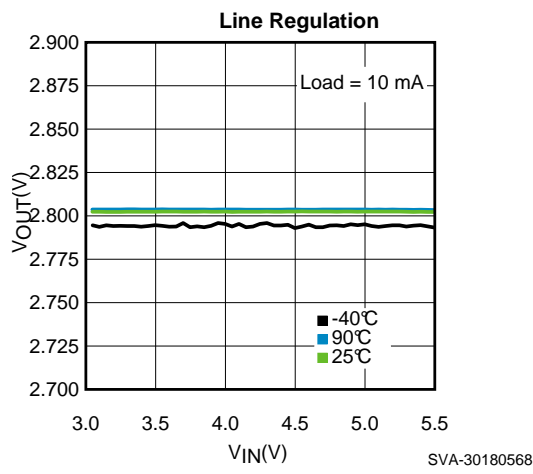


Figure 4.

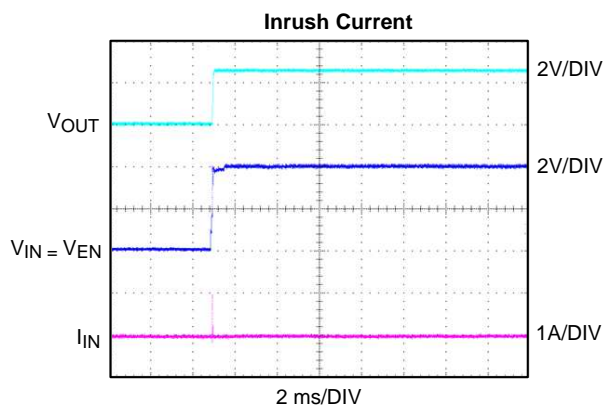


Figure 5.

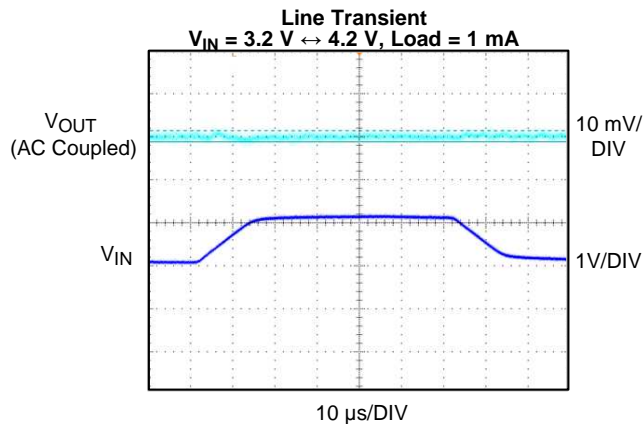


Figure 6.

TYPICAL CHARACTERISTICS (continued)

Unless otherwise noted, these curves apply to the DSBGA package only, $V_{OUT} = 2.8\text{ V}$, $V_{IN} = 3.7\text{ V}$, $E_N = 1.2\text{ V}$, $C_{IN} = 1\text{ }\mu\text{F}$, $C_{OUT} = 1\text{ }\mu\text{F}$, $T_A = 25^\circ\text{C}$.

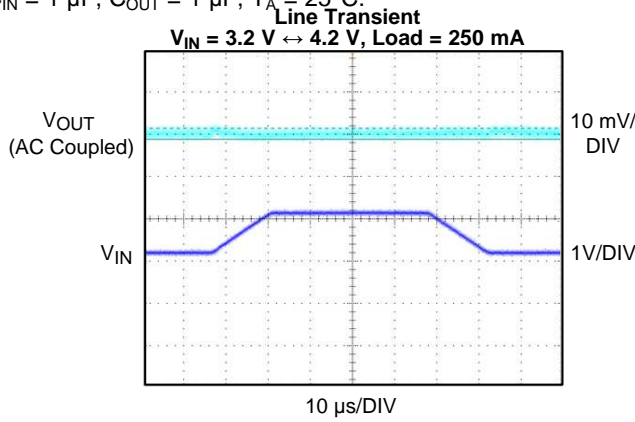


Figure 7.

SVA-30180511

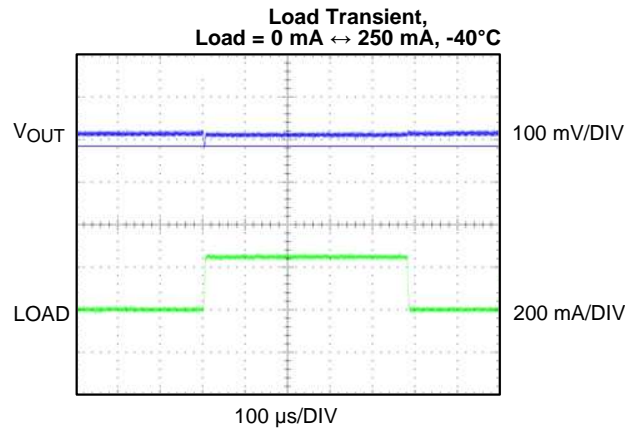


Figure 8.

SVA-30180512

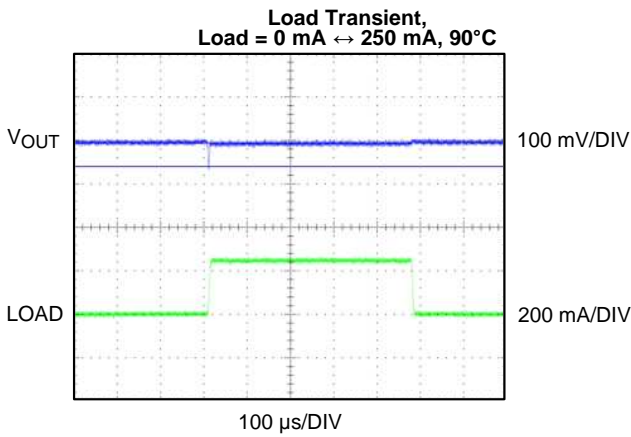


Figure 9.

SVA-30180513

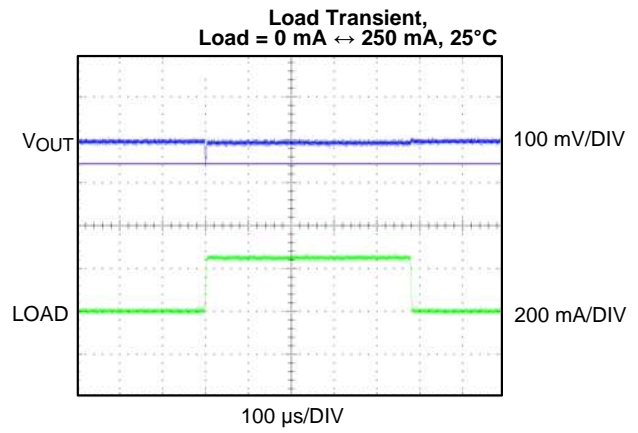


Figure 10.

SVA-30180514

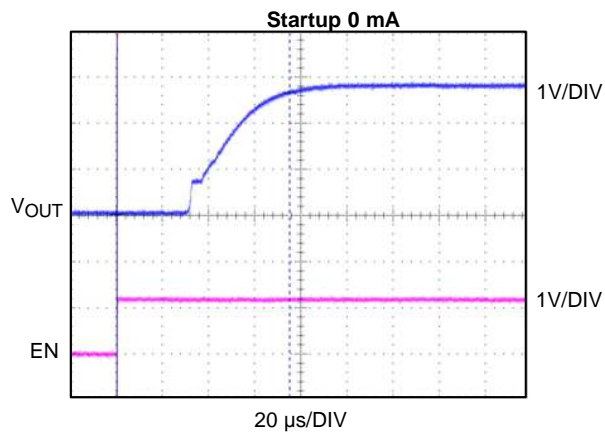


Figure 11.

SVA-30180515

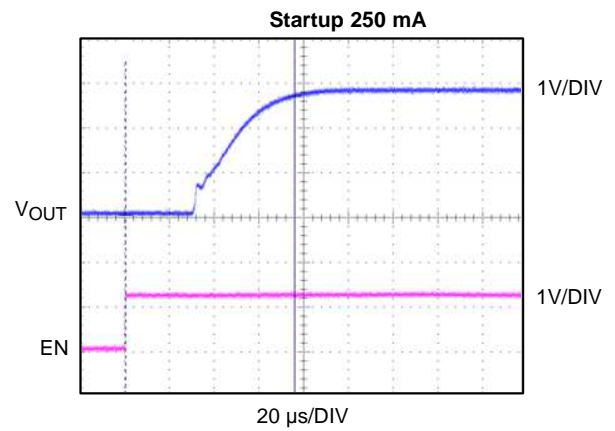


Figure 12.

SVA-30180516

TYPICAL CHARACTERISTICS (continued)

Unless otherwise noted, these curves apply to the DSBGA package only, $V_{OUT} = 2.8\text{ V}$, $V_{IN} = 3.7\text{ V}$, $E_N = 1.2\text{ V}$, $C_{IN} = 1\text{ }\mu\text{F}$, $C_{OUT} = 1\text{ }\mu\text{F}$, $T_A = 25^\circ\text{C}$.

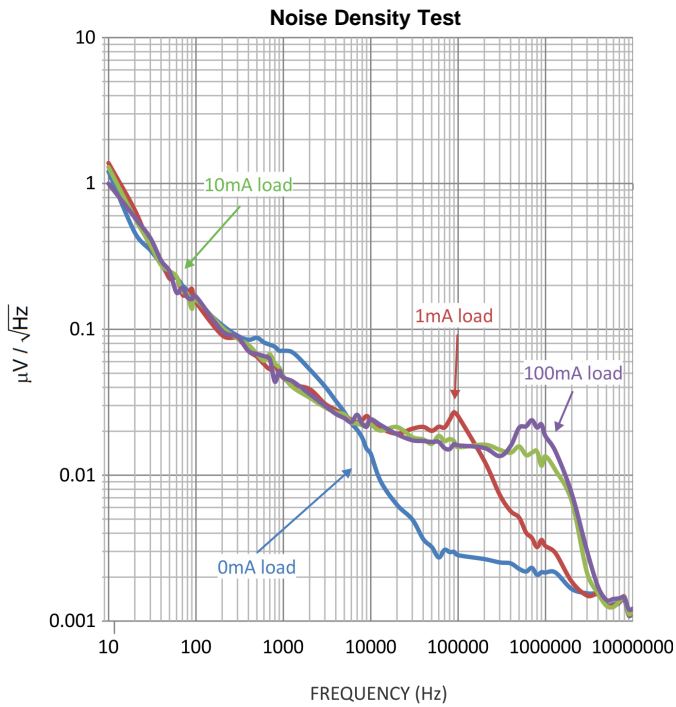
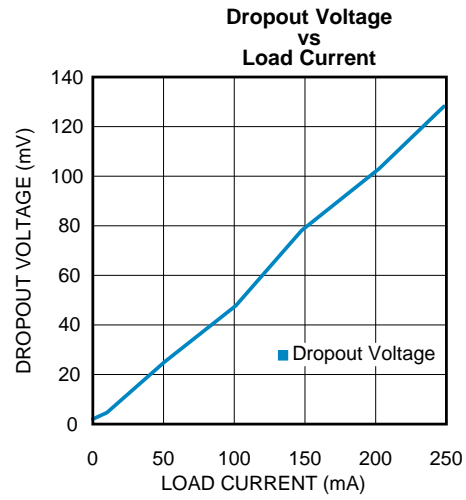
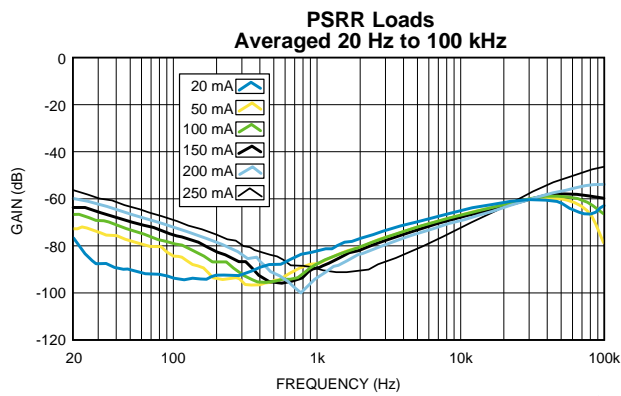


Figure 13.



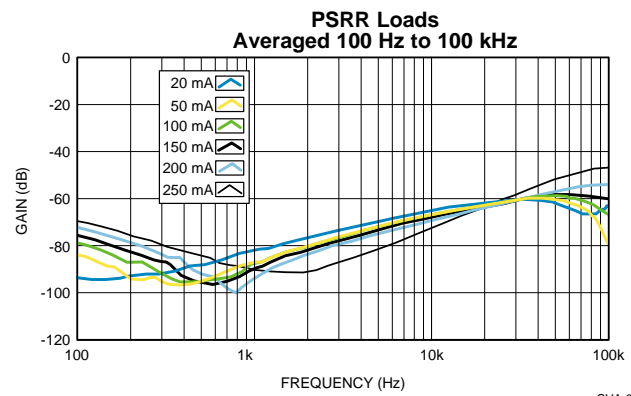
SVA-30180573

Figure 14.



SVA-30180507

Figure 15.



SVA-30180508

Figure 16.

APPLICATION INFORMATION

Power Dissipation and Device Operation

The permissible power dissipation for any package is a measure of the capability of the device to pass heat from the power source, the junctions of the IC, to the ultimate heat sink, the ambient environment. Thus the power dissipation is dependent on the ambient temperature and the thermal resistance across the various interfaces between the die and ambient air. As stated in Note (3) of the electrical characteristics, the allowable power dissipation for the device in a given package can be calculated using the equation:

$$P_D = \frac{(T_{JMAX} - T_A)}{\theta_{JA}} \quad (1)$$

The actual power dissipation across the device can be represented by the following equation:

$$P_D = (V_{IN} - V_{OUT}) \times I_{OUT} \quad (2)$$

This establishes the relationship between the power dissipation allowed due to thermal consideration, the voltage drop across the device, and the continuous current capability of the device. These two equations should be used to determine the optimum operating conditions for the device in the application.

External Capacitors

Like any low-dropout regulator, the LP5907 requires external capacitors for regulator stability. The LP5907 is specifically designed for portable applications requiring minimum board space and smallest components. These capacitors must be correctly selected for good performance.

Input Capacitor

An input capacitor is required for stability. The input capacitor should be at least equal to, or greater than, the output capacitor for good load transient performance. At least a 1- μ F capacitor has to be connected between the LP5907 input pin and ground for stable operation over full load current range. Basically, it is ok to have more output capacitance than input, as long as the input is at least 1 μ F.

This capacitor must be located a distance of not more than 1cm from the input pin and returned to a clean analog ground. Any good quality ceramic, tantalum, or film capacitor may be used at the input.

Important: To ensure stable operation it is essential that good PCB practices are employed to minimize ground impedance and keep input inductance low. If these conditions cannot be met, or if long leads are to be used to connect the battery or other power source to the LP5907, then it is recommended to increase the input capacitor to at least 10 μ F. Also, tantalum capacitors can suffer catastrophic failures due to surge current when connected to a low-impedance source of power (like a battery or a very large capacitor). If a tantalum capacitor is used at the input, it must be verified by the manufacturer to have a surge current rating sufficient for the application. There are no requirements for the ESR (Equivalent Series Resistance) on the input capacitor, but tolerance and temperature coefficient must be considered when selecting the capacitor to ensure the capacitance will remain 1 μ F \pm 30% over the entire operating temperature range.

Output Capacitor

The LP5907 is designed specifically to work with a very small ceramic output capacitor, typically 1 μ F. A ceramic capacitor (dielectric types X5R or X7R) in the 1 μ F to 10 μ F range, and with ESR between 5 m Ω to 500 m Ω , is suitable in the LP5907 application circuit. For this device the output capacitor should be connected between the V_{OUT} pin and a good ground connection.

It may also be possible to use tantalum or film capacitors at the device output, V_{OUT} , but these are not as attractive for reasons of size and cost (see [Capacitor Characteristics](#)).

The output capacitor must meet the requirement for the minimum value of capacitance and have an ESR value that is within the range 5 m Ω to 500 m Ω for stability.

Capacitor Characteristics

The LP5907 is designed to work with ceramic capacitors on the input and output to take advantage of the benefits they offer. For capacitance values in the range of 1 μF to 10 μF , ceramic capacitors are the smallest, least expensive and have the lowest ESR values, thus making them best for eliminating high frequency noise. The ESR of a typical 1- μF ceramic capacitor is in the range of 20 m Ω to 40 m Ω , which easily meets the ESR requirement for stability for the LP5907.

The temperature performance of ceramic capacitors varies by type and manufacturer. Most large value ceramic capacitors ($\geq 2.2 \mu\text{F}$) are manufactured with Z5U or Y5V temperature characteristics, which results in the capacitance dropping by more than 50% as the temperature goes from 25°C to 85°C.

A better choice for temperature coefficient in a ceramic capacitor is X7R. This type of capacitor is the most stable and holds the capacitance within $\pm 15\%$ over the temperature range. Tantalum capacitors are less desirable than ceramic for use as output capacitors because they are more expensive when comparing equivalent capacitance and voltage ratings in the 1 μF to 10 μF range.

Another important consideration is that tantalum capacitors have higher ESR values than equivalent size ceramics. This means that while it may be possible to find a tantalum capacitor with an ESR value within the stable range, it would have to be larger in capacitance (which means bigger and more costly) than a ceramic capacitor with the same ESR value. It should also be noted that the ESR of a typical tantalum will increase about 2:1 as the temperature goes from 25°C down to -40°C, so some guard band must be allowed.

Remote Capacitor Operation

The LP5907 requires at least a 1- μF capacitor at output pin, but there is no strict requirements about the location of the capacitor in regards the LDO output pin. In practical designs the output capacitor may be located some 5-10 cm away from the LDO. This means that there is no need to have a special capacitor close to the output pin if there is already respective capacitors in the system (like a capacitor at the input of supplied part). The remote capacitor feature helps user to minimize the number of capacitors in the system.

As a good design practice, it is good to keep the wiring parasitic inductance at a minimum, which means to use as wide as possible traces from the LDO output to the capacitors, keeping the LDO trace layer as close as possible to ground layer and avoiding vias on the path. If there is a need to use vias, implement as many as possible vias between the connection layers. The recommendation is to keep parasitic wiring inductance less than 35 nH. For the applications with fast load transients, it is recommended to use an input capacitor equal to or larger to the sum of the capacitance at the output node for the best load transient performance.

No-Load Stability

The LP5907 will remain stable and in regulation with no external load.

Enable Control

The LP5907 may be switched ON or OFF by a logic input at the ENABLE pin. A high voltage at this pin will turn the device on. When the enable pin is low, the regulator output is off and the device typically consumes 3 nA. However if the application does not require the shutdown feature, the V_{EN} pin can be tied to V_{IN} to keep the regulator output permanently on.

A 1-M Ω pulldown resistor ties the V_{EN} input to ground, this ensures that the device will remain off when the enable pin is left open circuit. To ensure proper operation, the signal source used to drive the V_{EN} input must be able to swing above and below the specified turn-on/off voltage thresholds listed in the [Electrical Characteristics](#) under V_{IL} and V_{IH} .

DSBGA Mounting

The DSBGA package requires specific mounting techniques, which are detailed in Texas Instruments Application Note AN-1112, [SNVA009](#).

For best results during assembly, alignment ordinals on the PC board may be used to facilitate placement of the DSBGA device.

DSBGA Light Sensitivity

Exposing the DSBGA device to direct light may cause incorrect operation of the device. Light sources such as halogen lamps can affect electrical performance if they are situated in proximity to the device.

Light with wavelengths in the red and infrared part of the spectrum have the most detrimental effect; thus, the fluorescent lighting used inside most buildings has very little effect on performance.

| Changes from Revision F (March 2013) to Revision G | Page |
|---|-------------|
| • Changed 0.36mm to 0.37mm | 1 |
| • Changed 200 mA to 250 mA | 4 |
| • Added X2SON | 4 |
| • Deleted Vout = 2.8V from Vdo test conditions | 4 |
| • Added DSBGA | 4 |
| • Added X2SON | 4 |
| • Changed 200 mA to 250 mA | 5 |
| • Changed 200 mA to 250 mA | 5 |

PACKAGING INFORMATION

| Orderable Device | Status (1) | Package Type | Package Drawing | Pins | Package Qty | Eco Plan (2) | Lead/Ball Finish | MSL Peak Temp (3) | Op Temp (°C) | Device Marking (4/5) | Samples |
|---------------------|---------------|--------------|-----------------|------|-------------|-------------------------|------------------|----------------------|--------------|-------------------------|-------------------------|
| LP5907MFX-1.2 | ACTIVE | | | | | TBD | Call TI | Call TI | -40 to 125 | | Samples |
| LP5907MFX-1.2/NOPB | ACTIVE | SOT-23 | DBV | 5 | 3000 | Green (RoHS & no Sb/Br) | CU SN | Level-1-260C-UNLIM | -40 to 125 | LLTB | Samples |
| LP5907MFX-1.8 | ACTIVE | | | 5 | | TBD | Call TI | Call TI | -40 to 125 | | Samples |
| LP5907MFX-1.8/NOPB | ACTIVE | SOT-23 | DBV | 5 | 3000 | Green (RoHS & no Sb/Br) | CU SN | Level-1-260C-UNLIM | -40 to 125 | LLUB | Samples |
| LP5907MFX-2.8/NOPB | ACTIVE | SOT-23 | DBV | 5 | 3000 | Green (RoHS & no Sb/Br) | CU SN | Level-1-260C-UNLIM | -40 to 125 | LLYB | Samples |
| LP5907MFX-2.85/NOPB | ACTIVE | SOT-23 | DBV | 5 | 3000 | Green (RoHS & no Sb/Br) | CU SN | Level-1-260C-UNLIM | -40 to 125 | LN4B | Samples |
| LP5907MFX-3.0/NOPB | ACTIVE | SOT-23 | DBV | 5 | 3000 | Green (RoHS & no Sb/Br) | CU SN | Level-1-260C-UNLIM | -40 to 125 | LLZB | Samples |
| LP5907MFX-3.1/NOPB | ACTIVE | SOT-23 | DBV | 5 | 3000 | Green (RoHS & no Sb/Br) | CU SN | Level-1-260C-UNLIM | -40 to 125 | LN5B | Samples |
| LP5907MFX-3.2/NOPB | ACTIVE | SOT-23 | DBV | 5 | 3000 | Green (RoHS & no Sb/Br) | CU SN | Level-1-260C-UNLIM | -40 to 125 | LN6B | Samples |
| LP5907MFX-3.3/NOPB | ACTIVE | SOT-23 | DBV | 5 | 3000 | Green (RoHS & no Sb/Br) | CU SN | Level-1-260C-UNLIM | -40 to 125 | LLVB | Samples |
| LP5907MFX-4.5/NOPB | ACTIVE | SOT-23 | DBV | 5 | 3000 | Green (RoHS & no Sb/Br) | CU SN | Level-1-260C-UNLIM | -40 to 125 | LLXB | Samples |
| LP5907SN-3.1/NOPB | PREVIEW | X2SON | DQN | 4 | | TBD | Call TI | Call TI | -40 to 125 | | |
| LP5907SN-4.5/NOPB | PREVIEW | X2SON | DQN | 4 | | TBD | Call TI | Call TI | -40 to 125 | | |
| LP5907SNE-1.2/NOPB | PREVIEW | X2SON | DQN | 4 | | TBD | Call TI | Call TI | -40 to 125 | | |
| LP5907SNE-2.8/NOPB | PREVIEW | X2SON | DQN | 4 | | TBD | Call TI | Call TI | -40 to 125 | | |
| LP5907SNE-2.85/NOPB | PREVIEW | X2SON | DQN | 4 | | TBD | Call TI | Call TI | -40 to 125 | | |
| LP5907SNE-3.1/NOPB | PREVIEW | X2SON | DQN | 4 | | TBD | Call TI | Call TI | -40 to 125 | | |
| LP5907SNE-4.5/NOPB | PREVIEW | X2SON | DQN | 4 | | TBD | Call TI | Call TI | -40 to 125 | | |
| LP5907SNX-1.2 | PREVIEW | X2SON | DQN | 4 | | TBD | Call TI | Call TI | -40 to 125 | | |
| LP5907SNX-1.2/NOPB | ACTIVE | X2SON | DQN | 4 | 3000 | Green (RoHS & no Sb/Br) | CU NIPDAU | Level-1-260C-UNLIM | -40 to 125 | CF | Samples |
| LP5907SNX-1.8 | PREVIEW | X2SON | DQN | 4 | | TBD | Call TI | Call TI | -40 to 125 | | |

| Orderable Device | Status (1) | Package Type | Package Drawing | Pins | Package Qty | Eco Plan (2) | Lead/Ball Finish | MSL Peak Temp (3) | Op Temp (°C) | Device Marking (4/5) | Samples |
|---------------------|---------------|--------------|-----------------|------|-------------|-------------------------|------------------|----------------------|--------------|-------------------------|-------------------------|
| LP5907SNX-1.8/NOPB | ACTIVE | X2SON | DQN | 4 | 3000 | Green (RoHS & no Sb/Br) | CU NIPDAU | Level-1-260C-UNLIM | -40 to 125 | CG | Samples |
| LP5907SNX-2.7 | PREVIEW | X2SON | DQN | 4 | | TBD | Call TI | Call TI | -40 to 125 | | |
| LP5907SNX-2.7/NOPB | ACTIVE | X2SON | DQN | 4 | 3000 | Green (RoHS & no Sb/Br) | CU NIPDAU | Level-1-260C-UNLIM | -40 to 125 | CH | Samples |
| LP5907SNX-2.8 | PREVIEW | X2SON | DQN | 4 | | TBD | Call TI | Call TI | -40 to 125 | | |
| LP5907SNX-2.8/NOPB | ACTIVE | X2SON | DQN | 4 | 3000 | Green (RoHS & no Sb/Br) | CU NIPDAU | Level-1-260C-UNLIM | -40 to 125 | CI | Samples |
| LP5907SNX-2.85 | PREVIEW | X2SON | DQN | 4 | | TBD | Call TI | Call TI | -40 to 125 | | |
| LP5907SNX-2.85/NOPB | ACTIVE | X2SON | DQN | 4 | 3000 | Green (RoHS & no Sb/Br) | CU NIPDAU | Level-1-260C-UNLIM | -40 to 125 | CJ | Samples |
| LP5907SNX-3.0 | PREVIEW | X2SON | DQN | 4 | | TBD | Call TI | Call TI | -40 to 125 | | |
| LP5907SNX-3.0/NOPB | ACTIVE | X2SON | DQN | 4 | 3000 | Green (RoHS & no Sb/Br) | CU NIPDAU | Level-1-260C-UNLIM | -40 to 125 | CK | Samples |
| LP5907SNX-3.1 | PREVIEW | X2SON | DQN | 4 | | TBD | Call TI | Call TI | -40 to 125 | | |
| LP5907SNX-3.1/NOPB | ACTIVE | X2SON | DQN | 4 | 3000 | Green (RoHS & no Sb/Br) | CU NIPDAU | Level-1-260C-UNLIM | -40 to 125 | CL | Samples |
| LP5907SNX-3.2 | PREVIEW | X2SON | DQN | 4 | | TBD | Call TI | Call TI | -40 to 125 | | |
| LP5907SNX-3.2/NOPB | ACTIVE | X2SON | DQN | 4 | 3000 | Green (RoHS & no Sb/Br) | CU NIPDAU | Level-1-260C-UNLIM | -40 to 125 | CM | Samples |
| LP5907SNX-3.3 | PREVIEW | X2SON | DQN | 4 | | TBD | Call TI | Call TI | -40 to 125 | | |
| LP5907SNX-3.3/NOPB | ACTIVE | X2SON | DQN | 4 | 3000 | Green (RoHS & no Sb/Br) | CU NIPDAU | Level-1-260C-UNLIM | -40 to 125 | CN | Samples |
| LP5907SNX-4.5 | PREVIEW | X2SON | DQN | 4 | | TBD | Call TI | Call TI | -40 to 125 | | |
| LP5907SNX-4.5/NOPB | ACTIVE | X2SON | DQN | 4 | 3000 | Green (RoHS & no Sb/Br) | CU NIPDAU | Level-1-260C-UNLIM | -40 to 125 | CO | Samples |
| LP5907UVE-1.2/NOPB | ACTIVE | DSBGA | YKE | 4 | 250 | Green (RoHS & no Sb/Br) | SNAGCU | Level-1-260C-UNLIM | -40 to 125 | R | Samples |
| LP5907UVE-1.8/NOPB | ACTIVE | DSBGA | YKE | 4 | 250 | Green (RoHS & no Sb/Br) | SNAGCU | Level-1-260C-UNLIM | -40 to 125 | S | Samples |
| LP5907UVE-2.8/NOPB | ACTIVE | DSBGA | YKE | 4 | 250 | Green (RoHS & no Sb/Br) | SNAGCU | Level-1-260C-UNLIM | -40 to 125 | U | Samples |
| LP5907UVE-2.85/NOPB | ACTIVE | DSBGA | YKE | 4 | 250 | TBD | Call TI | Call TI | -40 to 125 | V | Samples |

| Orderable Device | Status (1) | Package Type | Package Drawing | Pins | Package Qty | Eco Plan (2) | Lead/Ball Finish | MSL Peak Temp (3) | Op Temp (°C) | Device Marking (4/5) | Samples |
|---------------------|---------------|--------------|--------------------|------|----------------|----------------------------|------------------|----------------------|--------------|-------------------------|-------------------------|
| LP5907UVE-3.0/NOPB | ACTIVE | DSBGA | YKE | 4 | 250 | Green (RoHS & no Sb/Br) | SNAGCU | Level-1-260C-UNLIM | -40 to 125 | B | Samples |
| LP5907UVE-3.1/NOPB | ACTIVE | DSBGA | YKE | 4 | 250 | Green (RoHS & no Sb/Br) | SNAGCU | Level-1-260C-UNLIM | -40 to 125 | X | Samples |
| LP5907UVE-3.3/NOPB | ACTIVE | DSBGA | YKE | 4 | 250 | Green (RoHS & no Sb/Br) | SNAGCU | Level-1-260C-UNLIM | -40 to 125 | D | Samples |
| LP5907UVE-4.5/NOPB | ACTIVE | DSBGA | YKE | 4 | 250 | Green (RoHS & no Sb/Br) | SNAGCU | Level-1-260C-UNLIM | -40 to 125 | Z | Samples |
| LP5907UVX-1.2/NOPB | ACTIVE | DSBGA | YKE | 4 | 3000 | Green (RoHS & no Sb/Br) | SNAGCU | Level-1-260C-UNLIM | -40 to 125 | R | Samples |
| LP5907UVX-1.8/NOPB | ACTIVE | DSBGA | YKE | 4 | 3000 | Green (RoHS & no Sb/Br) | SNAGCU | Level-1-260C-UNLIM | -40 to 125 | S | Samples |
| LP5907UVX-2.8/NOPB | ACTIVE | DSBGA | YKE | 4 | 3000 | Green (RoHS & no Sb/Br) | SNAGCU | Level-1-260C-UNLIM | -40 to 125 | U | Samples |
| LP5907UVX-2.85/NOPB | ACTIVE | DSBGA | YKE | 4 | 3000 | Green (RoHS & no Sb/Br) | SNAGCU | Level-1-260C-UNLIM | -40 to 125 | V | Samples |
| LP5907UVX-3.0/NOPB | ACTIVE | DSBGA | YKE | 4 | 3000 | Green (RoHS & no Sb/Br) | SNAGCU | Level-1-260C-UNLIM | -40 to 125 | B | Samples |
| LP5907UVX-3.1/NOPB | ACTIVE | DSBGA | YKE | 4 | 3000 | Green (RoHS & no Sb/Br) | SNAGCU | Level-1-260C-UNLIM | -40 to 125 | X | Samples |
| LP5907UVX-3.3/NOPB | ACTIVE | DSBGA | YKE | 4 | 3000 | Green (RoHS & no Sb/Br) | SNAGCU | Level-1-260C-UNLIM | -40 to 125 | D | Samples |
| LP5907UVX-4.5/NOPB | ACTIVE | DSBGA | YKE | 4 | 3000 | Green (RoHS & no Sb/Br) | SNAGCU | Level-1-260C-UNLIM | -40 to 125 | Z | Samples |
| LP5907UVX19/NOPB | ACTIVE | DSBGA | YKE | 4 | 3000 | Green (RoHS & no Sb/Br) | SNAGCU | Level-1-260C-UNLIM | -40 to 125 | 8 | Samples |
| LP5907UVX37/NOPB | ACTIVE | DSBGA | YKE | 4 | 3000 | Green (RoHS & no Sb/Br) | SNAGCU | Level-1-260C-UNLIM | -40 to 125 | 9 | Samples |

(1) The marketing status values are defined as follows:

ACTIVE: Product device recommended for new designs.

LIFEBUY: TI has announced that the device will be discontinued, and a lifetime-buy period is in effect.

NRND: Not recommended for new designs. Device is in production to support existing customers, but TI does not recommend using this part in a new design.

PREVIEW: Device has been announced but is not in production. Samples may or may not be available.

OBSOLETE: TI has discontinued the production of the device.

⁽²⁾ Eco Plan - The planned eco-friendly classification: Pb-Free (RoHS), Pb-Free (RoHS Exempt), or Green (RoHS & no Sb/Br) - please check <http://www.ti.com/productcontent> for the latest availability information and additional product content details.

TBD: The Pb-Free/Green conversion plan has not been defined.

Pb-Free (RoHS): TI's terms "Lead-Free" or "Pb-Free" mean semiconductor products that are compatible with the current RoHS requirements for all 6 substances, including the requirement that lead not exceed 0.1% by weight in homogeneous materials. Where designed to be soldered at high temperatures, TI Pb-Free products are suitable for use in specified lead-free processes.

Pb-Free (RoHS Exempt): This component has a RoHS exemption for either 1) lead-based flip-chip solder bumps used between the die and package, or 2) lead-based die adhesive used between the die and leadframe. The component is otherwise considered Pb-Free (RoHS compatible) as defined above.

Green (RoHS & no Sb/Br): TI defines "Green" to mean Pb-Free (RoHS compatible), and free of Bromine (Br) and Antimony (Sb) based flame retardants (Br or Sb do not exceed 0.1% by weight in homogeneous material)

⁽³⁾ MSL, Peak Temp. -- The Moisture Sensitivity Level rating according to the JEDEC industry standard classifications, and peak solder temperature.

⁽⁴⁾ There may be additional marking, which relates to the logo, the lot trace code information, or the environmental category on the device.

⁽⁵⁾ Multiple Device Markings will be inside parentheses. Only one Device Marking contained in parentheses and separated by a "~" will appear on a device. If a line is indented then it is a continuation of the previous line and the two combined represent the entire Device Marking for that device.

Important Information and Disclaimer: The information provided on this page represents TI's knowledge and belief as of the date that it is provided. TI bases its knowledge and belief on information provided by third parties, and makes no representation or warranty as to the accuracy of such information. Efforts are underway to better integrate information from third parties. TI has taken and continues to take reasonable steps to provide representative and accurate information but may not have conducted destructive testing or chemical analysis on incoming materials and chemicals. TI and TI suppliers consider certain information to be proprietary, and thus CAS numbers and other limited information may not be available for release.

In no event shall TI's liability arising out of such information exceed the total purchase price of the TI part(s) at issue in this document sold by TI to Customer on an annual basis.

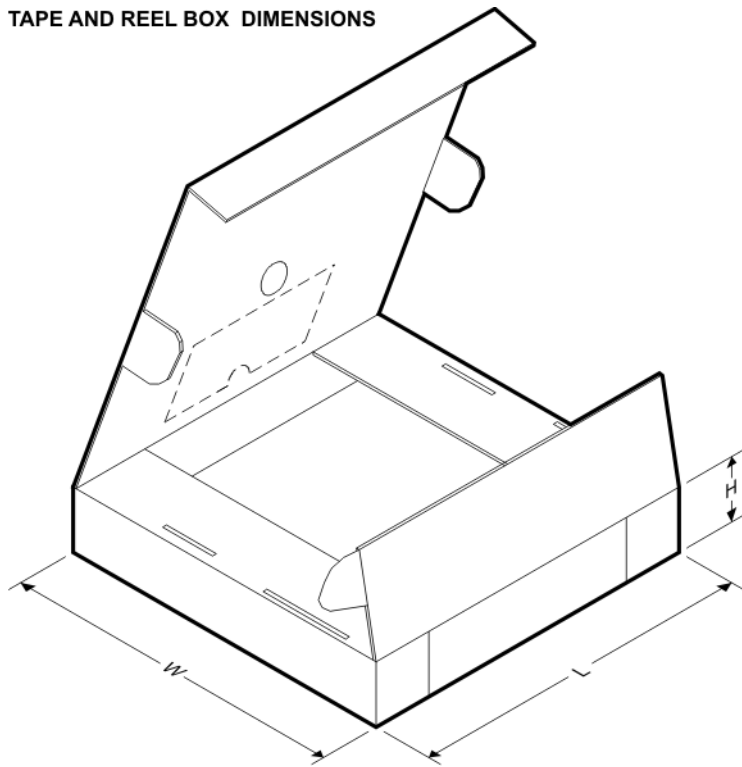
TAPE AND REEL INFORMATION

QUADRANT ASSIGNMENTS FOR PIN 1 ORIENTATION IN TAPE


*All dimensions are nominal

| Device | Package Type | Package Drawing | Pins | SPQ | Reel Diameter (mm) | Reel Width W1 (mm) | A0 (mm) | B0 (mm) | K0 (mm) | P1 (mm) | W (mm) | Pin1 Quadrant |
|---------------------|--------------|-----------------|------|------|--------------------|--------------------|---------|---------|---------|---------|--------|---------------|
| LP5907MFX-1.2/NOPB | SOT-23 | DBV | 5 | 3000 | 178.0 | 8.4 | 3.2 | 3.2 | 1.4 | 4.0 | 8.0 | Q3 |
| LP5907MFX-1.8/NOPB | SOT-23 | DBV | 5 | 3000 | 178.0 | 8.4 | 3.2 | 3.2 | 1.4 | 4.0 | 8.0 | Q3 |
| LP5907MFX-2.8/NOPB | SOT-23 | DBV | 5 | 3000 | 178.0 | 8.4 | 3.2 | 3.2 | 1.4 | 4.0 | 8.0 | Q3 |
| LP5907MFX-2.85/NOPB | SOT-23 | DBV | 5 | 3000 | 178.0 | 8.4 | 3.2 | 3.2 | 1.4 | 4.0 | 8.0 | Q3 |
| LP5907MFX-3.0/NOPB | SOT-23 | DBV | 5 | 3000 | 178.0 | 8.4 | 3.2 | 3.2 | 1.4 | 4.0 | 8.0 | Q3 |
| LP5907MFX-3.1/NOPB | SOT-23 | DBV | 5 | 3000 | 178.0 | 8.4 | 3.2 | 3.2 | 1.4 | 4.0 | 8.0 | Q3 |
| LP5907MFX-3.2/NOPB | SOT-23 | DBV | 5 | 3000 | 178.0 | 8.4 | 3.2 | 3.2 | 1.4 | 4.0 | 8.0 | Q3 |
| LP5907MFX-3.3/NOPB | SOT-23 | DBV | 5 | 3000 | 178.0 | 8.4 | 3.2 | 3.2 | 1.4 | 4.0 | 8.0 | Q3 |
| LP5907MFX-4.5/NOPB | SOT-23 | DBV | 5 | 3000 | 178.0 | 8.4 | 3.2 | 3.2 | 1.4 | 4.0 | 8.0 | Q3 |
| LP5907SNX-1.2/NOPB | X2SON | DQN | 4 | 3000 | 180.0 | 9.5 | 1.16 | 1.16 | 0.63 | 4.0 | 8.0 | Q2 |
| LP5907SNX-1.8/NOPB | X2SON | DQN | 4 | 3000 | 180.0 | 9.5 | 1.16 | 1.16 | 0.63 | 4.0 | 8.0 | Q2 |
| LP5907SNX-2.7/NOPB | X2SON | DQN | 4 | 3000 | 180.0 | 9.5 | 1.16 | 1.16 | 0.63 | 4.0 | 8.0 | Q2 |
| LP5907SNX-2.8/NOPB | X2SON | DQN | 4 | 3000 | 180.0 | 9.5 | 1.16 | 1.16 | 0.63 | 4.0 | 8.0 | Q2 |
| LP5907SNX-2.85/NOPB | X2SON | DQN | 4 | 3000 | 180.0 | 9.5 | 1.16 | 1.16 | 0.63 | 4.0 | 8.0 | Q2 |
| LP5907SNX-3.0/NOPB | X2SON | DQN | 4 | 3000 | 180.0 | 9.5 | 1.16 | 1.16 | 0.63 | 4.0 | 8.0 | Q2 |
| LP5907SNX-3.1/NOPB | X2SON | DQN | 4 | 3000 | 180.0 | 9.5 | 1.16 | 1.16 | 0.63 | 4.0 | 8.0 | Q2 |
| LP5907SNX-3.2/NOPB | X2SON | DQN | 4 | 3000 | 180.0 | 9.5 | 1.16 | 1.16 | 0.63 | 4.0 | 8.0 | Q2 |
| LP5907SNX-3.3/NOPB | X2SON | DQN | 4 | 3000 | 180.0 | 9.5 | 1.16 | 1.16 | 0.63 | 4.0 | 8.0 | Q2 |

| Device | Package Type | Package Drawing | Pins | SPQ | Reel Diameter (mm) | Reel Width W1 (mm) | A0 (mm) | B0 (mm) | K0 (mm) | P1 (mm) | W (mm) | Pin1 Quadrant |
|---------------------|--------------|-----------------|------|------|--------------------|--------------------|---------|---------|---------|---------|--------|---------------|
| LP5907SNX-4.5/NOPB | X2SON | DQN | 4 | 3000 | 180.0 | 9.5 | 1.16 | 1.16 | 0.63 | 4.0 | 8.0 | Q2 |
| LP5907UVE-1.2/NOPB | DSBGA | YKE | 4 | 250 | 178.0 | 8.4 | 0.71 | 0.71 | 0.51 | 4.0 | 8.0 | Q1 |
| LP5907UVE-1.8/NOPB | DSBGA | YKE | 4 | 250 | 178.0 | 8.4 | 0.71 | 0.71 | 0.51 | 4.0 | 8.0 | Q1 |
| LP5907UVE-2.8/NOPB | DSBGA | YKE | 4 | 250 | 178.0 | 8.4 | 0.71 | 0.71 | 0.51 | 4.0 | 8.0 | Q1 |
| LP5907UVE-3.0/NOPB | DSBGA | YKE | 4 | 250 | 178.0 | 8.4 | 0.71 | 0.71 | 0.51 | 4.0 | 8.0 | Q1 |
| LP5907UVE-3.1/NOPB | DSBGA | YKE | 4 | 250 | 178.0 | 8.4 | 0.71 | 0.71 | 0.51 | 4.0 | 8.0 | Q1 |
| LP5907UVE-3.3/NOPB | DSBGA | YKE | 4 | 250 | 178.0 | 8.4 | 0.71 | 0.71 | 0.51 | 4.0 | 8.0 | Q1 |
| LP5907UVE-4.5/NOPB | DSBGA | YKE | 4 | 250 | 178.0 | 8.4 | 0.71 | 0.71 | 0.51 | 4.0 | 8.0 | Q1 |
| LP5907UVX-1.2/NOPB | DSBGA | YKE | 4 | 3000 | 178.0 | 8.4 | 0.71 | 0.71 | 0.51 | 4.0 | 8.0 | Q1 |
| LP5907UVX-1.8/NOPB | DSBGA | YKE | 4 | 3000 | 178.0 | 8.4 | 0.71 | 0.71 | 0.51 | 4.0 | 8.0 | Q1 |
| LP5907UVX-2.8/NOPB | DSBGA | YKE | 4 | 3000 | 178.0 | 8.4 | 0.71 | 0.71 | 0.51 | 4.0 | 8.0 | Q1 |
| LP5907UVX-2.85/NOPB | DSBGA | YKE | 4 | 3000 | 178.0 | 8.4 | 0.71 | 0.71 | 0.51 | 4.0 | 8.0 | Q1 |
| LP5907UVX-3.0/NOPB | DSBGA | YKE | 4 | 3000 | 178.0 | 8.4 | 0.71 | 0.71 | 0.51 | 4.0 | 8.0 | Q1 |
| LP5907UVX-3.1/NOPB | DSBGA | YKE | 4 | 3000 | 178.0 | 8.4 | 0.71 | 0.71 | 0.51 | 4.0 | 8.0 | Q1 |
| LP5907UVX-3.3/NOPB | DSBGA | YKE | 4 | 3000 | 178.0 | 8.4 | 0.71 | 0.71 | 0.51 | 4.0 | 8.0 | Q1 |
| LP5907UVX-4.5/NOPB | DSBGA | YKE | 4 | 3000 | 178.0 | 8.4 | 0.71 | 0.71 | 0.51 | 4.0 | 8.0 | Q1 |
| LP5907UVX19/NOPB | DSBGA | YKE | 4 | 3000 | 178.0 | 8.4 | 0.71 | 0.71 | 0.51 | 4.0 | 8.0 | Q1 |
| LP5907UVX37/NOPB | DSBGA | YKE | 4 | 3000 | 178.0 | 8.4 | 0.71 | 0.71 | 0.51 | 4.0 | 8.0 | Q1 |

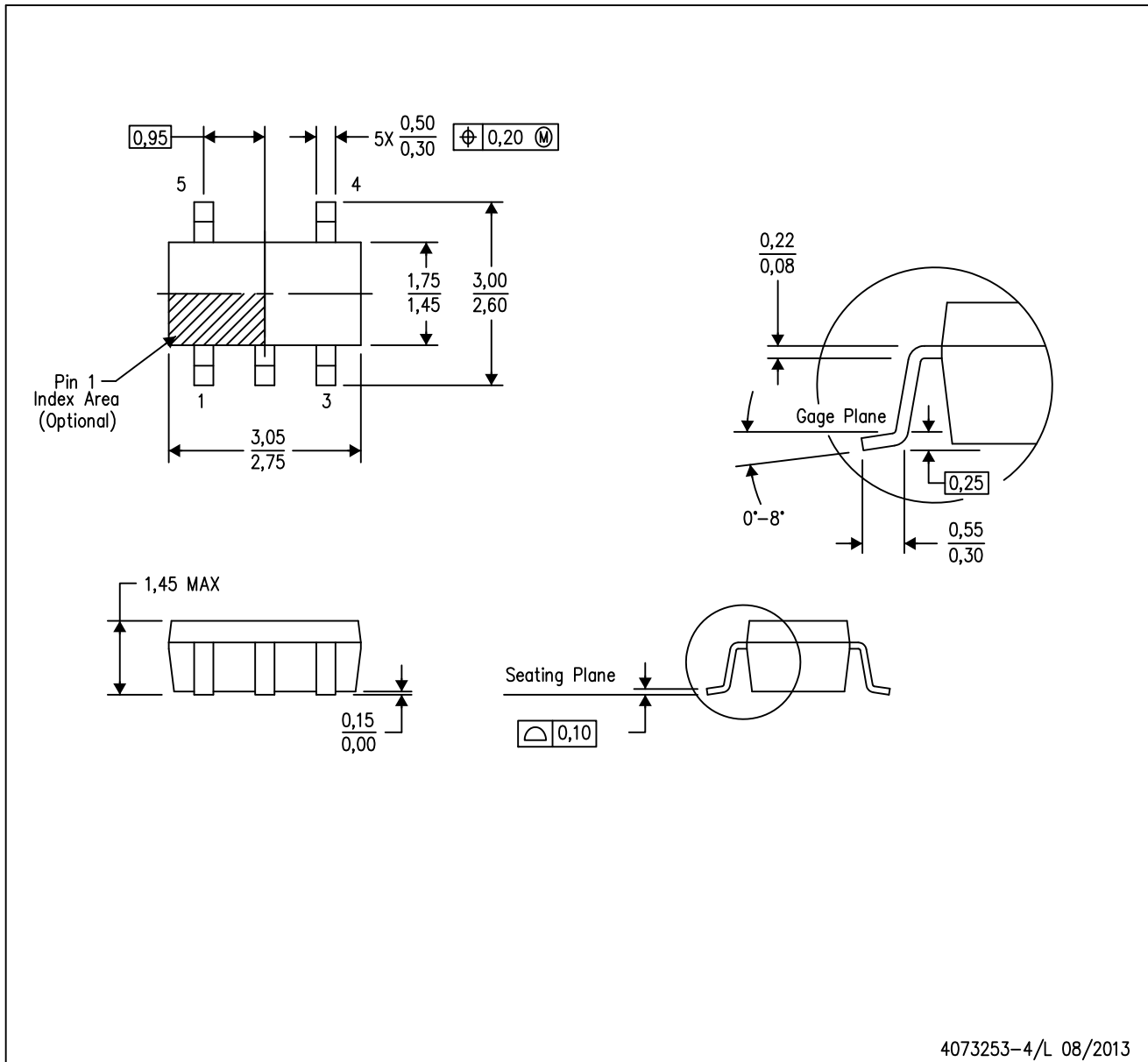
TAPE AND REEL BOX DIMENSIONS


*All dimensions are nominal

| Device | Package Type | Package Drawing | Pins | SPQ | Length (mm) | Width (mm) | Height (mm) |
|---------------------|--------------|-----------------|------|------|-------------|------------|-------------|
| LP5907MFX-1.2/NOPB | SOT-23 | DBV | 5 | 3000 | 210.0 | 185.0 | 35.0 |
| LP5907MFX-1.8/NOPB | SOT-23 | DBV | 5 | 3000 | 210.0 | 185.0 | 35.0 |
| LP5907MFX-2.8/NOPB | SOT-23 | DBV | 5 | 3000 | 210.0 | 185.0 | 35.0 |
| LP5907MFX-2.85/NOPB | SOT-23 | DBV | 5 | 3000 | 210.0 | 185.0 | 35.0 |
| LP5907MFX-3.0/NOPB | SOT-23 | DBV | 5 | 3000 | 210.0 | 185.0 | 35.0 |
| LP5907MFX-3.1/NOPB | SOT-23 | DBV | 5 | 3000 | 210.0 | 185.0 | 35.0 |
| LP5907MFX-3.2/NOPB | SOT-23 | DBV | 5 | 3000 | 210.0 | 185.0 | 35.0 |
| LP5907MFX-3.3/NOPB | SOT-23 | DBV | 5 | 3000 | 210.0 | 185.0 | 35.0 |
| LP5907MFX-4.5/NOPB | SOT-23 | DBV | 5 | 3000 | 210.0 | 185.0 | 35.0 |
| LP5907SNX-1.2/NOPB | X2SON | DQN | 4 | 3000 | 180.0 | 180.0 | 30.0 |
| LP5907SNX-1.8/NOPB | X2SON | DQN | 4 | 3000 | 180.0 | 180.0 | 30.0 |
| LP5907SNX-2.7/NOPB | X2SON | DQN | 4 | 3000 | 180.0 | 180.0 | 30.0 |
| LP5907SNX-2.8/NOPB | X2SON | DQN | 4 | 3000 | 180.0 | 180.0 | 30.0 |
| LP5907SNX-2.85/NOPB | X2SON | DQN | 4 | 3000 | 180.0 | 180.0 | 30.0 |
| LP5907SNX-3.0/NOPB | X2SON | DQN | 4 | 3000 | 180.0 | 180.0 | 30.0 |
| LP5907SNX-3.1/NOPB | X2SON | DQN | 4 | 3000 | 180.0 | 180.0 | 30.0 |
| LP5907SNX-3.2/NOPB | X2SON | DQN | 4 | 3000 | 180.0 | 180.0 | 30.0 |
| LP5907SNX-3.3/NOPB | X2SON | DQN | 4 | 3000 | 180.0 | 180.0 | 30.0 |
| LP5907SNX-4.5/NOPB | X2SON | DQN | 4 | 3000 | 180.0 | 180.0 | 30.0 |
| LP5907UVE-1.2/NOPB | DSBGA | YKE | 4 | 250 | 210.0 | 185.0 | 35.0 |
| LP5907UVE-1.8/NOPB | DSBGA | YKE | 4 | 250 | 210.0 | 185.0 | 35.0 |
| LP5907UVE-2.8/NOPB | DSBGA | YKE | 4 | 250 | 210.0 | 185.0 | 35.0 |
| LP5907UVE-3.0/NOPB | DSBGA | YKE | 4 | 250 | 210.0 | 185.0 | 35.0 |
| LP5907UVE-3.1/NOPB | DSBGA | YKE | 4 | 250 | 210.0 | 185.0 | 35.0 |
| LP5907UVE-3.3/NOPB | DSBGA | YKE | 4 | 250 | 210.0 | 185.0 | 35.0 |
| LP5907UVE-4.5/NOPB | DSBGA | YKE | 4 | 250 | 210.0 | 185.0 | 35.0 |
| LP5907UVX-1.2/NOPB | DSBGA | YKE | 4 | 3000 | 210.0 | 185.0 | 35.0 |
| LP5907UVX-1.8/NOPB | DSBGA | YKE | 4 | 3000 | 210.0 | 185.0 | 35.0 |
| LP5907UVX-2.8/NOPB | DSBGA | YKE | 4 | 3000 | 210.0 | 185.0 | 35.0 |
| LP5907UVX-2.85/NOPB | DSBGA | YKE | 4 | 3000 | 210.0 | 185.0 | 35.0 |
| LP5907UVX-3.0/NOPB | DSBGA | YKE | 4 | 3000 | 210.0 | 185.0 | 35.0 |
| LP5907UVX-3.1/NOPB | DSBGA | YKE | 4 | 3000 | 210.0 | 185.0 | 35.0 |
| LP5907UVX-3.3/NOPB | DSBGA | YKE | 4 | 3000 | 210.0 | 185.0 | 35.0 |
| LP5907UVX-4.5/NOPB | DSBGA | YKE | 4 | 3000 | 210.0 | 185.0 | 35.0 |
| LP5907UVX19/NOPB | DSBGA | YKE | 4 | 3000 | 210.0 | 185.0 | 35.0 |
| LP5907UVX37/NOPB | DSBGA | YKE | 4 | 3000 | 210.0 | 185.0 | 35.0 |

DBV (R-PDSO-G5)

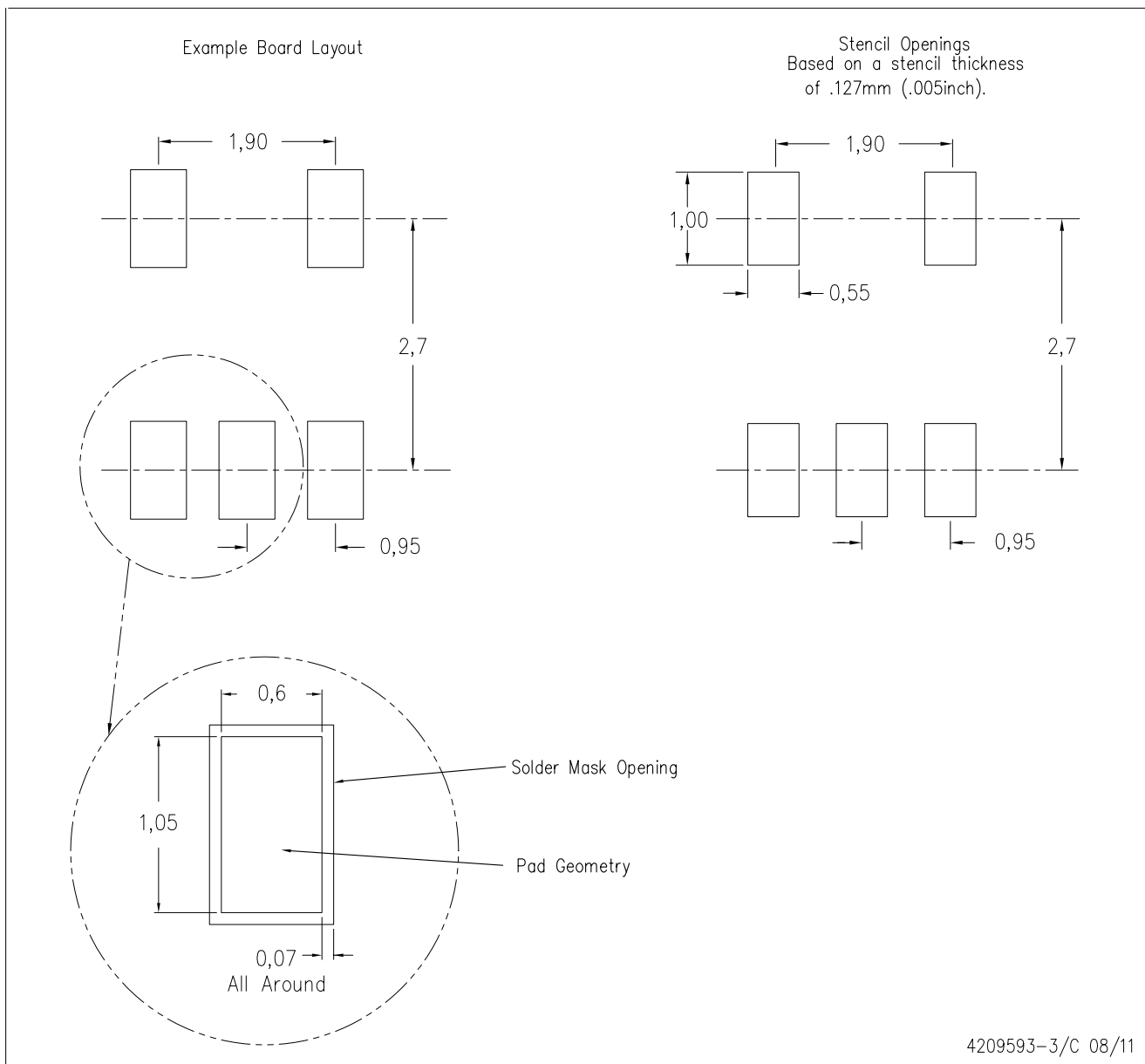
PLASTIC SMALL-OUTLINE PACKAGE



- NOTES:
- A. All linear dimensions are in millimeters.
 - B. This drawing is subject to change without notice.
 - C. Body dimensions do not include mold flash or protrusion. Mold flash and protrusion shall not exceed 0.15 per side.
 - D. Falls within JEDEC MO-178 Variation AA.

DBV (R-PDSO-G5)

PLASTIC SMALL OUTLINE



- NOTES:
- A. All linear dimensions are in millimeters.
 - B. This drawing is subject to change without notice.
 - C. Customers should place a note on the circuit board fabrication drawing not to alter the center solder mask defined pad.
 - D. Publication IPC-7351 is recommended for alternate designs.
 - E. Laser cutting apertures with trapezoidal walls and also rounding corners will offer better paste release. Customers should contact their board assembly site for stencil design recommendations. Example stencil design based on a 50% volumetric metal load solder paste. Refer to IPC-7525 for other stencil recommendations.

THERMAL PAD MECHANICAL DATA

DQN (S-PX2SON-N4)

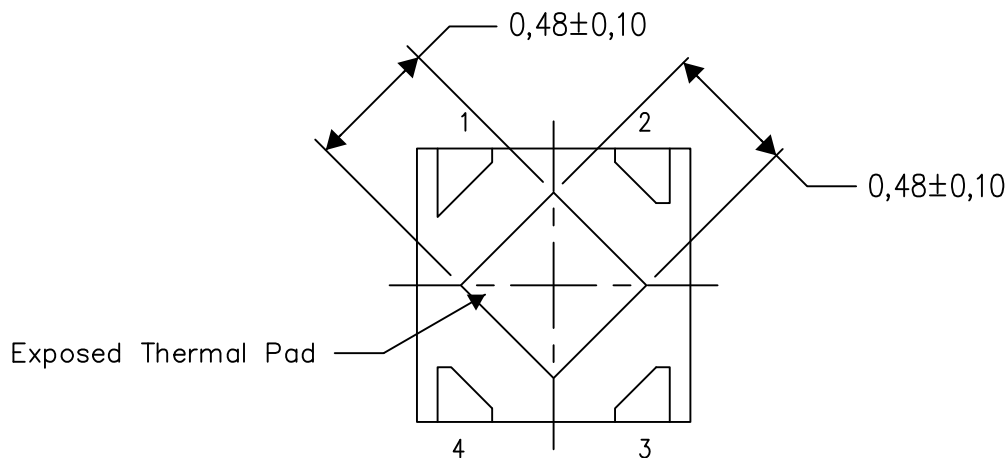
PLASTIC SMALL OUTLINE NO-LEAD

THERMAL INFORMATION

This package incorporates an exposed thermal pad that is designed to be attached directly to an external heatsink. The thermal pad must be soldered directly to the printed circuit board (PCB). After soldering, the PCB can be used as a heatsink. In addition, through the use of thermal vias, the thermal pad can be attached directly to the appropriate copper plane shown in the electrical schematic for the device, or alternatively, can be attached to a special heatsink structure designed into the PCB. This design optimizes the heat transfer from the integrated circuit (IC).

For information on the Quad Flatpack No-Lead (QFN) package and its advantages, refer to Application Report, QFN/SON PCB Attachment, Texas Instruments Literature No. SLUA271. This document is available at www.ti.com.

The exposed thermal pad dimensions for this package are shown in the following illustration.



Bottom View

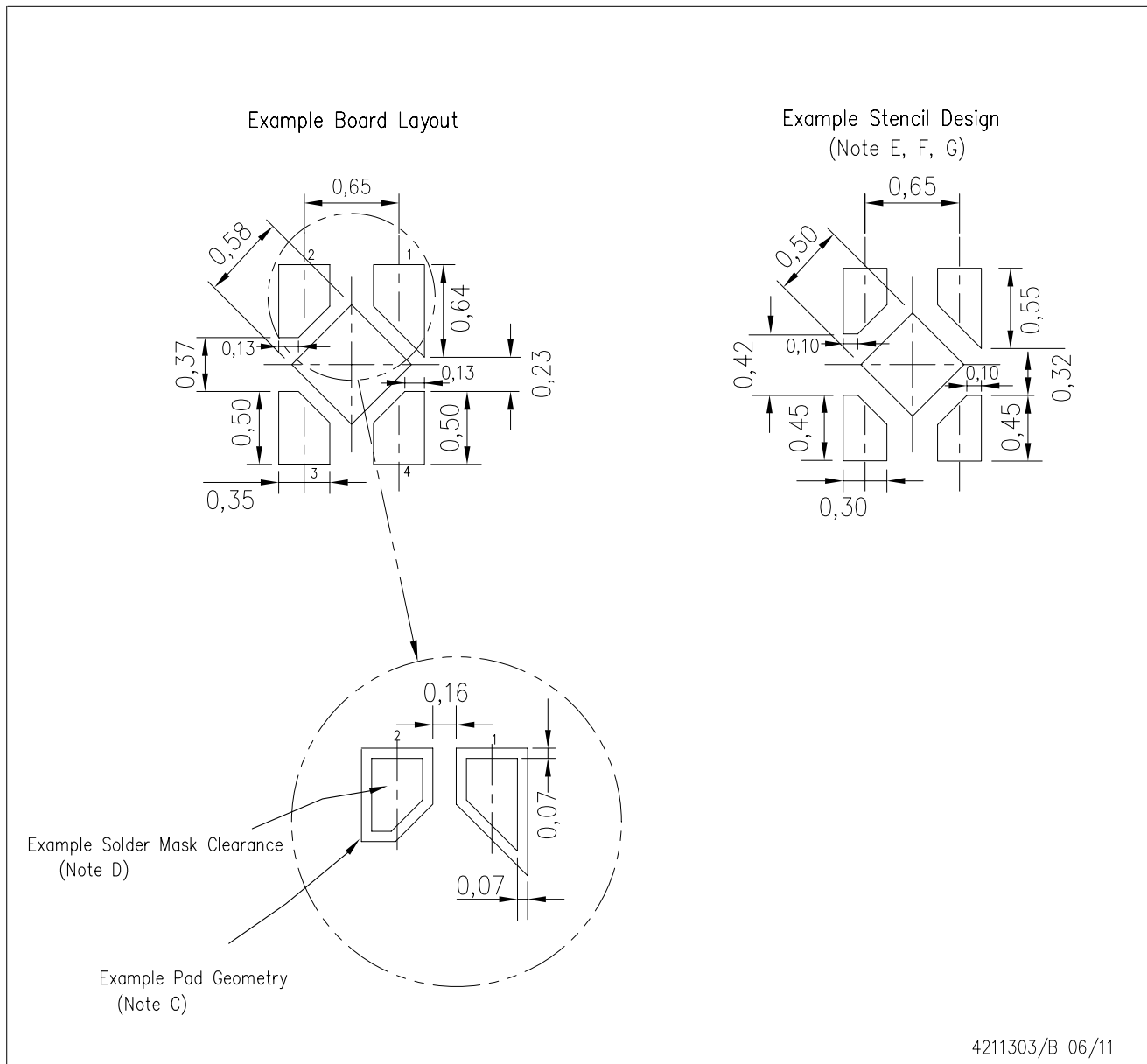
Exposed Thermal Pad Dimensions

4210393-3/E 04/12

NOTE: All linear dimensions are in millimeters

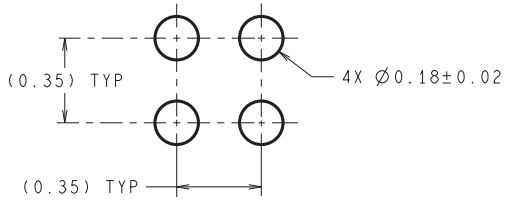
DQN (S-PX2SON-N4)

PLASTIC SMALL OUTLINE NO-LEAD



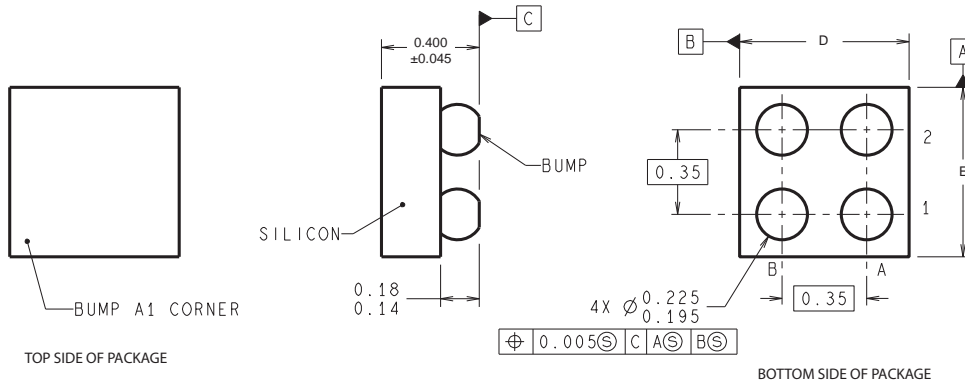
- NOTES:
- All linear dimensions are in millimeters.
 - This drawing is subject to change without notice.
 - Publication IPC-7351 is recommended for alternate designs.
 - Customers should contact their board fabrication site for minimum solder mask web tolerances between signal pads.
 - Maximum stencil thickness 0,127 mm (5 mils). All linear dimensions are in millimeters.
 - Laser cutting apertures with trapezoidal walls and also rounding corners will offer better paste release. Customers should contact their board assembly site for stencil design recommendations. Refer to IPC 7525 for stencil design considerations.
 - Side aperture dimensions over-print land for acceptable area ratio > 0.66. Customer may reduce side aperture dimensions if stencil manufacturing process allows for sufficient release at smaller opening.

YKE0004



DIMENSIONS ARE IN MILLIMETERS
DIMENSIONS IN () FOR REFERENCE ONLY

LAND PATTERN RECOMMENDATION



TLE04XXX (Rev A)

D: Max = 0.675 mm, Min = 0.615 mm

E: Max = 0.675 mm, Min = 0.615 mm

4215149/A 12/12

NOTES: A. All linear dimensions are in millimeters. Dimensioning and tolerancing per ASME Y14.5M-1994.
B. This drawing is subject to change without notice.

IMPORTANT NOTICE

Texas Instruments Incorporated and its subsidiaries (TI) reserve the right to make corrections, enhancements, improvements and other changes to its semiconductor products and services per JESD46, latest issue, and to discontinue any product or service per JESD48, latest issue. Buyers should obtain the latest relevant information before placing orders and should verify that such information is current and complete. All semiconductor products (also referred to herein as "components") are sold subject to TI's terms and conditions of sale supplied at the time of order acknowledgment.

TI warrants performance of its components to the specifications applicable at the time of sale, in accordance with the warranty in TI's terms and conditions of sale of semiconductor products. Testing and other quality control techniques are used to the extent TI deems necessary to support this warranty. Except where mandated by applicable law, testing of all parameters of each component is not necessarily performed.

TI assumes no liability for applications assistance or the design of Buyers' products. Buyers are responsible for their products and applications using TI components. To minimize the risks associated with Buyers' products and applications, Buyers should provide adequate design and operating safeguards.

TI does not warrant or represent that any license, either express or implied, is granted under any patent right, copyright, mask work right, or other intellectual property right relating to any combination, machine, or process in which TI components or services are used. Information published by TI regarding third-party products or services does not constitute a license to use such products or services or a warranty or endorsement thereof. Use of such information may require a license from a third party under the patents or other intellectual property of the third party, or a license from TI under the patents or other intellectual property of TI.

Reproduction of significant portions of TI information in TI data books or data sheets is permissible only if reproduction is without alteration and is accompanied by all associated warranties, conditions, limitations, and notices. TI is not responsible or liable for such altered documentation. Information of third parties may be subject to additional restrictions.

Resale of TI components or services with statements different from or beyond the parameters stated by TI for that component or service voids all express and any implied warranties for the associated TI component or service and is an unfair and deceptive business practice. TI is not responsible or liable for any such statements.

Buyer acknowledges and agrees that it is solely responsible for compliance with all legal, regulatory and safety-related requirements concerning its products, and any use of TI components in its applications, notwithstanding any applications-related information or support that may be provided by TI. Buyer represents and agrees that it has all the necessary expertise to create and implement safeguards which anticipate dangerous consequences of failures, monitor failures and their consequences, lessen the likelihood of failures that might cause harm and take appropriate remedial actions. Buyer will fully indemnify TI and its representatives against any damages arising out of the use of any TI components in safety-critical applications.

In some cases, TI components may be promoted specifically to facilitate safety-related applications. With such components, TI's goal is to help enable customers to design and create their own end-product solutions that meet applicable functional safety standards and requirements. Nonetheless, such components are subject to these terms.

No TI components are authorized for use in FDA Class III (or similar life-critical medical equipment) unless authorized officers of the parties have executed a special agreement specifically governing such use.

Only those TI components which TI has specifically designated as military grade or "enhanced plastic" are designed and intended for use in military/aerospace applications or environments. Buyer acknowledges and agrees that any military or aerospace use of TI components which have *not* been so designated is solely at the Buyer's risk, and that Buyer is solely responsible for compliance with all legal and regulatory requirements in connection with such use.

TI has specifically designated certain components as meeting ISO/TS16949 requirements, mainly for automotive use. In any case of use of non-designated products, TI will not be responsible for any failure to meet ISO/TS16949.

Products

| | |
|------------------------------|--|
| Audio | www.ti.com/audio |
| Amplifiers | amplifier.ti.com |
| Data Converters | dataconverter.ti.com |
| DLP® Products | www.dlp.com |
| DSP | dsp.ti.com |
| Clocks and Timers | www.ti.com/clocks |
| Interface | interface.ti.com |
| Logic | logic.ti.com |
| Power Mgmt | power.ti.com |
| Microcontrollers | microcontroller.ti.com |
| RFID | www.ti-rfid.com |
| OMAP Applications Processors | www.ti.com/omap |
| Wireless Connectivity | www.ti.com/wirelessconnectivity |

Applications

| | |
|-------------------------------|--|
| Automotive and Transportation | www.ti.com/automotive |
| Communications and Telecom | www.ti.com/communications |
| Computers and Peripherals | www.ti.com/computers |
| Consumer Electronics | www.ti.com/consumer-apps |
| Energy and Lighting | www.ti.com/energy |
| Industrial | www.ti.com/industrial |
| Medical | www.ti.com/medical |
| Security | www.ti.com/security |
| Space, Avionics and Defense | www.ti.com/space-avionics-defense |
| Video and Imaging | www.ti.com/video |

TI E2E Community

e2e.ti.com