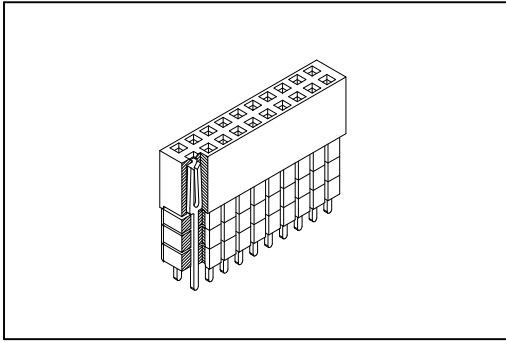


2047 Series

Elevated P.C.B. Socket
2.54mmX2.54mm(0.100"X0.100")



Material:

Housing: Thermoplastic Polyester Glass Filled UL94V-0.

Contacts: Copper Alloy.

Electrical Characteristics:

Current Rating: 2 A.

Dielectric Withstanding Voltage: AC 1000V.

Insulator Resistance: 1000MΩ min.

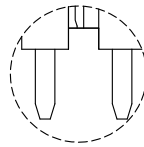
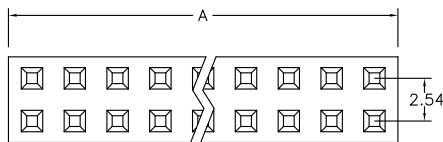
Contact Resistance: 20mΩ max.

Operating Temperature: -55°C~+105°C.

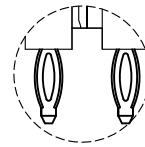
Features:

- * Wide range of board spacing choices.
- * Great product flexibility and strength.
- * Tuning fork contacts offer lower cost for competitive market.
- * Additional plating options available.

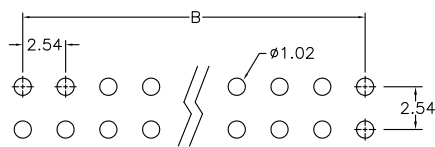
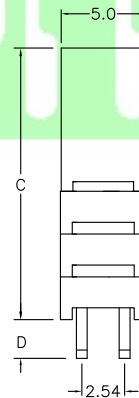
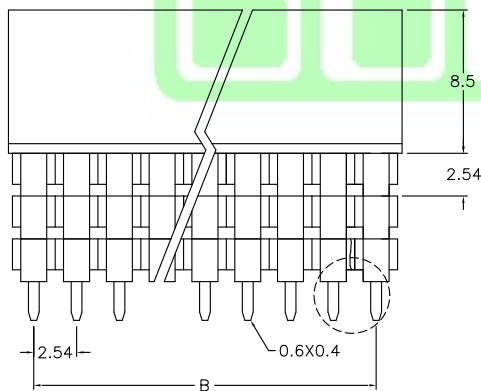
Mates with: 2011,2012,2015.



Dip Type



Press Fit Type



P.C. Board Layout

Position	4 Thru 80										
Dimension											
A	2.54 X No. of Positions /2 +0.4										
B	2.54 X No. of Positions /2-2.54										
Code	1	2	3	4	5	6	7	8	9	10	11
C (Straight)	11.05	11.05	13.59	16.13	11.05	13.59	16.13	18.67	11.05	18.67	21.21
C (Press Fit)	11.05	13.59	16.13	18.67	11.05						
D (Straight)	2.50	7.35	4.85	2.30	12.20	9.65	7.10	4.60	3.50	3.00	2.06
D (Press Fit)	3.20	3.20	3.20	3.20	12.20						

Ordering information

2047- Series
2 Double Row
X No. of Pin Per Row
40
G G: Gold Plated
00 00: G/F
S S: Straight
P Blank: Dip Type
P: Press Fit Type
1 Choices of Code
U U: Tube Package