

FEATURES AND SPECIFICATIONS

Features and Benefits

- Sizes 3 to 15 circuits

Reference Information

Packaging: Tray

UL File No.: E29179

Mates With: [3022-NA](#)

Designed In: Millimeters

Electrical

Voltage: 250V

Current: 3.0A

Contact Resistance: 20mΩ max.

Dielectric Withstanding Voltage: 1000V AC/1 min.

Insulation Resistance: 1000 MΩ min.

Physical

Housing: 6/6 nylon, UL 94V-0

Contact: Phosphor Bronze

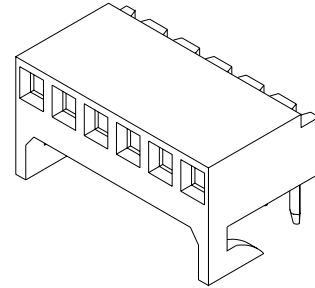
Plating: Tin

Operating Temperature: -40 to +105°C

molex® 2.50mm (.098") Pitch Board-to-Board Receptacle

3024-NAHPB

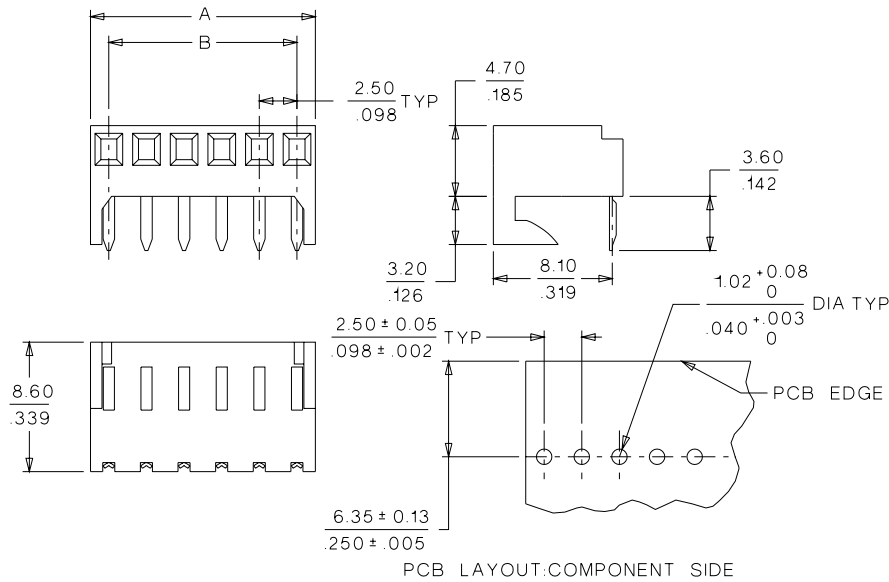
Single Row Right Angle



B

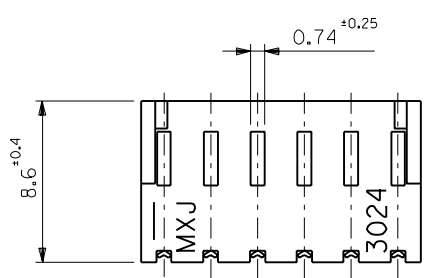
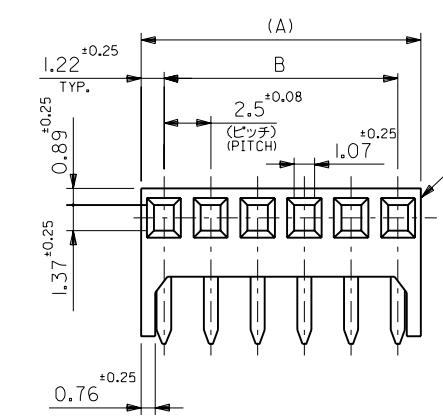
2.00 to 2.50mm (.079 to .098") Pitch

CATALOG DRAWING (FOR REFERENCE ONLY)



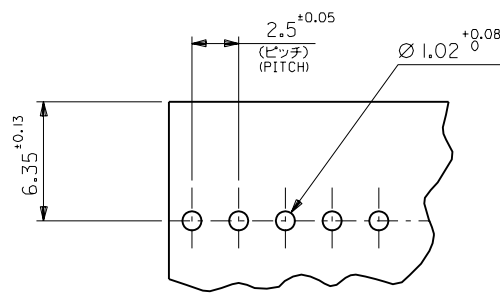
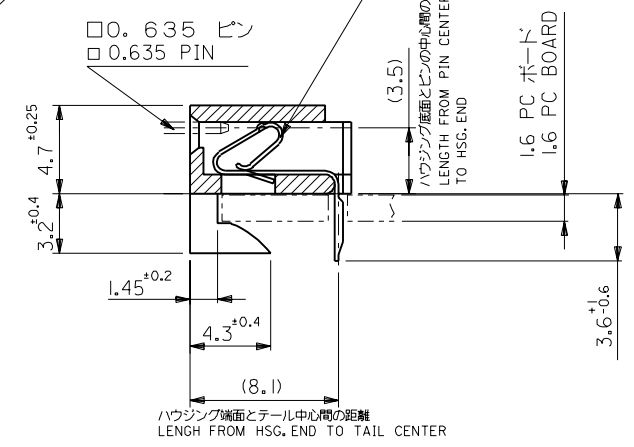
ORDERING INFORMATION AND DIMENSIONS

Circuits	Order No.	Dimension	
		A	B
3	22-15-1032	7.44 (.293)	5.00 (.196)
4	22-15-1042	9.94 (.391)	7.50 (.295)
5	22-15-1052	12.44 (.490)	10.00 (.393)
6	22-15-1062	14.94 (.588)	12.50 (.492)
7	22-15-1072	17.44 (.687)	15.00 (.590)
8	22-15-1082	19.94 (.785)	17.50 (.688)
9	22-15-1092	22.44 (.883)	20.00 (.787)
10	22-15-1102	24.94 (.982)	22.50 (.885)
11	22-15-1112	27.44 (1.080)	25.00 (.984)
12	22-15-1122	29.94 (1.179)	27.50 (1.082)
13	22-15-1132	32.44 (1.277)	30.00 (1.181)
14	22-15-1142	34.94 (1.376)	32.50 (1.279)
15	22-15-1152	37.44 (1.474)	35.00 (1.377)



3024-N (ナイロン66, 94V-0)
3024-N(NYLON66,94V-0)

5193-1PBT (リン青銅, 錫メッキ)
5193-1PBT(PHOSPHOR BRONZE, TIN PLATE)



基板取付穴推奨寸法
RECOMMENDED PC BOARD HOLE DIMENSION

47.5 ^{+0.3}	49.94	3024-20AHPB	20
45 ^{+0.25}	47.44	▲ -19AHPB	19
42.5 ^{+0.25}	44.94	-18AHPB	18
40 ^{+0.25}	42.44	-17AHPB	17
37.5 ^{+0.25}	39.94	-16AHPB	16
35 ^{+0.2}	37.44	-15AHPB	15
32.5 ^{+0.2}	34.94	-14AHPB	14
30 ^{+0.2}	32.44	-13AHPB	13
27.5 ^{+0.2}	29.94	-12AHPB	12
25 ^{+0.15}	27.44	-11AHPB	11
22.5 ^{+0.15}	24.94	-10AHPB	10
20 ^{+0.15}	22.44	-09AHPB	9
17.5 ^{+0.15}	19.94	-08AHPB	8
15 ^{+0.15}	17.44	-07AHPB	7
12.5 ^{+0.1}	14.94	-06AHPB	6
10 ^{+0.1}	12.44	-05AHPB	5
7.5 ^{+0.1}	9.94	-04AHPB	4
5 ^{+0.1}	7.44	▼ -03AHPB	3
2.5 ^{+0.08}	4.94	3024-02AHPB	2
B	(A)	ENG. NO.	数量 NO. OF EXTS.

注記
NOTE
() 内寸法は参考値
() DIMENSION ARE FOR REFERENCE

角度 ANGLE	±3°				
30以上 OVER	+0.3				
10以上 OVER 30未満 UNDER	+0.25				
10未満 UNDER	+0.2				
公差 GENERAL TOLERANCES		記号 LTR	変更内容 REVISION RECORD	DR. CHK.	日付 DATE

材料 MATERIAL	図中参照 REFER TO DRAWING
仕上げ FINISH	—
適用電線範囲 WIRE RANGE	—
被覆外径 INS. RANGE	—
DRAWN BY '96/07/04	CHK'D BY '96/07/04
H.IIJIMA	M.FUKUSHIMA
APP'D BY '96/07/04	尺度 SCALE 4 : 1
M.ENOMOTO	

molex MOLEX-JAPAN CO.,LTD. 日本モレックス株式会社	
REVISE ONLY ON CAD SYSTEM	
TITLE 名称 KK2.5 SOL.REC. HOUSING ASSY	
DWG. NO. SD-3024-NAHPB	REV C