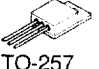



**BIPOLAR POWER TRANSISTORS**






**NPN. (TO-257)**

TYPE NUMBER	COLLECT. TO EMITTER VOLTAGE $V_{CE0}$	COLLECT. TO BASE VOLTAGE $V_{CBO}$	EMITTER TO BASE VOLTAGE $V_{EBO}$	CONTIN. COLLECT. CURRENT $I_C$	CURRENT GAIN $h_{FE}$				MAX. THERM. RESIS. $R_{\theta JL}$	GENERIC PART TYPE	PKG. STYLE
	Volts	Volts	Volts	Amps	$I_C$	$V_{CE}$	Min	Max	$^{\circ}C/W$		
SHD4261	80	125	8.0	5.0	10	5.0	20	-	2.6	2N3421	
SHD4262Ⓣ	80	80	5.0	8.0	4.0	3.0	150	18K	1.75	2N6301	






**PNP. (TO-257)**

SHD4263	80	80	7.0	4.0	.25	1.0	30	120	6.5	2N3741	
SHD4264	100	100	6.0	5.0	2.0	2.0	60	240	3.4	2N6193	

**NPN. SURFACE MOUNT**

SHD4181	80	125	8.0	5.0	10	5.0	20	-	2.3	2N3721	
SHD4182Ⓣ	80	80	5.0	8.0	4.0	3.0	750	18K	3.7	2N6301	
SHD4181A	80	125	8.0	5.0	10	5.0	20	-	2.3	2N3721	
SHD4182AⓉ	80	80	5.0	8.0	4.0	3.0	750	18K	3.7	2N6301	
SHD4181B	80	125	8.0	5.0	10	5.0	20	-	2.3	2N3721	
SHD4182BⓉ	80	80	5.0	8.0	4.0	3.0	750	18K	3.7	2N6301	
SHD4301	80	125	8.0	5.0	10	5.0	20	-	3.9	2N3721	
SHD4302Ⓣ	80	80	5.0	8.0	4.0	3.0	750	18K	6.2	2N6301	
SHD4191	80	125	8.0	5.0	10	5.0	20	-	2.6	2N3721	
SHD4192Ⓣ	80	80	5.0	8.0	4.0	3.0	750	18K	4.1	2N6301	

**PNP. SURFACE MOUNT**

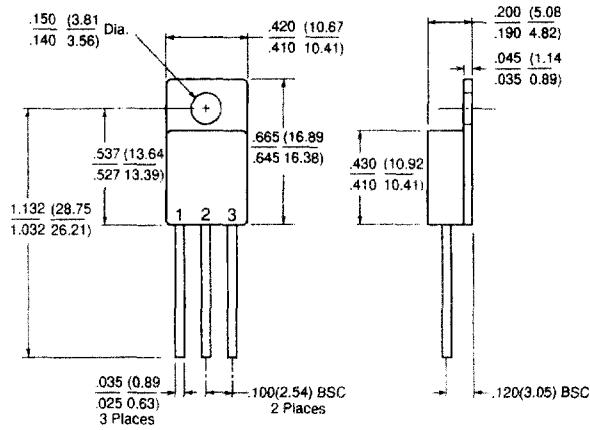
SHD4183	80	80	7.0	4.0	.25	1.0	30	120	5.8	2N3741	
SHD4184	100	100	6.0	5.0	2.0	2.0	60	240	3.0	2N6193	
SHD4183A	80	80	7.0	4.0	.25	1.0	30	120	5.8	2N3741	
SHD4184A	100	100	6.0	5.0	2.0	2.0	60	240	3.0	2N6193	
SHD4183B	80	80	7.0	4.0	.25	1.0	30	120	5.8	2N3741	
SHD4184B	100	100	6.0	5.0	2.0	2.0	60	240	3.0	2N6193	
SHD4303	80	80	7.0	4.0	.25	1.0	30	120	9.7	2N3741	
SHD4304	100	100	6.0	5.0	2.0	2.0	60	240	5.1	2N6193	
SHD4193	80	80	7.0	4.0	.25	1.0	30	120	6.5	2N3741	
SHD4194	100	100	6.0	5.0	2.0	2.0	60	240	3.4	2N6193	

**Notes:** -All ratings are at  $T_C = 25^{\circ}C$  unless otherwise specified. -Ceramic seals and GildCop® leads available. See page 101 for ordering instructions.

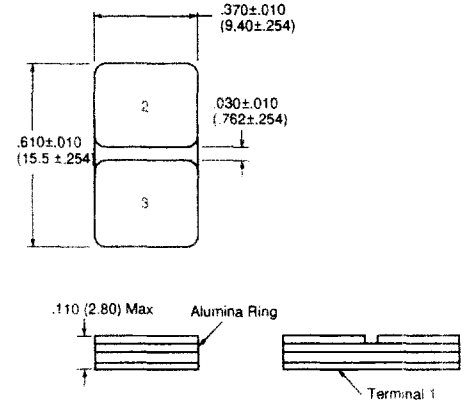
-Maximum operating and storage temperature  $-55^{\circ}C$  to  $+150^{\circ}C$ . Ⓣ Darlington Type.

**PINOUTS**

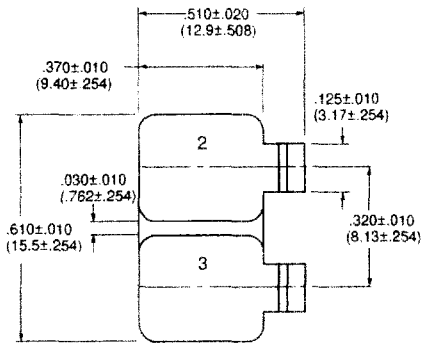
DEVICE TYPE	PIN 1	PIN 2	PIN 3
BIPOLAR TRANSISTOR, TO-257, SHD-5, SHD-5A, SHD-5B	COLLECTOR	BASE	EMITTER
DEVICE TYPE	PIN 5, 1 & 15-25	PINS 5-11	PINS 2, 3, 13 & 14
BIPOLAR TRANSISTOR, LCC-28T	EMITTER	COLLECTOR	BASE
DEVICE TYPE	PIN 1	PIN 2	PIN 3
BIPOLAR TRANSISTOR, LCC-3P	COLLECTOR	BASE	EMITTER



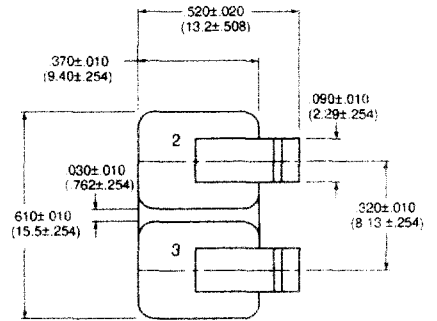
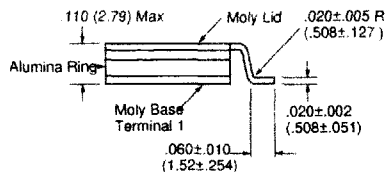
**TO - 257**



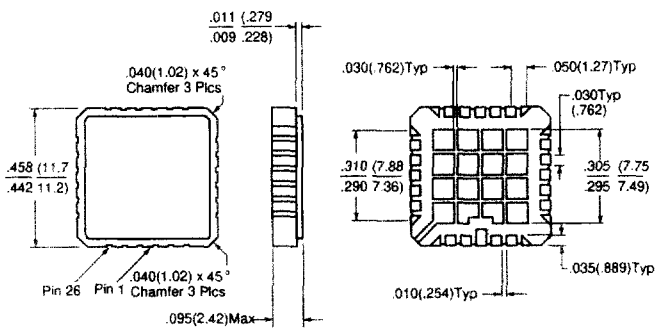
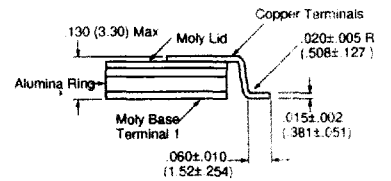
**SHD-5**



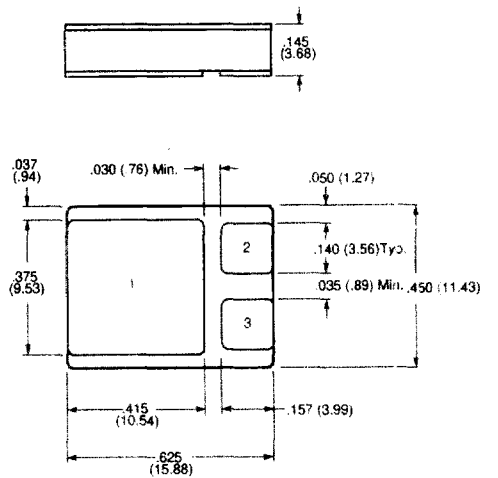
**SHD-5A**



**SHD-5B**



**LCC-28T**



**LCC-3P**