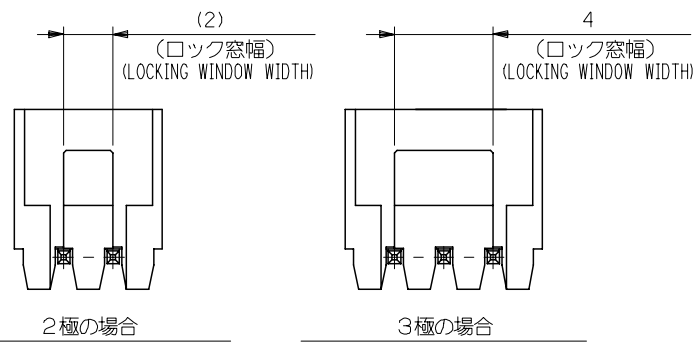
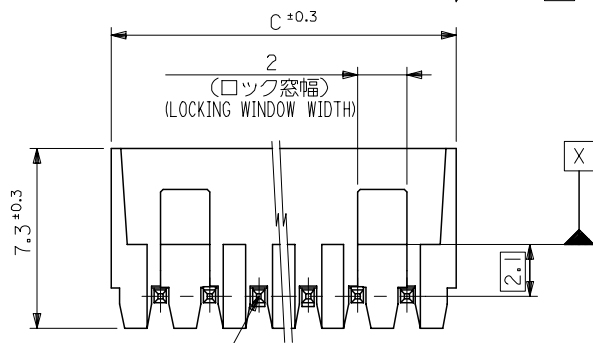


注記 NOTES

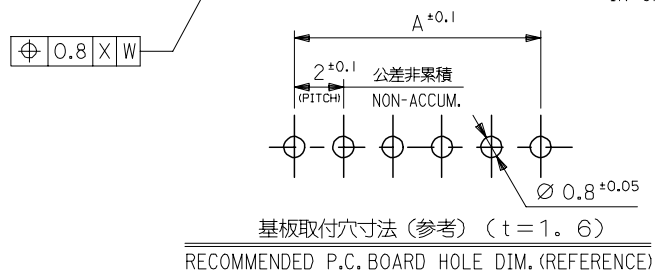
1. 嵌合相手 : 51065 シリーズ  
MATE WITH : 51065 SERIES
  2. 材質 MATERIAL  
ウエハー : 66ナイロン, UL94V-0  
WAFER : 66NYLON, UL94V-0  
ピン : 黄銅, 半田メッキ  
PIN : BRASS, TIN-LEAD PLATING
- △ キックは下記表の位置及び形状に付加のこと。2極はキック無し。  
KINK TO BE APPLIED AS FOLLOWS, 2 CIRCUIT HAS NO KINK.

極数 CKT	回路番号 CKT NO.	回路番号							
		1	2	3	4	5	N-2	N-1	N
6 極以上	MORE THAN 6 CKT	—	①	②	—	—	②	①	—
5 極	5 CKT	①	②	—	②	①			
4 極	4 CKT	①	②	②	①				
3 極	3 CKT	①	②	①					

- △ ウエハーの色 COLOR OF WAFER  
ENG NO. の下1桁に対応する。  
CORRESPONDS TO LAST DIGIT OF ENG. NO.
- |                      |                       |
|----------------------|-----------------------|
| 白 WHITE : 53254-**10 | 黒 BLACK : 53254-**11  |
| 赤 RED : 53254-**12   | 黄 YELLOW : 53254-**13 |
| 青 BLUE : 53254-**14  | 橙 ORANGE : 53254-**18 |
| 桃 PINK : 53254-**19  |                       |



32	31.1	28	53254-151*	15
30	29.1	26	-141*	14
28	27.1	24	-131*	13
26	25.1	22	-121*	12
24	23.1	20	-111*	11
22	21.1	18	-101*	10
20	19.1	16	-091*	9
18	17.1	14	-081*	8
16	15.1	12	-071*	7
14	13.1	10	-061*	6
12	11.1	8	-051*	5
10	9.1	6	-041*	4
8	7.1	4	-031*	3
6	5.1	2	53254-021*	2
C	B	A	MATERIAL NO.	CKT. 極数



RELEASED EC NO: J2005-0758 DRAWN: SASAMOR 2004/09/13 CHK'D: TOJO 2004/09/13 APPR: NUKITA 2004/09/21	GENERAL TOLERANCES (UNLESS SPECIFIED)		DIMENSION STYLE MM ONLY		SCALE 5:1	DESIGN UNITS METRIC	THIRD ANGLE PROJECTION
	10 UNDER	±0.2	DRAWN BY J. SASAMO		DATE 2004/09/10		
	10 OVER 30 UNDER	±0.25	CHECKED BY K. TOJO		DATE 2004/09/10		
	30 OVER	±0.3	APPROVED BY N. UKITA		DATE 2004/09/10		
	ANGULAR	±3 °	MATERIAL NO. 53254-**1*		DOCUMENT NO. SD-53254-003		
DRAFT WHERE APPLICABLE MUST REMAIN WITHIN DIMENSIONS		SIZE A3		THIS DRAWING CONTAINS INFORMATION THAT IS PROPRIETARY TO MOLEX INCORPORATED AND SHOULD NOT BE USED WITHOUT WRITTEN PERMISSION			