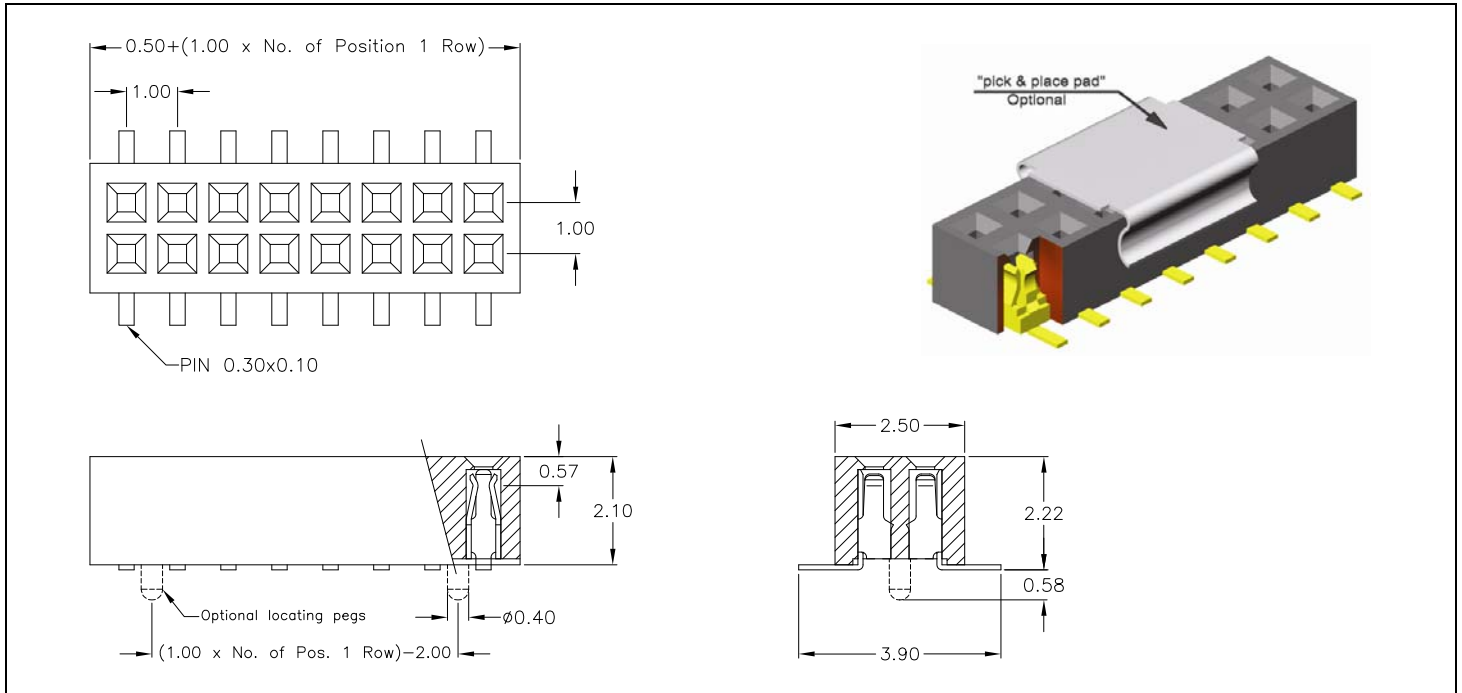


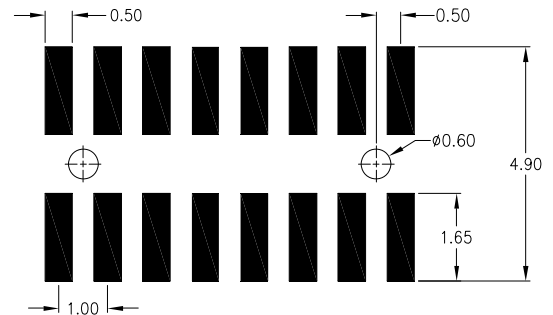
1.00mm pitch Female Header  
 - SMT - low profile dual row



**APPLICATION AND FEATURES**

- **Standard: tube packing, without "locating pegs" and without "pick & place pad"**
- Assures reliable PC Board connections
- Fine pitch, low profile for space saving Application
- Accept 0.30mm square Pin Header

**PCB Surface Mount Layout**



**SPECIFICATIONS**

Current rating	1 A	Operating temperature	- 40°C to +105°C
Insulator resistance	100 MΩ min.	Processing temperature	+250°C +0/-5°C for 10sec.
Contact resistance	20 mΩ max.	Contact material	(RoHS compliant) Phosphor Bronze
Withstanding voltage	500 V AC	Insulator material	(RoHS compliant) LCP UL 94 V-0

**How to order**

BS2 - xxx - H222 - 55 /00 X

