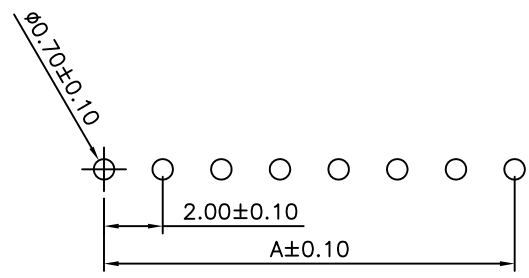
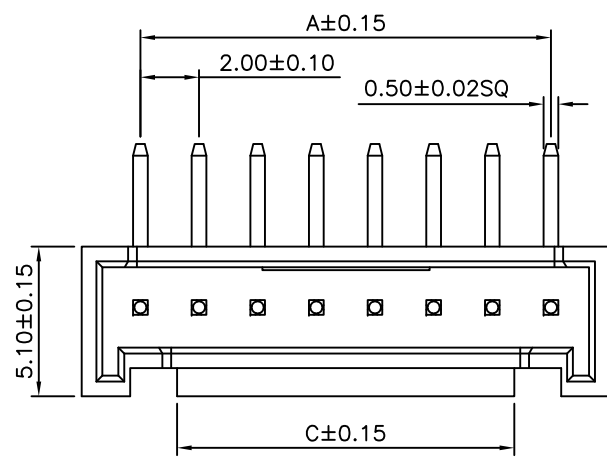
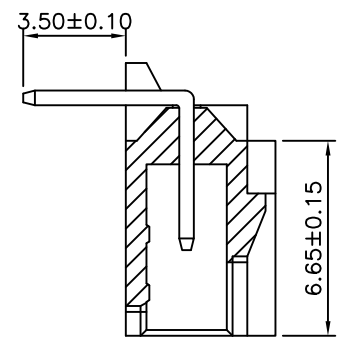
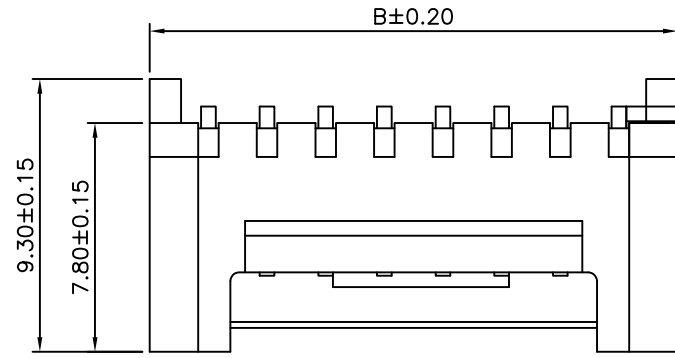


SPECIFICATIONS

Current Rating:2A AC,DC
 Voltage Rating:250V AC,DC
 Withstanding Voltage:1000V AC/Minute
 Contact Resistance:10Milliohms Max.
 Insulator Resistance:1000Megohms Min.
 Operating Temperature:-25°C~+85°C
 Soldering Area Of Soldering:95% Min.
 Temperature:235^{±5} °C,Time:2.5±0.5 Sec
 Insulator:PA66(UL 94V-0)
 Pin:Brass,Tin Plated



Suggested PCB Layout
Component Side

| Poles | Dimensions | | |
|-------|------------|-------|-------|
| | A | B | C |
| 2 | 2.00 | 6.00 | 2.80 |
| 3 | 4.00 | 8.00 | 3.20 |
| 4 | 6.00 | 10.00 | 3.50 |
| 5 | 8.00 | 12.00 | 5.50 |
| 6 | 10.00 | 14.00 | 7.50 |
| 7 | 12.00 | 16.00 | 9.50 |
| 8 | 14.00 | 18.00 | 11.50 |
| 9 | 16.00 | 20.00 | 13.50 |
| 10 | 18.00 | 22.00 | 15.50 |
| 11 | 20.00 | 24.00 | 15.50 |
| 12 | 22.00 | 26.00 | 15.50 |
| 13 | 24.00 | 28.00 | 15.50 |
| 14 | 26.00 | 30.00 | 15.50 |
| 15 | 28.00 | 32.00 | 15.50 |

| | | | | |
|-------------------|----|----------------|----|---|
| CATEGORY | | APPROVED BY | | UNLESS OTHERWISE SPECIFIED TOLERANCES ARE .X ±0.25 .XX ±0.15 .XXX ±0.05 ANG: |
| PART No. YEXXR | | MEI | | |
| DRAWING No. YEXXR | | CHECKED BY HZF | | |
| SCALE NONE | | DRAWING BY JLT | | |
| REV. | A0 | UNIT | mm | NO. REV. |

| | | | |
|----------|-------------|-----|------------|
| △ A0 | NEW RELEASE | HZF | 07/22/2007 |
| NO. REV. | REVISIONS | CHK | DATE |