

TDK L.C.MODULE FOR LAN

TLA-3M103(-T) FOR ISO8802.3(IEEE802.3) 10BASE-T
16PIN(2.54mm PITCH) SMT PACKAGE

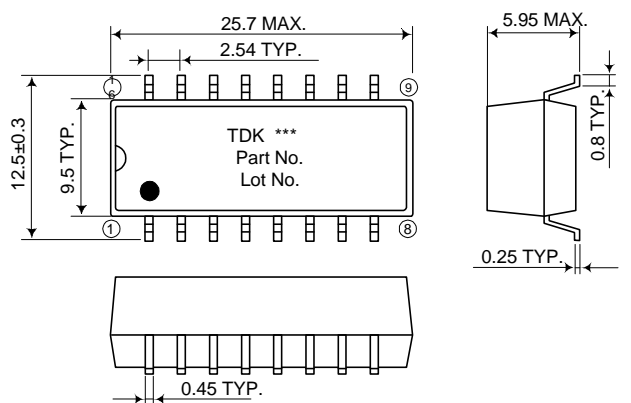
FEATURES

- PULSE TRANSFORMER,(TURNS RATIO TX 1CT:1CT,RX 1CT:1CT), COMMON MODE CHOKE AND L.P.FILTER ARE INTEGRATED INTO 16PIN SOP PACKAGE
- EXCELLENT C.M.R.R. AND FILTERING FOR EMI
- HIGH RELIABILITY(TRANSFER MOLDED PACKAGE)
- SUITABLE FOR USE WITH MOST 10BASE-T TRANSCEIVER CHIPS
- TAPE & REEL AVAILABLE (TLA-3M103-T ; TAPE&REEL, TLA-3M103 ; BULK)

GENERAL SPECIFICATIONS

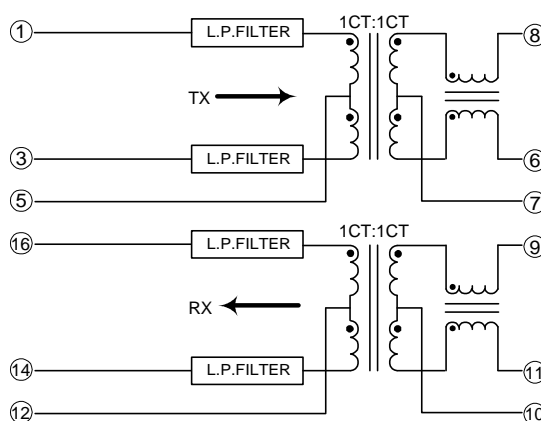
| | |
|-----------------------|-------------------|
| OPERATING TEMPERATURE | : 0 ~ +70°C |
| STORAGE TEMPERATURE | : -40 ~ +85°C |
| WITHSTANDING VOLTAGE | : 1500Vrms 60sec. |

DIMENSIONS



UNIT : mm
*** : COUNTRY OF ORIGIN

SCHEMATICS



N.C. PIN ② ④ ⑬ ⑮

ELECTRICAL CHARACTERISTICS

T_a=25°C

| PART NUMBER | INSERTION LOSS | ATTENUATION | IMPEDANCE | CMRR |
|---------------|----------------|-------------|------------|-----------|
| | 5~10MHz | 30~100MHz | 5~10MHz | 1~100MHz |
| | ①③-⑧⑥ | ①③-⑧⑥ | ①-③, ⑧-⑥ | ①③-⑧⑥ |
| | ⑨⑪-⑯⑭ | ⑨⑪-⑯⑭ | ⑯-⑭, ⑨-⑪ | ⑯⑭-⑨⑪ |
| | (dB) MAX. | (dB) MIN. | (ohm) TYP. | (dB) MIN. |
| TLA-3M103(-T) | 1.0 | 25 | 100 , 100 | 25 |
| | 1.0 | 25 | 100 , 100 | 25 |

SPECIFICATIONS ARE SUBJECT TO CHANGE WITHOUT NOTICE