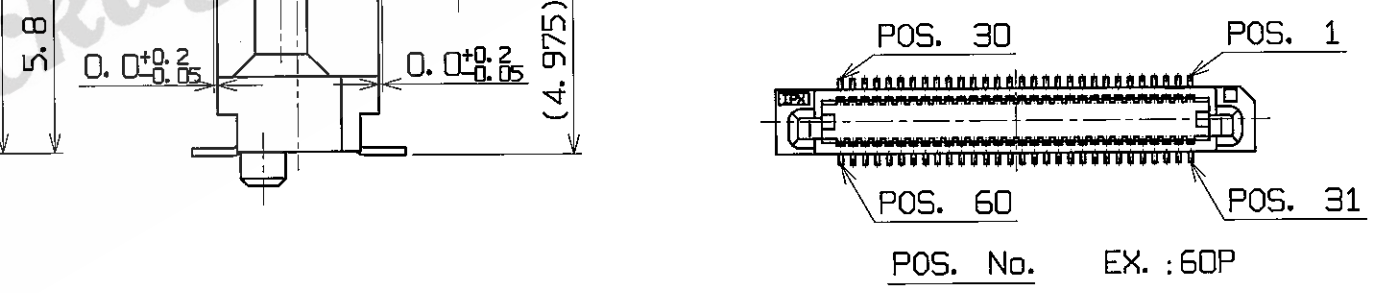
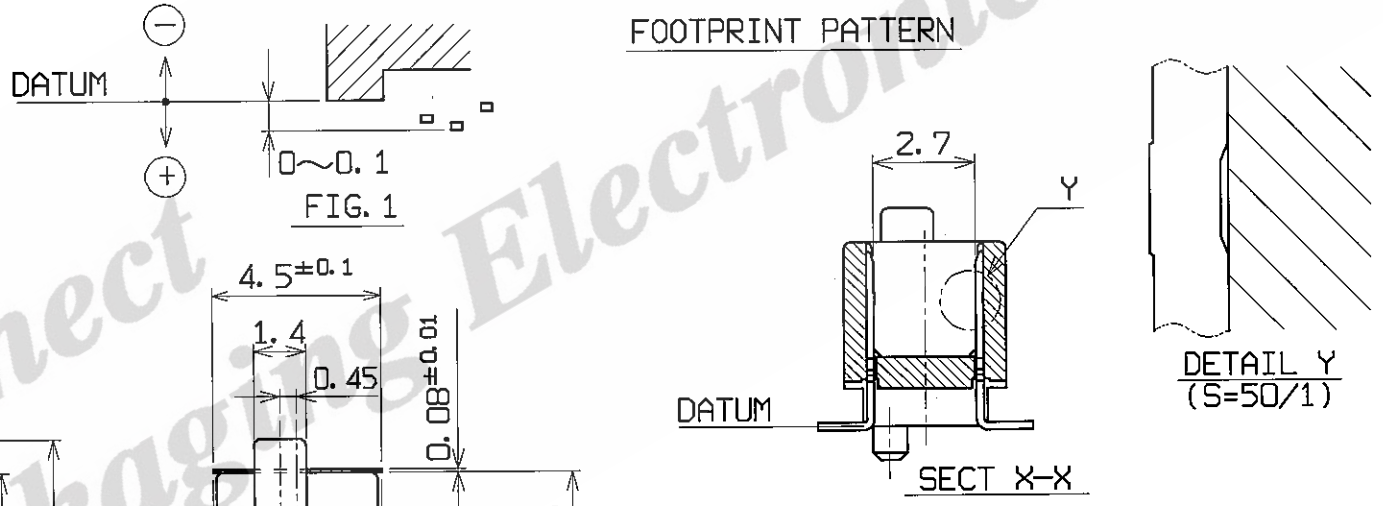
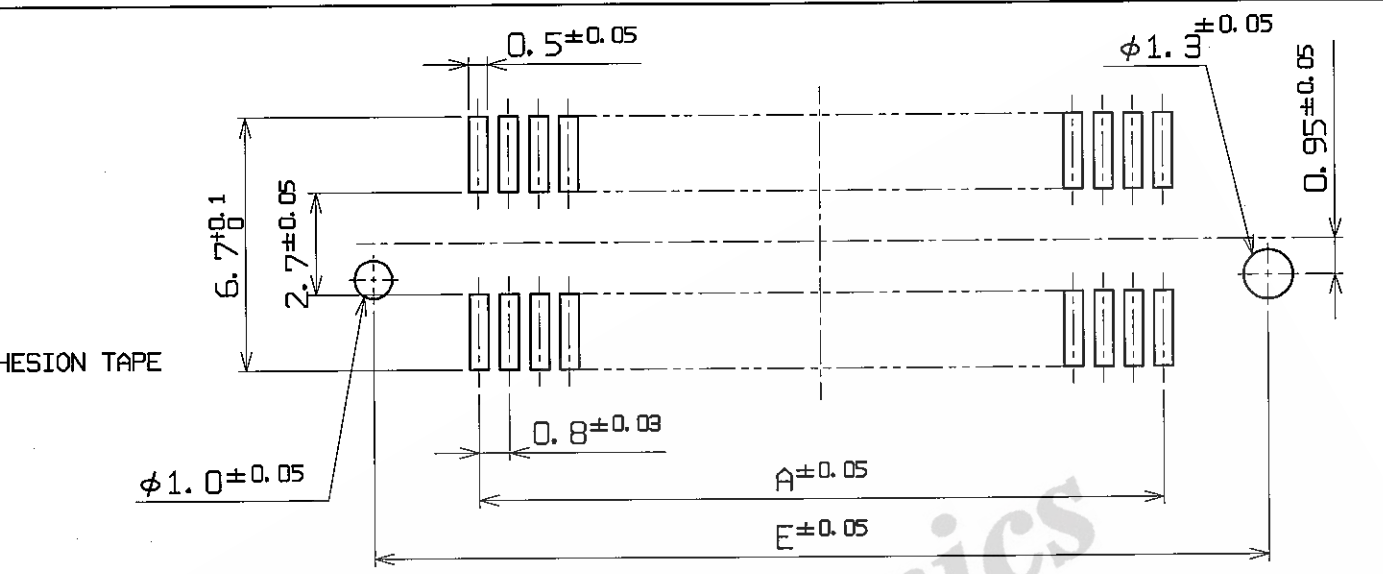
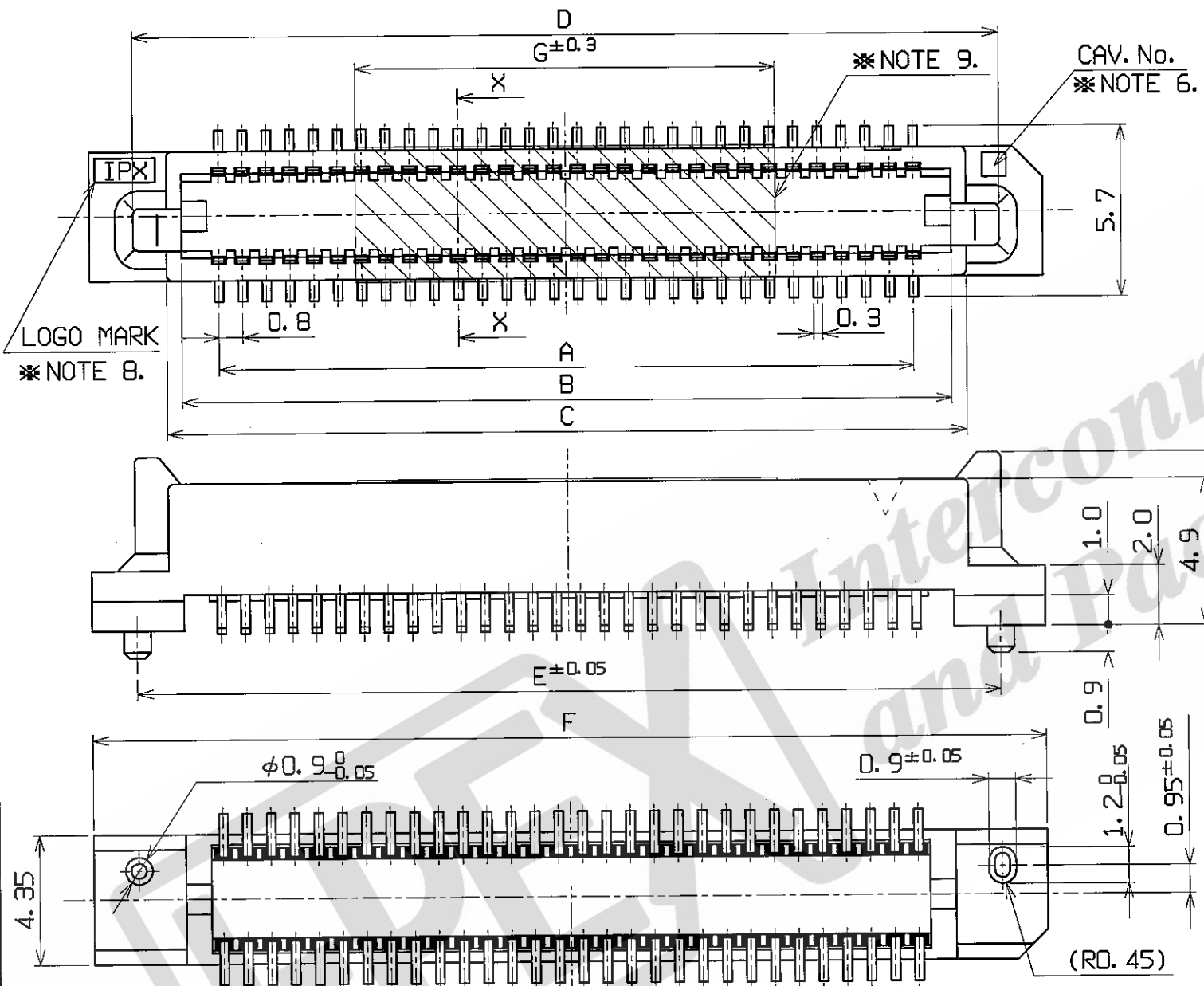


20002-100-##F	100	39.2	41.7	42.7	44.9	44.8	47.8	14.0
20002-080-##F	80	31.2	33.7	34.7	36.9	36.8	39.8	
20002-060-##F	60	23.2	25.7	26.7	28.9	28.8	31.8	
20002-050-##F	50	19.2	21.7	22.7	24.9	24.8	27.8	
20002-040-##F	40	15.2	17.7	18.7	20.9	20.8	23.8	
20002-030-##F	30	11.2	13.7	14.7	16.9	16.8	19.8	
20002-020-##F	20	7.2	9.7	10.7	12.9	12.8	15.8	
20002-012-##F	12	4.0	6.5	7.5	9.7	9.6	12.6	
PART No.	PIN	A	B	C	D	E	F	G

PART NO.	PIMPLE
20002-...*-00F	NO
20002-...*-01F	YES

☆EXAMPLE
 20002-060-##F : TUBE PACKAGE
 20002-060E-0#F : EMBOSS TAPING PACKAGE (ONLY 12~80 POS.)
 20002-060E-1#F : EMBOSS TAPING PACKAGE WITHOUT ADHESION TAPE (ONLY 12~80 POS.)



		DIM 'H'		
PLUG	RECE	S(20004)	M(20005)	L(20006)
S(20001)		5.0	6.0	7.0
M(20002)		6.0	7.0	8.0
L(20003)		7.0	8.0	9.0

NOTES
 1. MATERIAL/FINISH
 INSULATOR : GLASS REINFORCED LCP UL94V-0 (NATURAL)
 CONTACT : COPPER ALLOY UNDER PLATED NI 1.27μm MIN.
 CONTACT AREA : Au PLATED 0.5μm MIN.
 OTHERS : Au PLATED 0.03~0.07μm
 ADHESION TAPE : PI t=0.08±0.01

2. CURRENT RATING 0.5A
 3. WITHSTANDING VOLTAGE AC300V 1MINUTE
 4. INSULATION RESISTANCE DC250V 1,000MΩMIN.
 5. CONTACT RESISTANCE 40mΩMAX.
 *6. CAV. No. (A, B...)
 7. 20002-...-0#F : SEE 300-454 OF THE PACKING STANDARD.
 20002-0-#E-0#F : SEE 300-456 OF THE PACKING STANDARD.
 *8. LOGO MARK INCLUDE THE INSC. BASE.
 *9. ADHESION TAPE FOR EMBOSS TAPING PACKAGE.

DESIGN'D BY	DATE	I-PEX Interconnect and Packaging Electronics TOKYO, JAPAN	TOL. ±0.3 , ±2'	TITLE VARISTACK PLUG(MIDDLE)		
M. TSUTSUMI	07/07/94					
CHK'D BY	DATE	SCALE	UNIT	DWG. No.		
Y. H	07/08/94					
APP'D BY	DATE	PROJECTION	SHEET	REV.		
Y. FUKUDA	07/11/94					
REV. RECORD	CUSTOMER COPY	5/1	mm	20002	1/1	19
SERIES No.	2011					